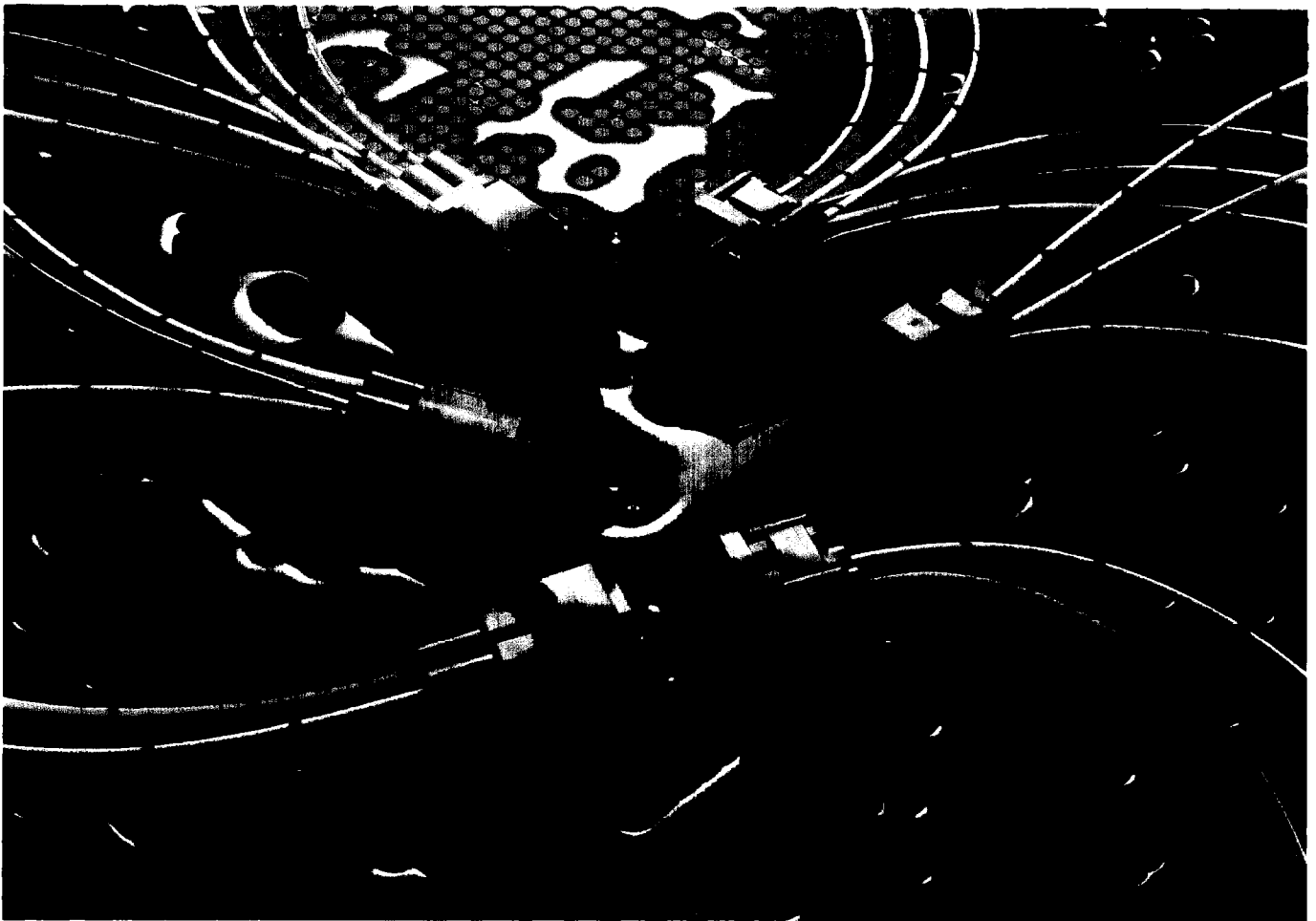


090-II SEALED CONN.



090-II SEALED CONNECTOR

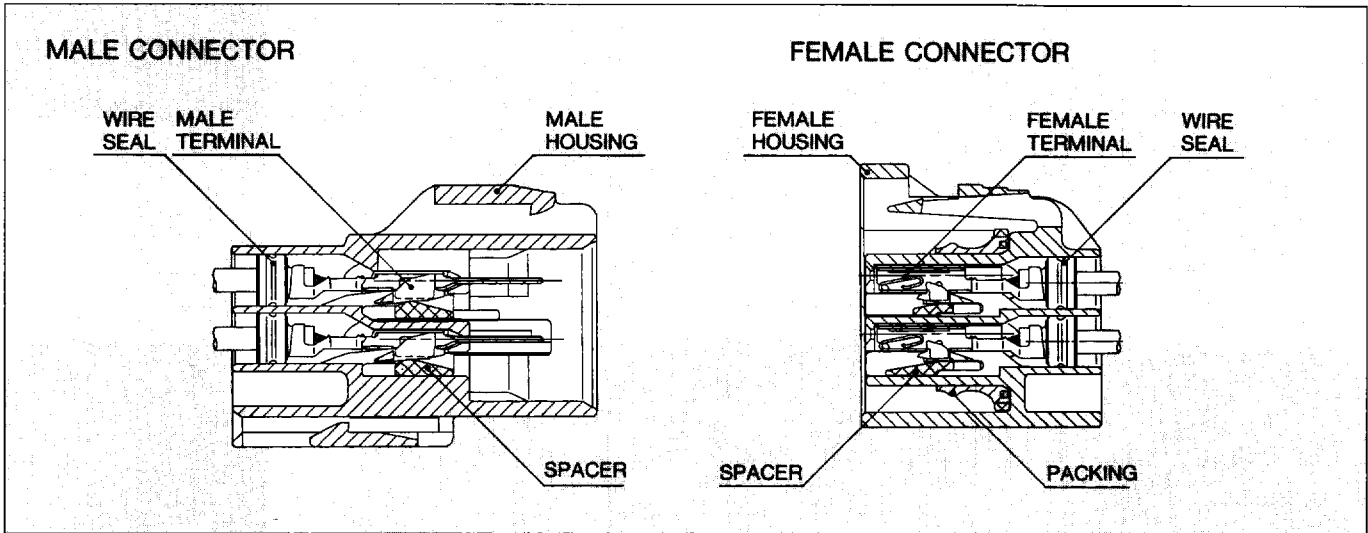
IMPROVED DESIGN OF THE 090 SIZE SEALED CONNECTOR FOR HIGHER RELIABILITY.

THE BLADE WIDTH OF THE MALE TERMINAL FOR THIS CONNECTOR IS 0.090 INCHES.

(DISTINCTIVE FEATURES)

- 1. DOUBLE TERMINAL LOCKING SYSTEM ELIMINATES TERMINAL PUSH-OUT. (HOUSING LANCE, SIDE LOCK).**
- 2. CONNECTORS CANNOT BE MATED IF PRESET TERMINAL SPACER IS NOT IN THE FULL-LOCK POSITION.**

CONSTRUCTION



SPECIFICATIONS

MATERIAL	HOUSING	NYLON46 AND NYLON66 AND PBT
	MALE TERMINAL	BRASS (TIN PLATING)
	FEMALE TERMINAL	BRASS (TIN PLATING). COPPER ALLOY (TIN PLATING)
*CURRENT CAPACITY (REFERENCE)		10A
RESISTANCE AT LOW VOLTAGE		3mΩ MAX. (INITIAL VALUE)
INSULATION RESISTANCE		DC500V 100MΩ MIN.
DIELECTRIC STRENGTH		AC1000V (1 min.)

*CURRENT CAPACITY WILL BE AFFECTED BY CONDITIONS SUCH AS POLE QUANTITY, WIRE SIZE, AMBIENT TEMPERATURE, ETC.

PART NUMBER CHART

PART NAME	MALE TERMINAL	FEMALE TERMINAL
TERMINAL	7114-4025	7116-4025
	7114-4026	7116-4026
	7114-4027	7116-4027

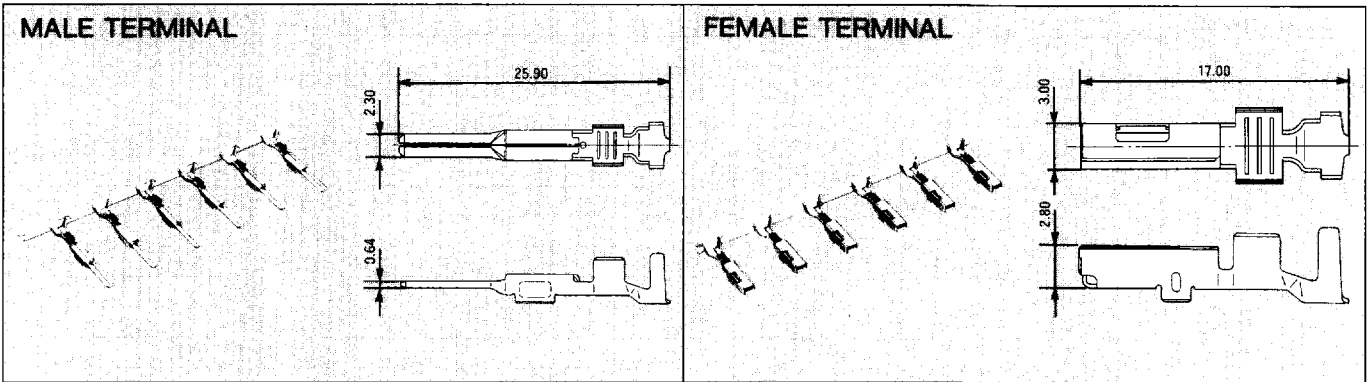
PART NAME	COMMON FOR MALE AND FEMALE
WIRE SEAL	7157-3821
	7157-3646
	7157-3648
	7157-8761 (CAVITY PLUG)
	7157-8767 (CAVITY PLUG)

PART NAME	POLES	MALE CONNECTOR	FEMALE CONNECTOR
HOUSING	1	_____	7283-1015-10
	1	_____	7283-1018
	1	_____	7283-1019
	1	_____	7283-1114
	1	7282-7010-10	7283-7010-10
	2	_____	7283-1224-10
	2	_____	7283-7024-10
	2	_____	7283-7027-40
	2	_____	7283-7929
	2	_____	7283-8220
	2	_____	7283-8226-30
	2	_____	7283-8820
	2	7282-4421	7283-4421
	2	7282-7020-10	7283-7020-10
	2	7282-7021-10	7283-7021-10
	2	7282-7022-10	7283-7022-10
	2	7282-7023-10	7283-7023-10
	2	7282-7026-40	7283-7026-40
	2	7282-7028-30	7283-7028-30
	2	7282-7029-40	7283-7029-40
	2	7282-7420-40	7283-7029-40
	2	7282-7527-40	7283-7527-40
	2	7282-8120-40	7283-7526-40
	3	_____	7283-7030-30
	3	7282-7031-10	7283-7031-10
	3	_____	7283-1133-10
	4	7282-7040-10	7283-7040-10
	5	_____	7283-1052-30
	5	_____	7283-7050-30
	5	_____	7283-7052-30
	5	_____	7283-1056-30
	5	_____	7283-1057-30
	6	_____	7283-7060-40
	6	7282-7064-40	7283-7064-40
6	7282-7062-40	7283-7062-40	
8	_____	7283-1084	
8	7282-1081-40	7283-1081-40	
8	7282-7080-40	7283-7080-40	

OTHER HOUSING COLORS ARE AVAILABLE TO MEET YOUR REQUEST.

TERMINAL

UNIT:mm

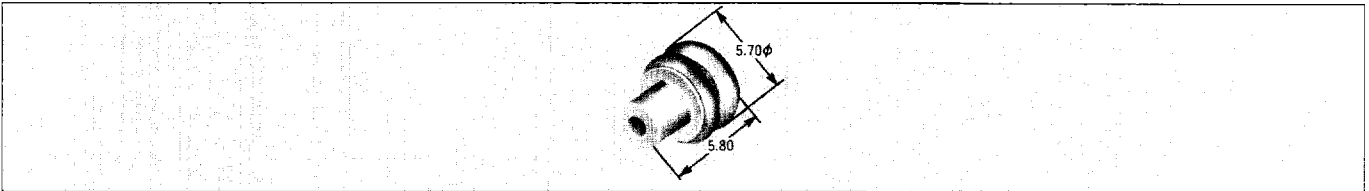


SPECIFICATIONS

PART NAME	PART NUMBER	MATERIAL	TREATMENT	MATERIAL THICKNESS
MALE TERMINAL	7114-4025	BRASS	TIN PLATING	t=0.3
	7114-4026			
	7114-4027			
FEMALE TERMINAL	7116-4025	COPPER ALLOY	TIN PLATING	t=0.25
	7116-4026			
	7116-4027			

WIRE SEAL

UNIT:mm



SPECIFICATIONS


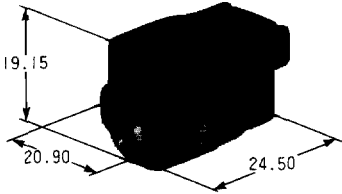

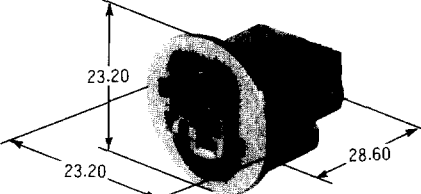

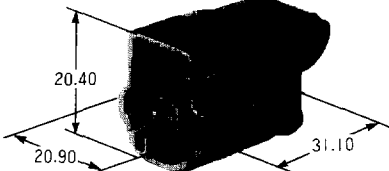

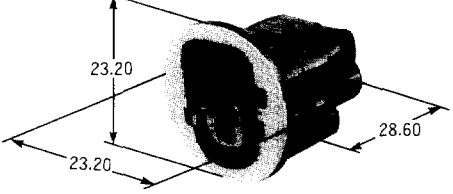
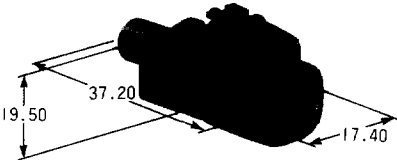
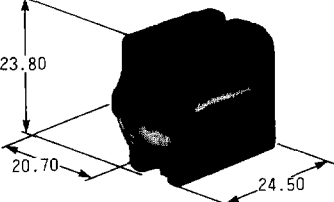

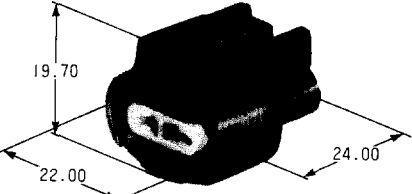
PART NAME	PART NUMBER	MATERIAL	COLOR	NOTE
WIRE SEAL	7157-3857-60	NBR	GREEN	
	7157-3821	SILICONE	DARK GREEN	
	7157-3646	SILICONE	BROWN	
	7157-3648	NBR	BLACK	
	7157-8761	SILICONE	BROWN	CAVITY PLUG
	7157-8767	NBR	BLACK	CAVITY PLUG

APPLICABLE WIRE CHART (TERMINAL·WIRE SEAL)

PART NAME	WIRE SIZE (mm ²)	WIRE TYPE	PART NUMBER	PART NUMBER OF WIRE SEAL
MALE TERMINAL	0.3	AVS	7114-4025	7157-3821
				7157-3857-60
	0.5	AVS	7114-4025	7157-3646
				7157-3648
	0.85	AVS	7114-4026	7157-3646
				7157-3648
1.25	AVS	7114-4026	7157-3646	
			7157-3648	
2f	AVSS	7114-4027	7157-3646 7157-3648	
FEMALE TERMINAL	0.3	AVS	7116-4025	7157-3821
				7157-3857-60
	0.5	AVS	7116-4025	7157-3646
				7157-3648
	0.85	AVS	7116-4026	7157-3646
				7157-3648
1.25	AVS	7116-4026	7157-3646	
			7157-3648	
2f	AVSS	7116-4027	7157-3646 7157-3648	

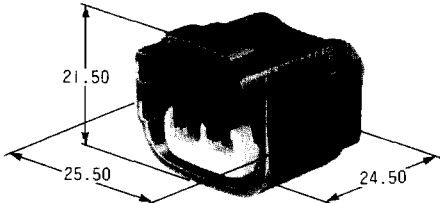
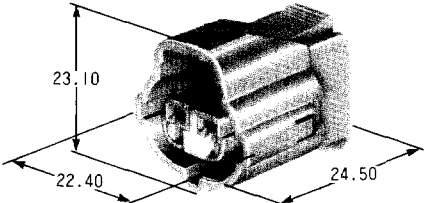
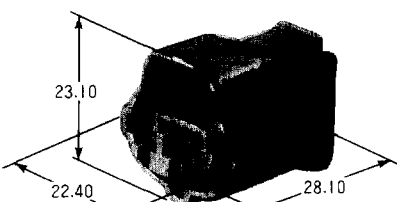
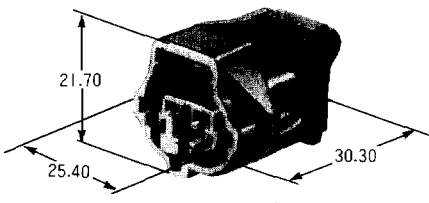
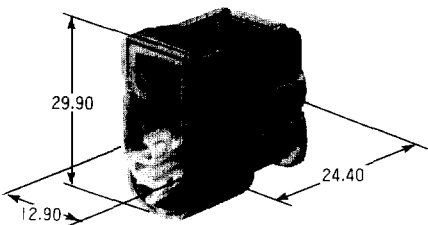
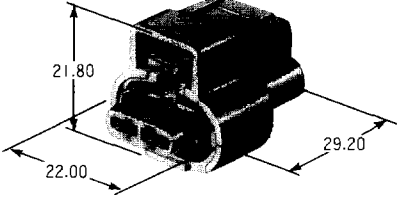
HOUSING MATERIAL:PBT

UNIT:mm

POLES	MALE HOUSING	FEMALE HOUSING
1		 <p data-bbox="1093 622 1300 656">7283-1015-10</p>
1		 <p data-bbox="1093 907 1252 940">7283-1018</p>
1		 <p data-bbox="1093 1193 1252 1227">7283-1019</p>
1		 <p data-bbox="1093 1480 1252 1514">7283-1114</p>
1	 <p data-bbox="403 1771 866 1805">7282-7010-10 (MATL.:NYLON46)</p>	 <p data-bbox="1034 1771 1497 1805">7283-7010-10 (MATL.:NYLON46)</p>
2		 <p data-bbox="1093 2054 1300 2087">7283-1224-10</p>

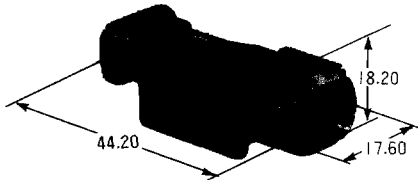
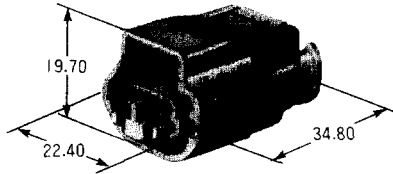
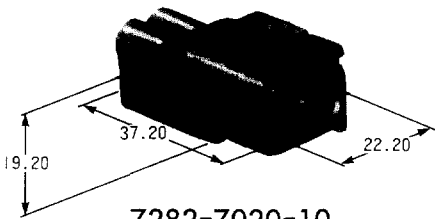
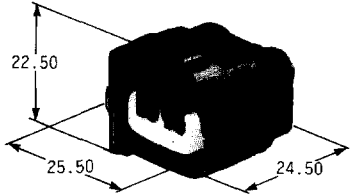
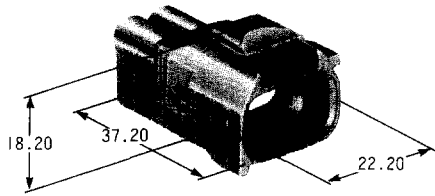
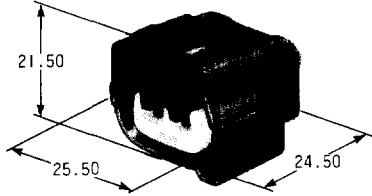
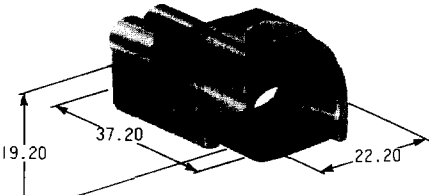
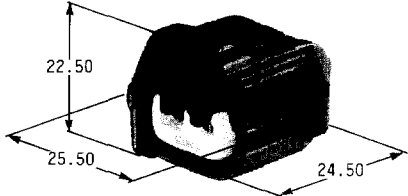
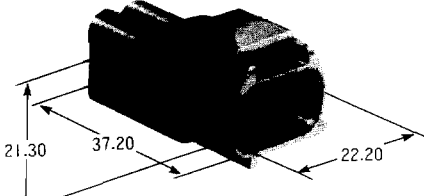
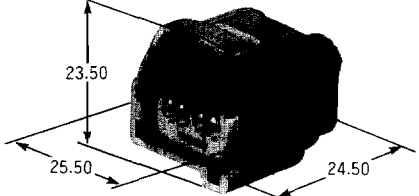
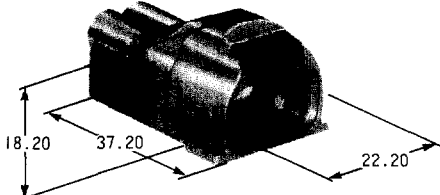
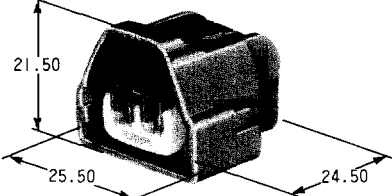
HOUSING MATERIAL: PBT

UNIT: mm

POLES	MALE HOUSING	FEMALE HOUSING
2	—	 <p>7283-7024-10</p>
2	—	 <p>7283-7027-40</p>
2	—	 <p>7283-7929</p>
2	—	 <p>7283-8220</p>
2	—	 <p>7283-8226-30</p>
2	—	 <p>7283-8820</p>

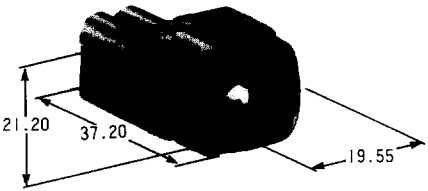
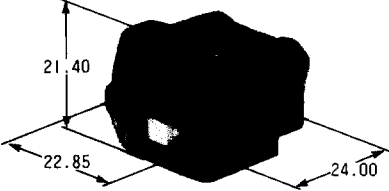
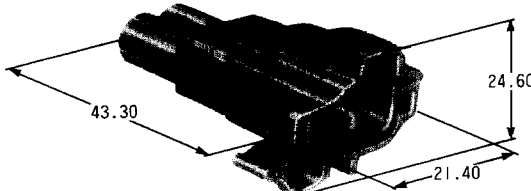
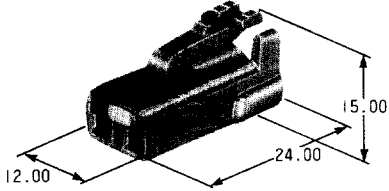
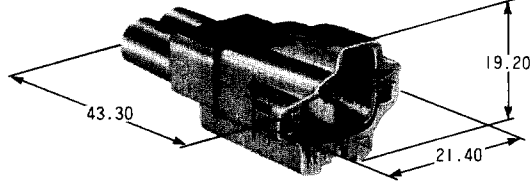
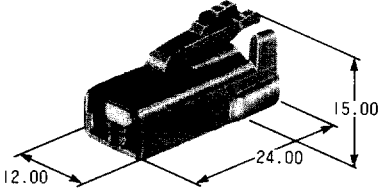
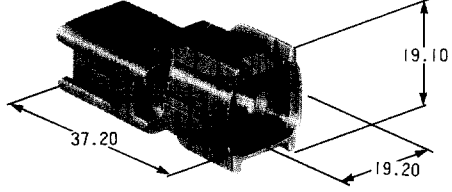
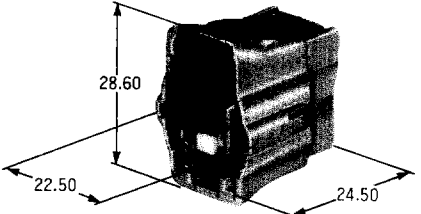
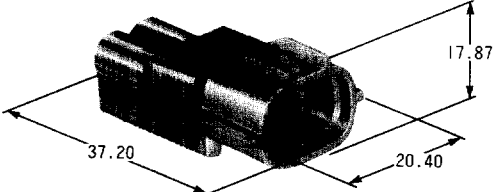
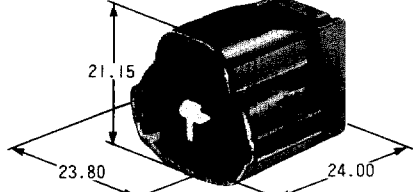
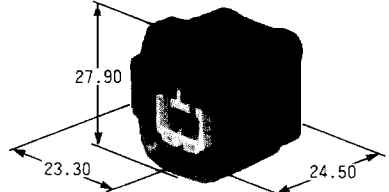
HOUSING MATERIAL: PBT

UNIT: mm

POLES	MALE HOUSING	FEMALE HOUSING
2	 <p>7282-4421</p>	 <p>7283-4421</p>
2	 <p>7282-7020-10</p>	 <p>7283-7020-10</p>
2	 <p>7282-7021-10</p>	 <p>7283-7021-10</p>
2	 <p>7282-7022-10</p>	 <p>7283-7022-10</p>
2	 <p>7282-7023-10</p>	 <p>7283-7023-10</p>
2	 <p>7282-7026-30</p>	 <p>7283-7026-30</p>

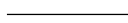
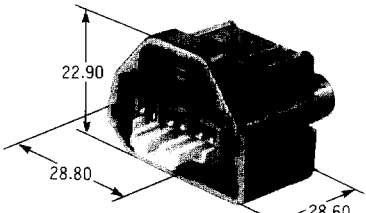
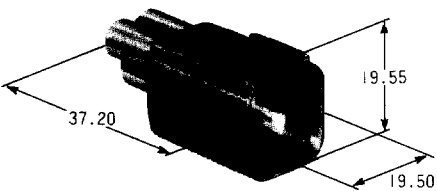
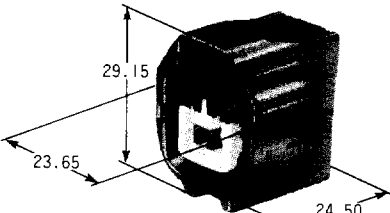
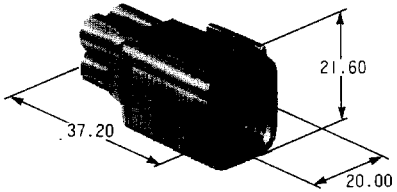
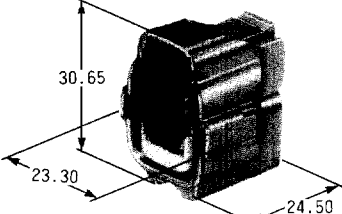
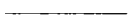
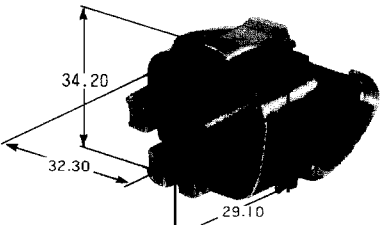

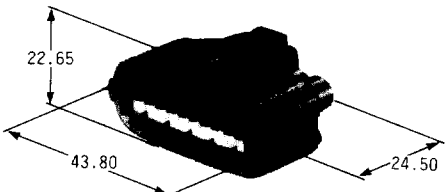

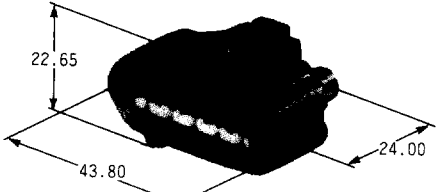
HOUSING MATERIAL : PBT

UNIT : mm

POLES	MALE HOUSING	FEMALE HOUSING
2	 <p>7282-7028-30</p>	 <p>7283-7028-30</p>
2	 <p>7282-7029-40</p>	 <p>7283-7029-40</p>
2	 <p>7282-7420-40</p>	 <p>7283-7029-40</p>
2	 <p>7282-7527-40</p>	 <p>7283-7527-40</p>
2	 <p>7282-8120-40</p>	 <p>7283-7526-40</p>
3	<p>—</p>	 <p>7283-7030-30</p>


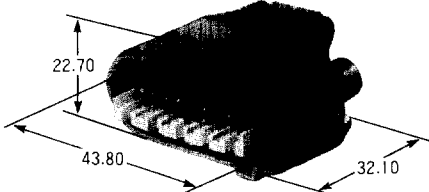

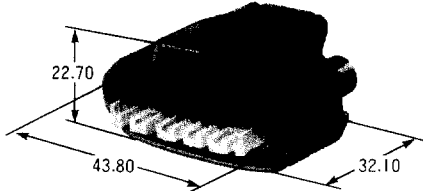
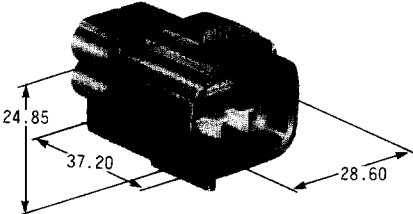
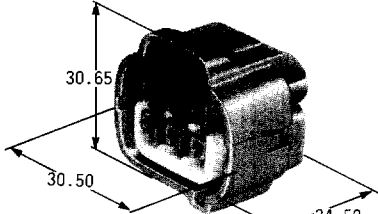
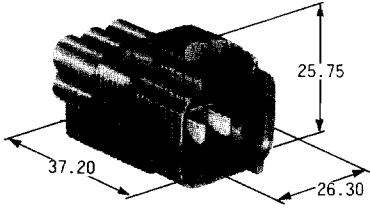
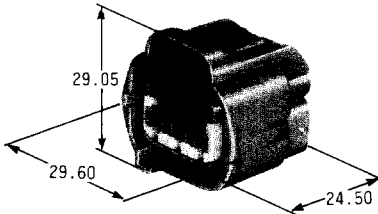

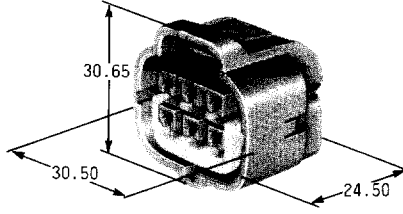

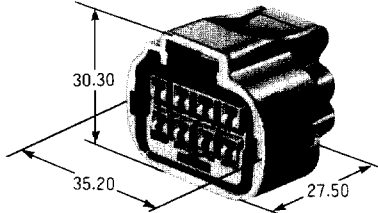
HOUSING MATERIAL : PBT

UNIT : mm

POLES	MALE HOUSING	FEMALE HOUSING
3		 <p>7283-1133-10</p>
3	 <p>7282-7031-10</p>	 <p>7283-7031-10</p>
4	 <p>7282-7040-10 (MATL.:NYLON66)</p>	 <p>7283-7040-10 (MATL.:NYLON66)</p>
5		 <p>7283-1052-30</p>
5		 <p>7283-7050-30</p>
5		 <p>7283-7052-30</p>

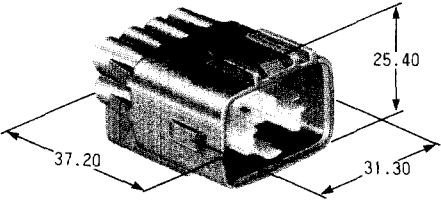
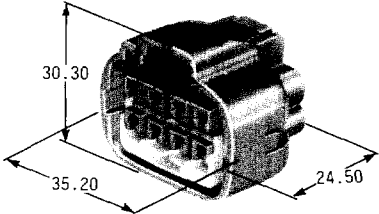
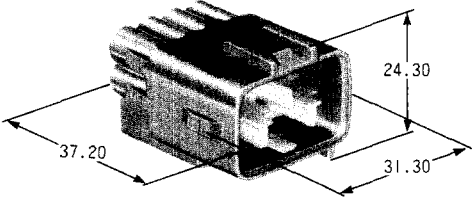
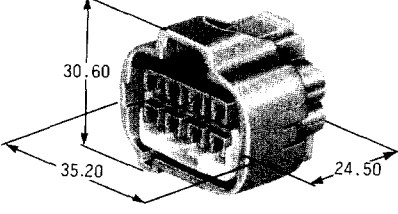
HOUSING MATERIAL: PBT

UNIT: mm

POLES	MALE HOUSING	FEMALE HOUSING
5		 <p>7283-1056-30</p>
5		 <p>7283-1057-30</p>
6	 <p>7282-7064-40</p>	 <p>7283-7064-40</p>
6	 <p>7282-7062-40</p>	 <p>7283-7062-40</p>
6		 <p>7283-7060-40</p>
8		 <p>7283-1084</p>

HOUSING MATERIAL : PBT

UNIT : mm

POLES	MALE HOUSING	FEMALE HOUSING
8	 <p>7282-1081-40</p>	 <p>7283-1081-40</p>
8	 <p>7282-7080-40</p>	 <p>7283-7080-40</p>