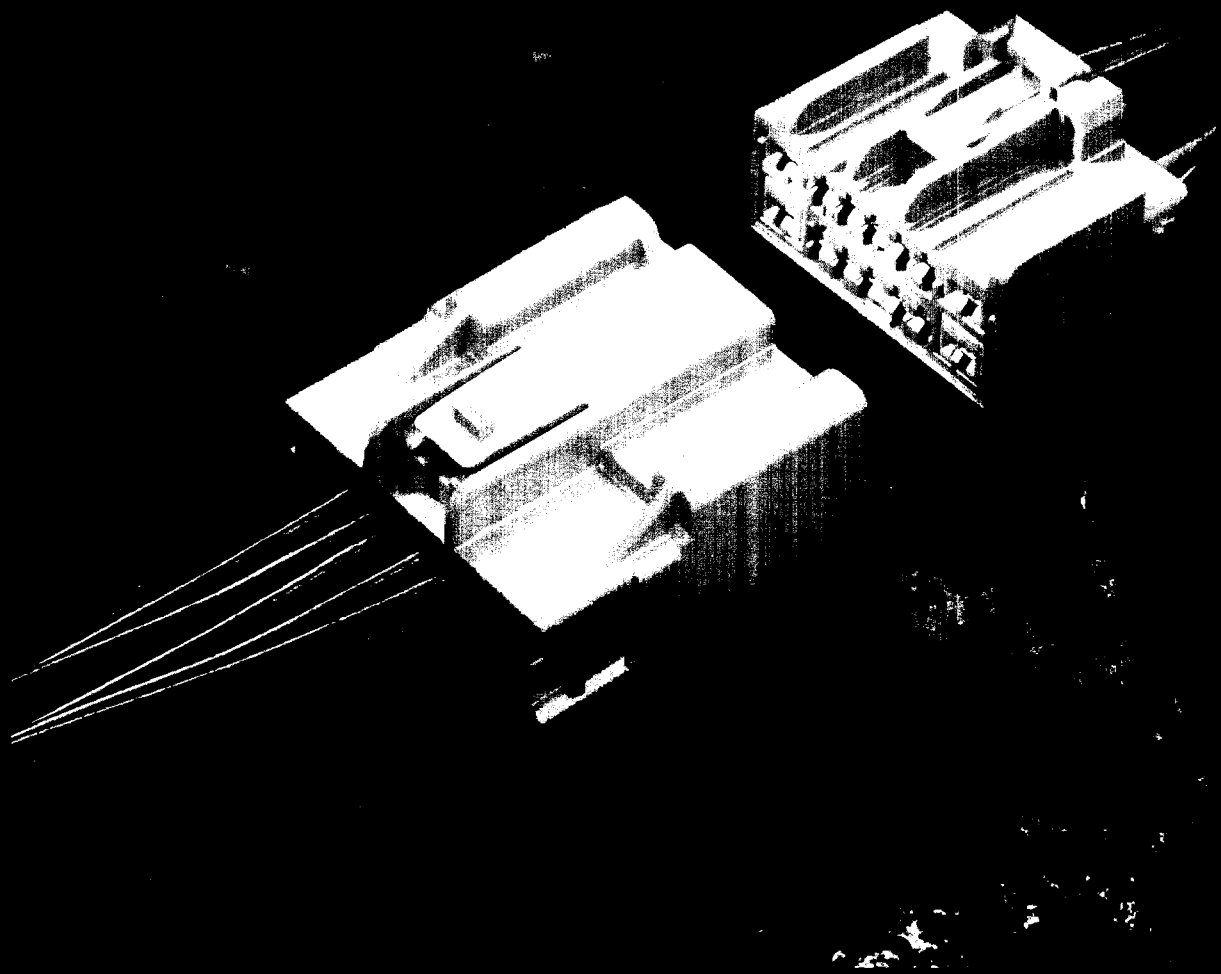


HYBRID SERIES

C O N N E C T O R S



C O N N E C T O R S

Specifications

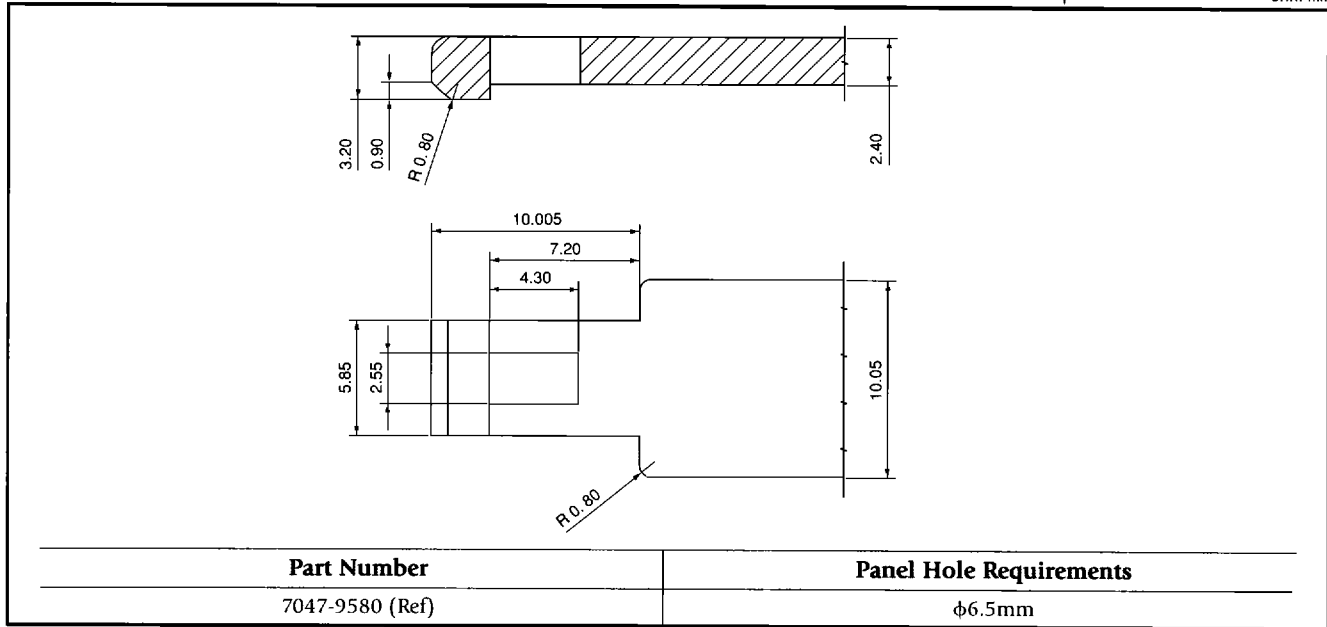
| | | |
|--|-----------------|---|
| Material | Connector | HPA |
| | Male Terminal | Copper Alloy (Sn/Au Plate) |
| | Female Terminal | Copper Alloy (Sn/Au Plate) |
| Operating Temperature Range | | -40°C ~ 125°C (145°C max temp.) (USCAR Class III) |
| Current Capacity | | (See Chart) |
| Voltage Drop | | 10mΩ Max (Term./Term.) (Crimp-To-Crimp) |
| Isolation Resistance | | 500VDC, 20MΩ Min |
| Dielectric Resistance | | 1000VAC (1 min.) |
| Applicable Wire Size | | 22AWG ~ 12AWG (0.35mm ² ~ 4.0mm ²) |
| Terminal-to-Connector Retention Force | | 90N Min |
| Connector-to-Connector Retention Force | | 110N Min |

Terminal

| Description | Part Number | Plating | Applicable Wire Size | | |
|------------------|-----------------|------------------|---------------------------|--------------|--------------------------|
| | | | Europe (mm ²) | U.S.A. (AWG) | Japan (mm ²) |
| Male Terminal | 1.5mm | 7114-4100-02/-08 | 0.35 ~ 0.5 | 22 ~ 20 | 0.3 ~ 0.5 |
| | | 7114-4101-02/-08 | 0.75 ~ 1.0 | 18 ~ 16 | 0.85 ~ 1.25 |
| | 2.8mm | 7114-4110-02 | 0.35 ~ 0.5 | 22 ~ 20 | 0.3 ~ 0.5 |
| | | 7114-4111-02 | 0.75 ~ 1.0 | 18 ~ 16 | 0.85 ~ 1.25 |
| | | 7114-4112-02 | 1.5 ~ 2.5 | 14 | 2.0 |
| | 6.3mm | 7114-4120-02 | 0.5 ~ 1.0 | 20 ~ 16 | 0.5 ~ 1.25 |
| | | 7114-4121-02 | 1.5 ~ 2.5 | 14 | 2.0 |
| | | 7114-4122-02 | 4.0 | 12 | 3.0 |
| | Female Terminal | 1.5mm | 7116-4100-02/-08 | 0.35 ~ 0.5 | 22 ~ 20 |
| 7116-4101-02/-08 | | | 0.75 ~ 1.0 | 18 ~ 16 | 0.85 ~ 1.25 |
| 2.8mm | | 7116-4110-02 | 0.35 ~ 0.5 | 22 ~ 20 | 0.3 ~ 0.5 |
| | | 7116-4111-02 | 0.75 ~ 1.0 | 18 ~ 16 | 0.85 ~ 1.25 |
| | | 7116-4112-02 | 1.5 ~ 2.5 | 14 | 2.0 |
| 6.3mm | | 7116-4120-02 | 0.5 ~ 1.0 | 20 ~ 16 | 0.5 ~ 1.25 |
| | | 7116-4121-02 | 1.5 ~ 2.5 | 14 | 2.0 |
| | | 7116-4122-02 | 4.0 | 12 | 3.0 |

Retainer Clip/Bracket Dimensions

UNIT: mm



Part Number Summary Chart

| Part Name | | Male | Female |
|-----------------|-------|------------------|------------------|
| Terminal | 1.5mm | 7114-4100-02/-08 | 7116-4100-02/-08 |
| | | 7114-4101-02/-08 | 7116-4101-02/-08 |
| | 2.8mm | 7114-4110-02 | 7116-4110-02 |
| | | 7114-4111-02 | 7116-4111-02 |
| | | 7114-4112-02 | 7116-4112-02 |
| | 6.3mm | 7114-4120-02 | 7116-4120-02 |
| 7114-4121-02 | | 7116-4121-02 | |
| Applicable Clip | | 7047-9580 (Ref) | N/A |



**Part Number
Summary Chart (cont.)**

| Pole | Polarity | Color/Description | Male Part # | Female Part # |
|------|----------|-----------------------------|--------------|---------------|
| 3 | A | Light Grey 1x1.5, 2x6.3 | 7282-5628-40 | 7283-5628-40 |
| 8 | A | Light Grey 6x1.5, 2x2.8 | 7282-5620-40 | 7283-5620-40 |
| 10 | A | Light Grey 6x1.5, 4x2.8 | 7282-5621-40 | 7283-5621-40 |
| 10 | A | Natural 6x1.5, 4x2.8 | 7282-5621 | 7283-5621 |
| 13 | A | Light Grey 11x2.8, 2x6.3 | 7282-5625-40 | 7283-5625-40 |
| 14 | A | Light Grey 10x1.5, 4x2.8 | 7282-5622-40 | 7283-5622-40 |
| 14 | B | Green 10x1.5, 4x2.8 | 7282-5623-60 | 7283-5623-60 |
| 14 | B | Black 10x1.5, 4x2.8 | 7282-5623-30 | 7283-5623-30 |
| 14 | C | Blue 10x1.5, 4x2.8 | 7282-5624-90 | 7283-5624-90 |
| 14 | C | Brown 10x1.5, 4x2.8 | 7282-5624-80 | 7283-5624-80 |
| 26 | A | Black 20x2.8, 6x6.3 | N/A | 7283-5631-30 |
| 26 | B | Light Grey 20x2.8, 6x6.3 | N/A | 7283-5632-40 |

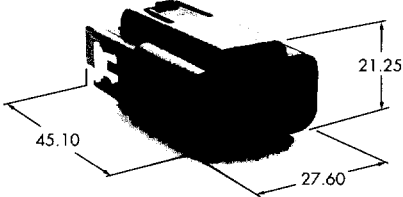
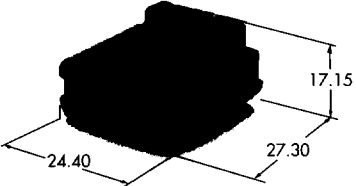
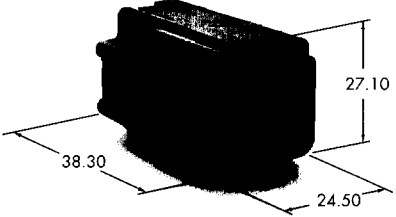
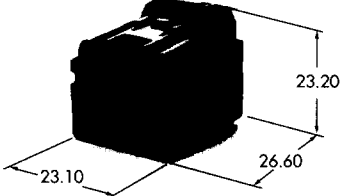
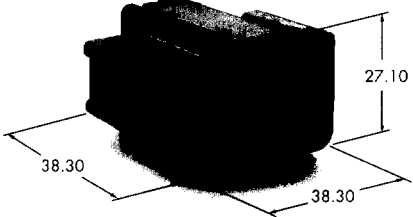
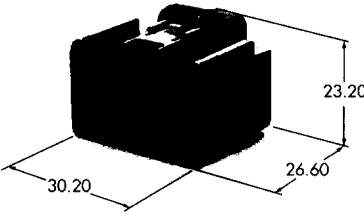
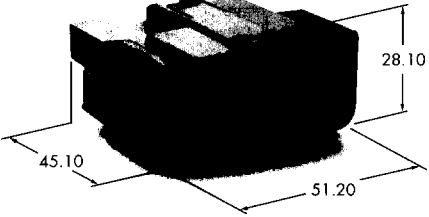
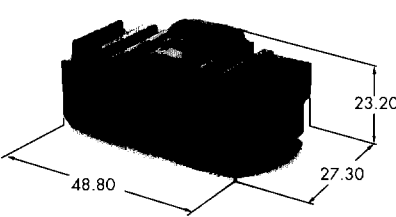
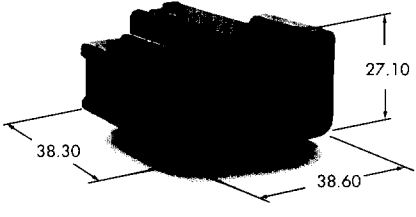
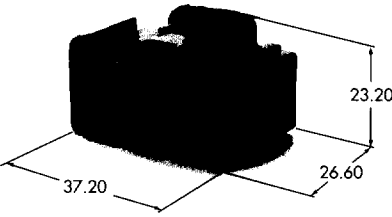
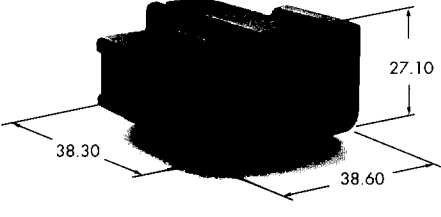
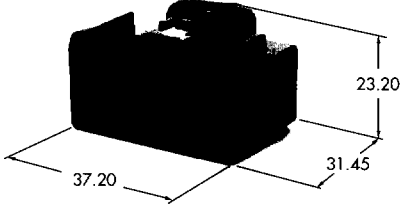
***Applicable Terminal Removal Tool/Dimensions**

Refer to Page 53 for YESC Connector Terminal Removal Tool.
Order Number: X39899-J374 (for 1.5 and 2.8 terminal) and
G0406 (PA Type) (for 6.3 terminal).



Housing Material: HPA

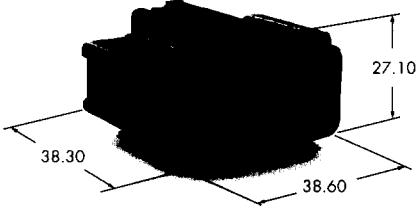
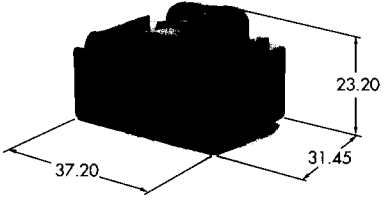
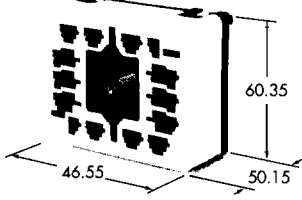
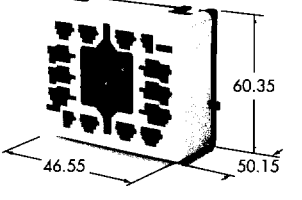
UNIT: mm

| Poles | Male Housing | Female Housing |
|-------|--|---|
| 3 |  <p>7282-5628-40</p> |  <p>7283-5628-40</p> |
| 8 |  <p>7282-5620-40</p> |  <p>7283-5620-40</p> |
| 10 |  <p>7282-5621-40</p> |  <p>7283-5621-40</p> |
| 13 |  <p>7282-5625-40</p> |  <p>7283-5625-40</p> |
| 14 |  <p>7282-5622-40</p> |  <p>7283-5622-40</p> |
| 14 |  <p>7282-5623-60</p> |  <p>7283-5623-60</p> |



Housing Material: HPA

UNIT: mm

| Poles | Male Housing | Female Housing |
|-------|--|---|
| 14 |  <p>7282-5624-90</p> |  <p>7283-5624-90</p> |
| 26 | N/A |  <p>7283-5631-30</p> |
| 26 | N/A |  <p>7283-5632-40</p> |

