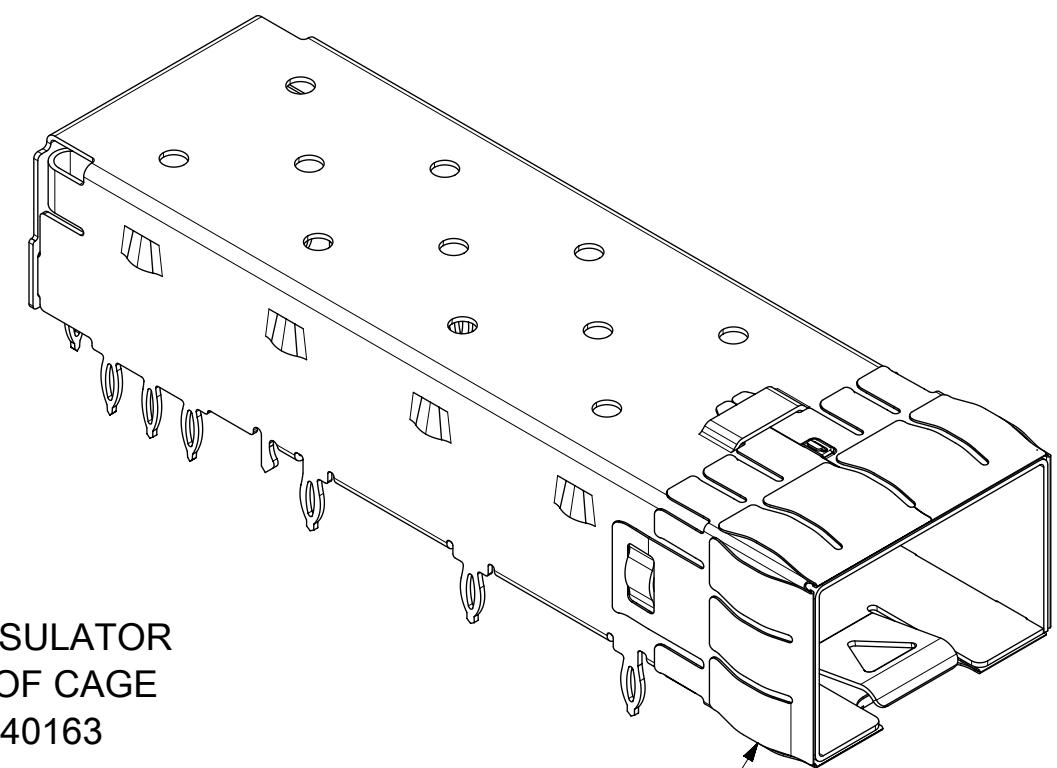
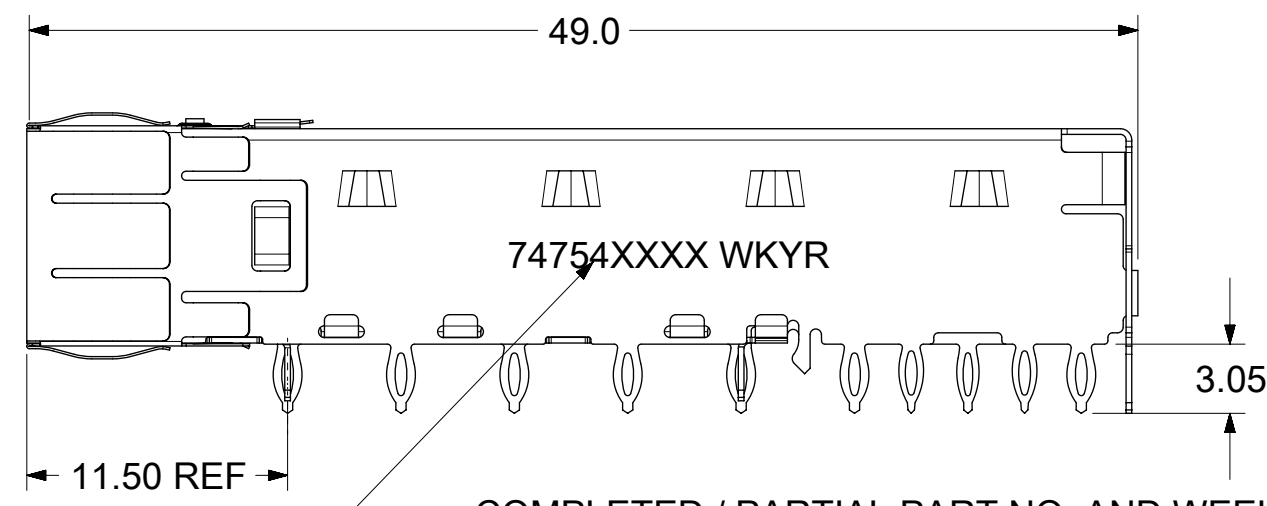
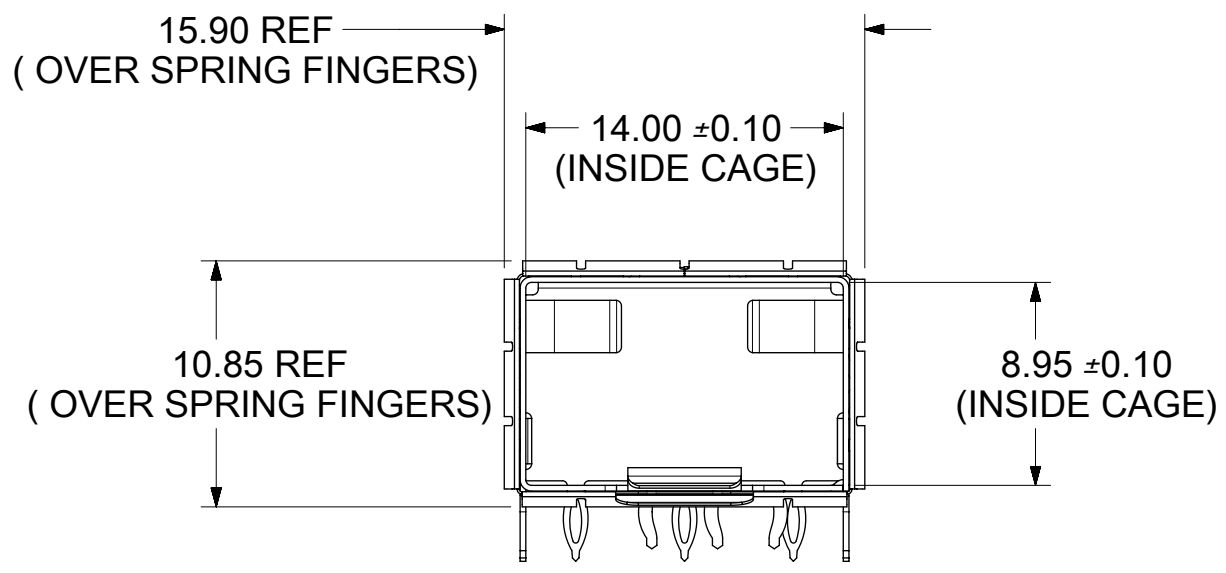


OPTIONAL POLYIMIDE INSULATOR ATTACHED TO BOTTOM OF CAGE MATERIAL NUMBER 747540163 REFERENCE



EMI SPRING FINGER

SFP+ 1X1 CAGE					
PART NO.	POLYIMIDE INSULATOR	WELD POINT QUANTITY	PACKAGING	PLATING	SHEET
747540101	---	0	TRAY	NICKEL	1
747540108	---	6	TRAY	NICKEL	2
747540133	---	0	TRAY	MATT-TIN	1
747548101	---	0	TAPE & REEL	NICKEL	1



COMPLETED / PARTIAL PART NO. AND WEEK/YEAR DATE CODE TO BE PRINTED / STAMPED ON THE SIDE OF COMPLETED CAGE ASSEMBLY APPROXIMATELY AS SHOWN.

NOTES:

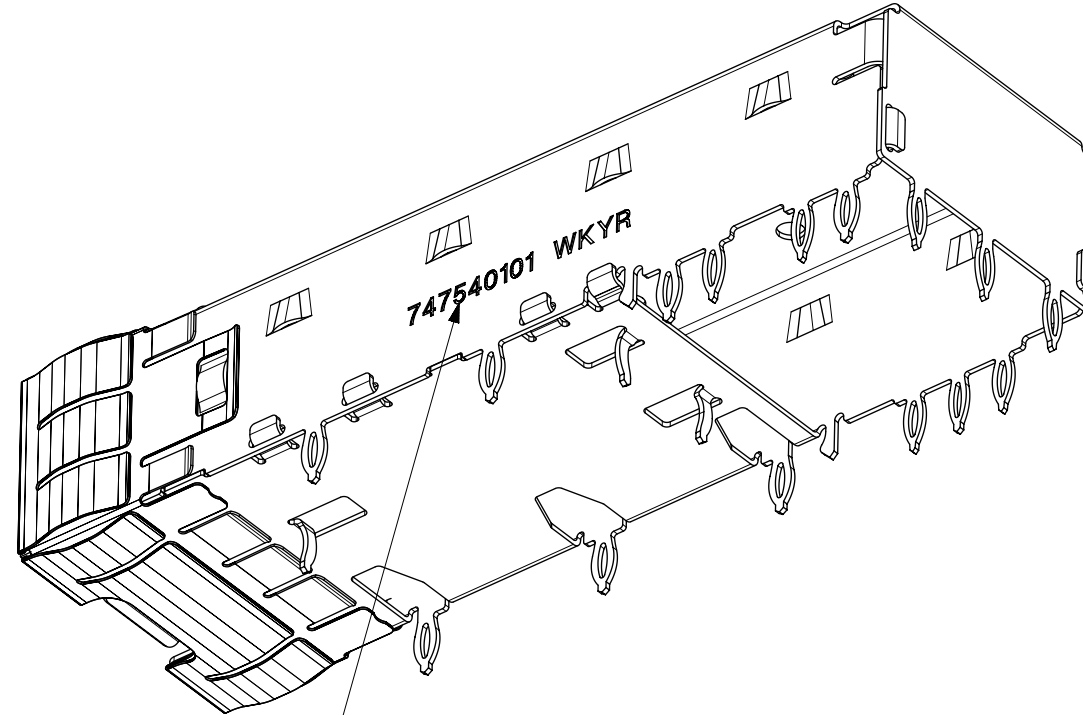
- MATERIAL:  
CAGE: COPPER ALLOY, THICKNESS 0.25mm, PLATING REFER TO TABLE.  
SPRING FINGER: NICKEL PLATED COPPER ALLOY, THICKNESS 0.10mm
- PRESS FIT LEGS 3.05 LONG -  
1.57 MINIMUM PCB THICKNESS FOR SINGLE SIDED USE
- OPTIONAL LIGHT PIPE ASSEMBLY AVAILABLE
- PORTS ARE DESIGNED FOR SFP+ TRANSCEIVERS AND ARE BACKWARDS COMPATIBLE WITH SFP TRANSCEIVERS
- NO RoHS EXEMPTIONS

WEEK/YEAR DATE CODE TABLE	
WK	01 THRU 52 OR 53 EXAMPLE: 01 = FIRST WEEK OF YEAR 52 = LAST WEEK OF YEAR
YR	18, 19, 20 ETC. EXAMPLE: YEAR 2018 = 18

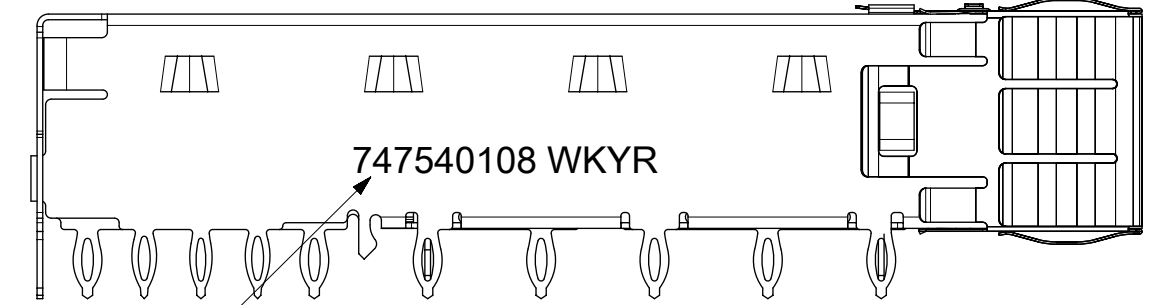
THIS DRAWING CONTAINS INFORMATION THAT IS PROPRIETARY TO MOLEX ELECTRONIC TECHNOLOGIES, LLC AND SHOULD NOT BE USED WITHOUT WRITTEN PERMISSION

DIMENSION UNITS	SCALE	CURRENT REV DESC: OBSOLETE PART NUMBER.	<b>molex</b>		
mm	3:1				
GENERAL TOLERANCES (UNLESS SPECIFIED)			SFP+ 1X1 CAGE ASSY PRESS FIT, WITH EMI SPRING FINGERS		
ANGULAR TOL	± 0.5°	EC NO: 632260	PRODUCT CUSTOMER DRAWING		
4 PLACES	±	DRWN: AKUMAR19 2020/02/06	DOCUMENT NUMBER		
3 PLACES	±	CHK'D: GGA 2020/02/28	747540101		
2 PLACES	± 0.13	APPR: GGA 2020/02/28	DOC TYPE	DOC PART	REVISION
1 PLACE	± 0.25	INITIAL REVISION:	PSD	ASY	M1
0 PLACES	±	DRWN: MAZAM 2017/01/16	MATERIAL NUMBER		
DRAFT WHERE APPLICABLE MUST REMAIN WITHIN DIMENSIONS			CUSTOMER		
THIRD ANGLE PROJECTION			GENERAL MARKET		
DRAWING			SHEET NUMBER		
C-SIZE			74754		
SERIES			1 OF 6		

747540108



MOLEX INTERNAL USE ONLY



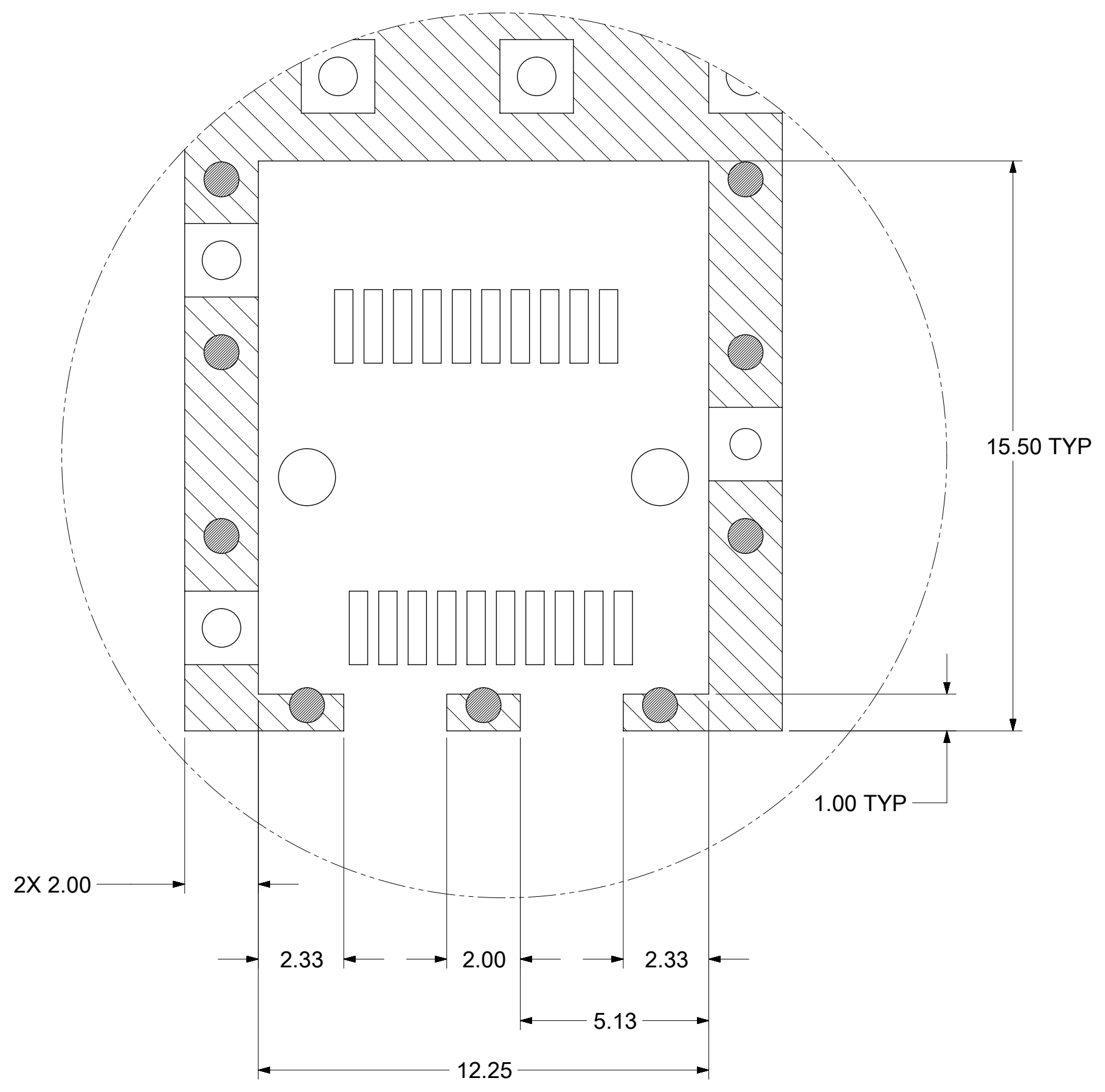
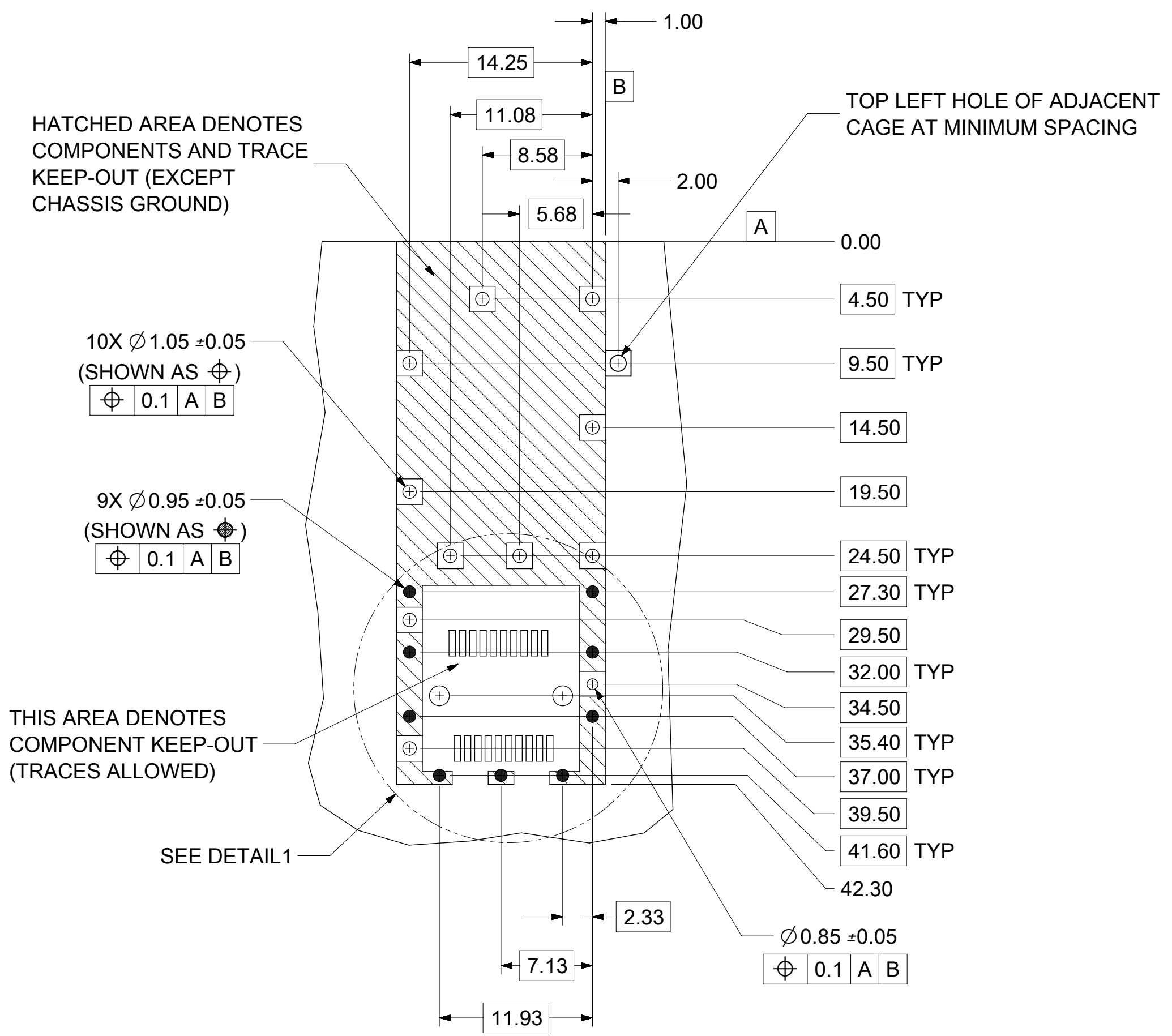
COMPLETED PART NO. AND WEEK/YEAR DATE CODE TO BE PRINTED ON THE SIDE OF COMPLETED CAGE ASSEMBLY APPROXIMATELY AS SHOWN.

THIS DRAWING CONTAINS INFORMATION THAT IS PROPRIETARY TO MOLEX ELECTRONIC TECHNOLOGIES, LLC AND SHOULD NOT BE USED WITHOUT WRITTEN PERMISSION

DIMENSION UNITS		SCALE	CURRENT REV DESC: OBSOLETE PART NUMBER.		<b>molex</b>				
mm		5:1							
GENERAL TOLERANCES (UNLESS SPECIFIED)					SFP+ 1X1 CAGE ASSY PRESS FIT, WITH EMI SPRING FINGERS				
ANGULAR TOL ± 0.5°			EC NO: 632260		PRODUCT CUSTOMER DRAWING				
4 PLACES ±			DRWN: AKUMAR19 2020/02/06		DOCUMENT NUMBER		DOC TYPE	DOC PART	REVISION
3 PLACES ±			CHK'D: GGA 2020/02/28		747540101		PSD	ASY	M1
2 PLACES ± 0.13			APPR: GGA 2020/02/28		MATERIAL NUMBER				
1 PLACE ± 0.25			INITIAL REVISION:		CUSTOMER				
0 PLACES ±			DRWN: MAZAM 2017/01/16		GENERAL MARKET				
			APPR: RCHEN08 2018/01/05		SHEET NUMBER				
DRAFT WHERE APPLICABLE MUST REMAIN WITHIN DIMENSIONS		THIRD ANGLE PROJECTION	DRAWING	SERIES					
			C-SIZE	74754					

DOCUMENT STATUS	P1	RELEASE DATE	2020/02/28	02:41:40
-----------------	----	--------------	------------	----------

# PCB LAYOUT FOR SINGLE SIDE MOUNT

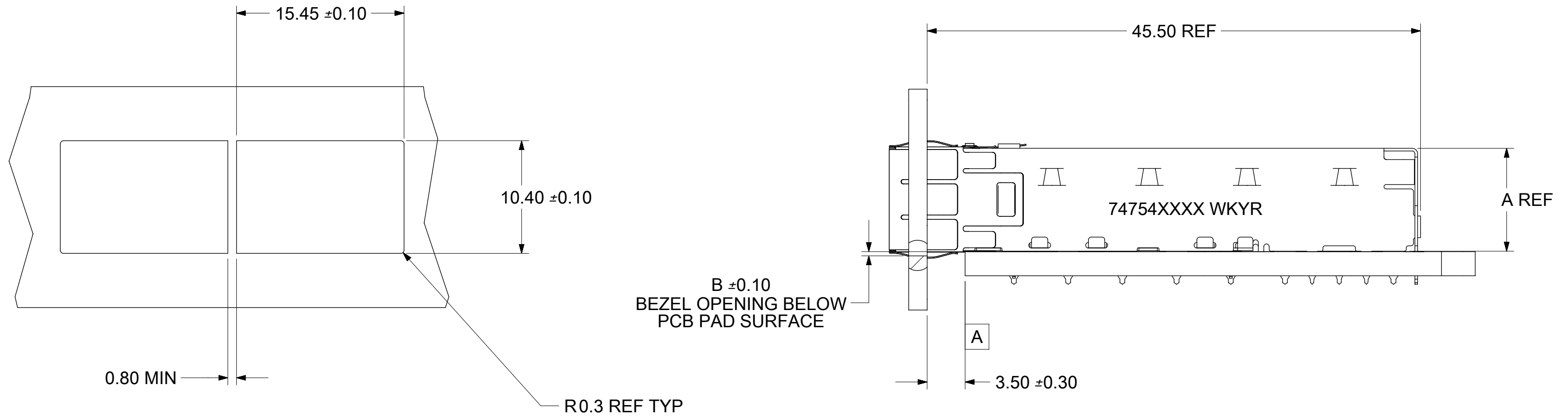


DETAIL 1  
SCALE 8:1  
HOST CONNECTOR DETAIL

- NOTES:
1. PADS AND VIAS CONNECT TO CHASSIS GROUND (RECOMMEND PADS TO BE 2.00mm SQUARE)
  2. RECOMMENDED THRU HOLE PLATING INCLUDES HASL, OSP, OR IMMERSION (GOLD, SILVER, OR TIN).
  3. CONNECTOR PAD LAYOUT PER SFP+ MSA WILL ACCOMMODATE MOLEX CONNECTOR SERIES 74441 OR EQUIVALENT.

THIS DRAWING CONTAINS INFORMATION THAT IS PROPRIETARY TO MOLEX ELECTRONIC TECHNOLOGIES, LLC AND SHOULD NOT BE USED WITHOUT WRITTEN PERMISSION									
DIMENSION UNITS <b>mm</b>		SCALE <b>3:1</b>		CURRENT REV DESC: OBSOLETE PART NUMBER.				<b>molex</b>	
GENERAL TOLERANCES (UNLESS SPECIFIED)				EC NO: 632260					
ANGULAR TOL ± 0.5°				DRWN: AKUMAR19 2020/02/06				SFP+ 1X1 CAGE ASSY	
4 PLACES ±				CHK'D: GGA 2020/02/28				PRESS FIT, WITH EMI SPRING FINGERS	
3 PLACES ±				APPR: GGA 2020/02/28				PRODUCT CUSTOMER DRAWING	
2 PLACES ± 0.13				INITIAL REVISION:				DOCUMENT NUMBER	
1 PLACE ± 0.25				DRWN: MAZAM 2017/01/16				747540101	
0 PLACES ±				APPR: RCHEN08 2018/01/05				PSD ASY M1	
DRAFT WHERE APPLICABLE MUST REMAIN WITHIN DIMENSIONS		THIRD ANGLE PROJECTION		DRAWING		SERIES		MATERIAL NUMBER	
		C-SIZE		74754		SEE PART NUMBER TABLE		CUSTOMER	
						GENERAL MARKET		SHEET NUMBER	
								3 OF 6	

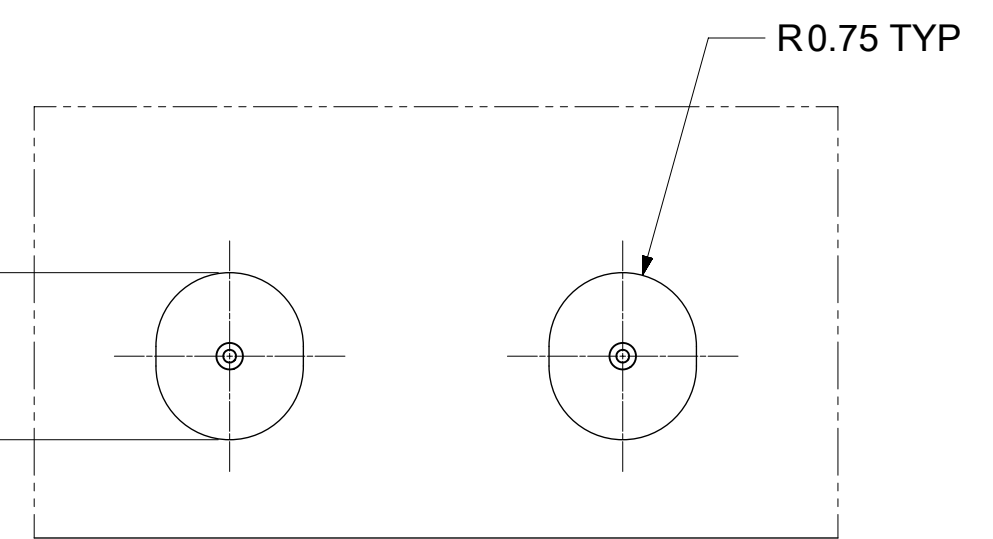
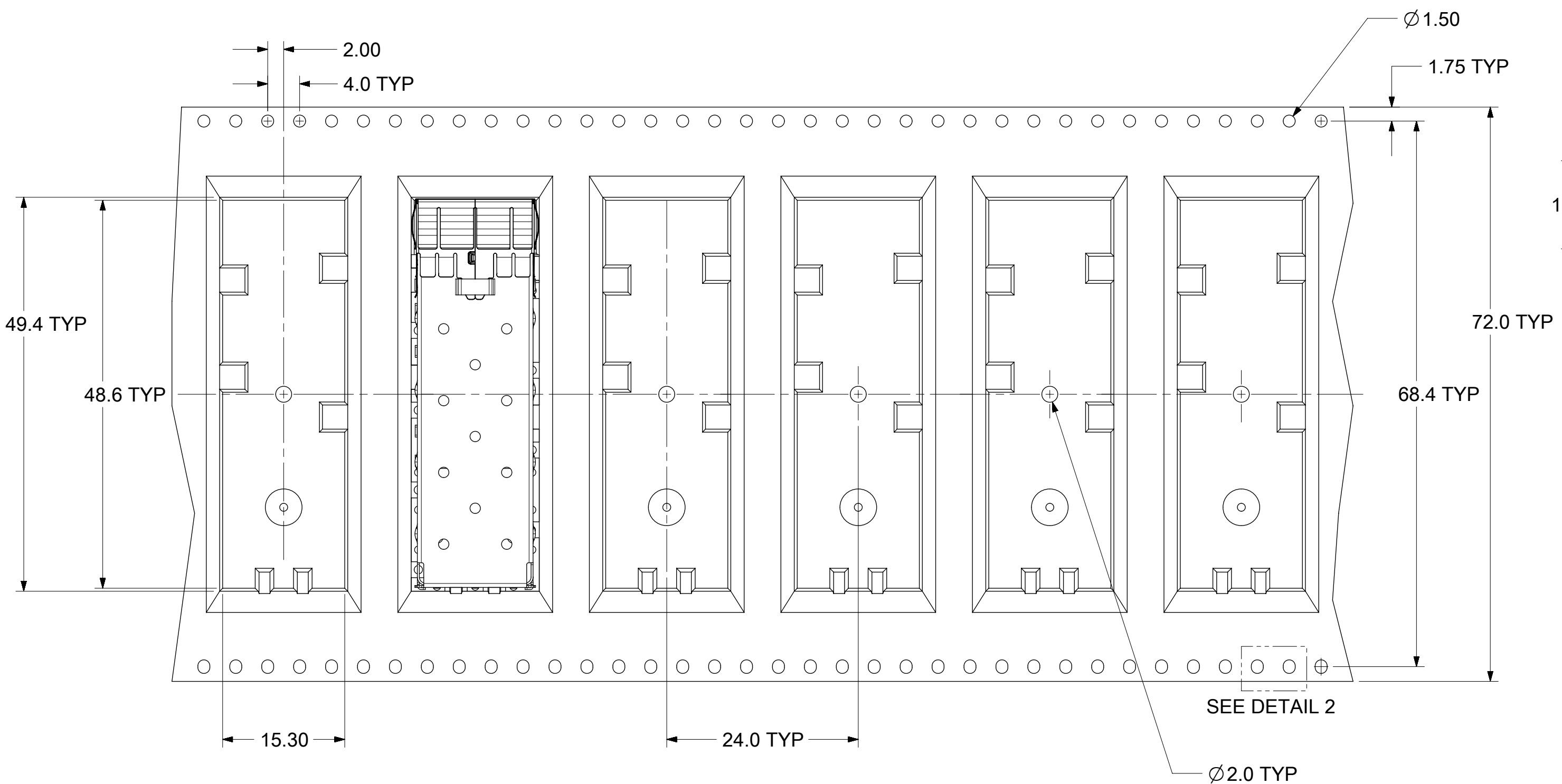
# BEZEL AND BOARD POSITION DIMENSIONS FOR SINGLE SIDE MOUNTING (SPRING FINGER)



SFP+ 1X1 CAGE		
PART NO.	DIM A	DIM B
747540101	9.47	0.43
747540108	9.47	0.43
747540133	9.65	0.25
747548101	9.47	0.43

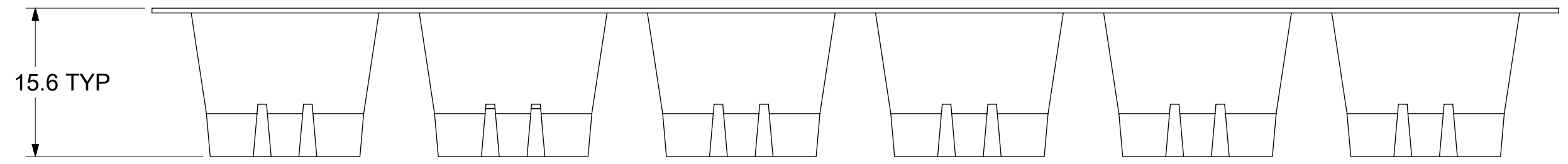
THIS DRAWING CONTAINS INFORMATION THAT IS PROPRIETARY TO MOLEX ELECTRONIC TECHNOLOGIES, LLC AND SHOULD NOT BE USED WITHOUT WRITTEN PERMISSION									
DIMENSION UNITS	SCALE	CURRENT REV DESC: OBSOLETE PART NUMBER.				molex			
mm	3:1					SFP+ 1X1 CAGE ASSY PRESS FIT, WITH EMI SPRING FINGERS			
GENERAL TOLERANCES (UNLESS SPECIFIED)		EC NO: 632260				PRODUCT CUSTOMER DRAWING			
ANGULAR TOL ± 0.5°		DRWN: AKUMAR19 2020/02/06							
4 PLACES ±		CHK'D: GGA 2020/02/28				DOCUMENT NUMBER: <b>747540101</b> DOC TYPE: PSD    DOC PART: ASY    REVISION: M1			
3 PLACES ±		APPR: GGA 2020/02/28							
2 PLACES ± 0.13		INITIAL REVISION:				MATERIAL NUMBER: SEE PART NUMBER TABLE    CUSTOMER: GENERAL MARKET    SHEET NUMBER: 4 OF 6			
1 PLACE ± 0.25		DRWN: MAZAM 2017/01/16							
0 PLACES ±		APPR: RCHEN08 2018/01/05							
DRAFT WHERE APPLICABLE MUST REMAIN WITHIN DIMENSIONS		THIRD ANGLE PROJECTION		DRAWING: C-SIZE		SERIES: 74754			

DOCUMENT STATUS	P1	RELEASE DATE	2020/02/28	02:41:40
-----------------	----	--------------	------------	----------



DETAIL 2  
SCALE 13:1

TAPE FEED DIRECTION →



THIS DRAWING CONTAINS INFORMATION THAT IS PROPRIETARY TO MOLEX ELECTRONIC TECHNOLOGIES, LLC AND SHOULD NOT BE USED WITHOUT WRITTEN PERMISSION									
DIMENSION UNITS		SCALE		CURRENT REV DESC: OBSOLETE PART NUMBER.					
mm		2:1		<p style="text-align: center;"><b>molex</b></p> <p style="text-align: center;">SFP+ 1X1 CAGE ASSY PRESS FIT, WITH EMI SPRING FINGERS</p> <p style="text-align: center;">PRODUCT CUSTOMER DRAWING</p>					
GENERAL TOLERANCES (UNLESS SPECIFIED)									
ANGULAR TOL ± 0.5°									
4 PLACES ±									
3 PLACES ±									
2 PLACES ± 0.13				EC NO: 632260		2020/02/06		DRWN: AKUMAR19	
1 PLACE ± 0.25				CHK'D: GGA		2020/02/28		APPR: GGA	
0 PLACES ±				INITIAL REVISION:		2020/02/28		2017/01/16	
DRAFT WHERE APPLICABLE MUST REMAIN WITHIN DIMENSIONS				THIRD ANGLE PROJECTION		DRAWING		SERIES	
						C-SIZE		74754	
DOCUMENT STATUS		P1		RELEASE DATE		2020/02/28 02:41:40		DOCUMENT NUMBER	
								747540101	
								DOC TYPE	
								PSD	
								DOC PART	
								ASY	
								REVISION	
								M1	
				MATERIAL NUMBER		CUSTOMER		SHEET NUMBER	
				SEE PART NUMBER TABLE		GENERAL MARKET		5 OF 6	

REV	DATE	DESCRIPTION
E	2014/01/10	1. ADDED P/N: 747541101. [SHT 1] 2. ADDED P/N: 747540108. [SHT 1] 3. ADDED REV HISTORY LIST. [SHT 5]
F	2014/02/24	1. ADDED P/N: 747540132 & 747540133 [SHT 1] [SHT 3] REMOVE NOTE 6 [SHT 1]
G	2014/07/04	1. REVISED 747540132 & 747540133 DIM B FROM 0.40 TO 0.25.[SHEET 3]
H	2014/09/11	1. ADDED DIMENSION " 11.50 REF. " @D14. [SHEET 1]
J	2015/02/25	1. P/N DESCRIPTION CHANGED AS "COMPLETED / PARTIAL PART NO. AND WEEK/YEAR DATE CODE TO BE PRINTED / STAMPED ON THE SIDE OF COMPLETED CAGE ASSEMBLY APPROXIMATELY AS SHOWN." [SHEET 1]
K	2018/01/04	1. REMASTERED FROM SD-74754-0101 REV_ J TO 747540101 PSD ASY REV_ K IN NX. 2. SHEET 3 : E7 : ADDED DIMENSION R0.3 REF TYP
L	2018/01/23	1.SHEET 1: CORRECTED TYPO TO CHANGE WELDING POINT FROM 14 TO 6 PCS MATCHING WITH ACTUAL SAMPLE FOR 747540108
L1	2018/02/05	UPDATED DRAWING TO REMOVE PRE-RELEASE STAMP FOR ALL SHEET BECAUSE OF SYSTEM PROBLEM
L2	2018/03/07	UPDATED THE DRAWING TO ADD THE MATERIAL NUMBER ON THE TITLE BLOCK
L3	2018/03/12	SHEET 1: G06: CORRECTED SYSTEM ERROR TO ADD THE 74754XXXX WKYR SHEET 3: F04: CHANGED FROM SPECIFIC P/N 747540101 TO COMMON P/N 74754XXXX FOR BETTER UNDERSTANDING
L4	2018/03/20	SHEET 3: F04: CORRECTED THE SYSTEM ERROR ABOUT POSITION OF 74754XXXX WKYR
M	2018/06/14	ADDED SHEET 2 FOR 747540108 DETAIL AND ADDED 747540108WKYR PRINTING ON SIDE OF CAGE FOR BETTER UNDERSTANDING
M1	2020/02/06	SHEET 1 & SHEET 4: REMOVED OBSOLETE PART NUMBERS 747540132, 747541101 FROM TABLE

THIS DRAWING CONTAINS INFORMATION THAT IS PROPRIETARY TO MOLEX ELECTRONIC TECHNOLOGIES, LLC AND SHOULD NOT BE USED WITHOUT WRITTEN PERMISSION

DIMENSION UNITS	SCALE	CURRENT REV DESC: OBSOLETE PART NUMBER.	<b>molex</b>			
mm	1:1					
GENERAL TOLERANCES (UNLESS SPECIFIED)		EC NO: 632260	SFP+ 1X1 CAGE ASSY PRESS FIT, WITH EMI SPRING FINGERS			
ANGULAR TOL	± 0.5°					
4 PLACES	±	DRWN: AKUMAR19 2020/02/06	PRODUCT CUSTOMER DRAWING			
3 PLACES	±	CHK'D: GGA 2020/02/28				
2 PLACES	± 0.13	APPR: GGA 2020/02/28	DOCUMENT NUMBER <b>747540101</b>			
1 PLACE	± 0.25	INITIAL REVISION:				
0 PLACES	±	DRWN: MAZAM 2017/01/16	DOC TYPE	DOC PART	REVISION	
		APPR: RCHEN08 2018/01/05	PSD	ASY	M1	
DRAFT WHERE APPLICABLE MUST REMAIN WITHIN DIMENSIONS	THIRD ANGLE PROJECTION	DRAWING	SERIES	MATERIAL NUMBER	CUSTOMER	SHEET NUMBER
		C-SIZE	74754	SEE PART NUMBER TABLE	GENERAL MARKET	6 OF 6