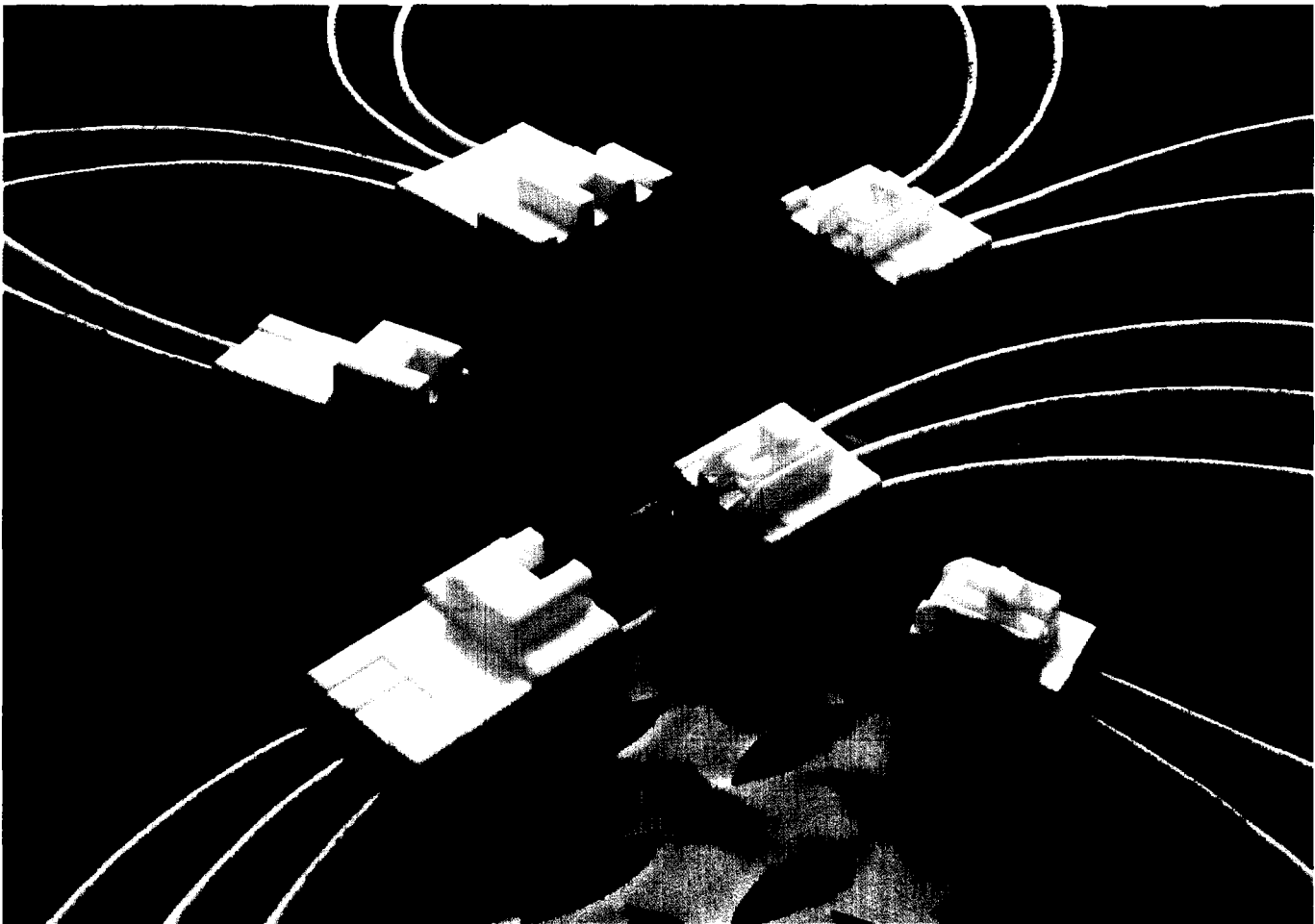


312 CONNECTOR



312 CONNECTOR

IMPROVED DESIGN OF THE 305 SIZE CONNECTOR FOR HIGHER RELIABILITY.

THE BLDE WIDTH OF THE MALE TERMINAL FOR THIS CONNECTOR IS 0.312 INCHES.

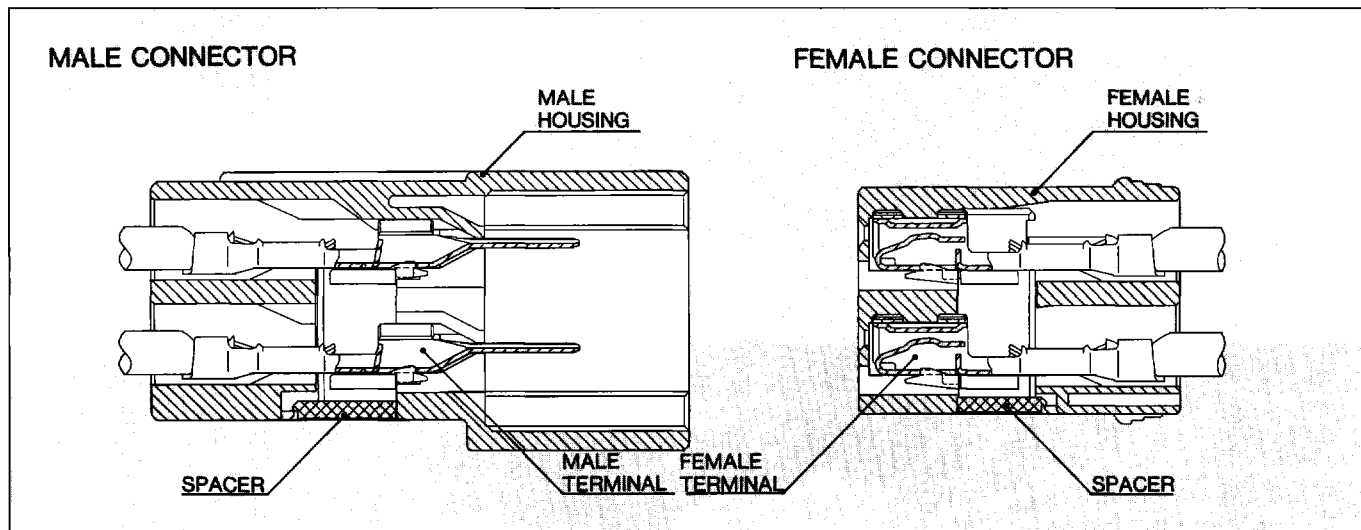
(DISTINCTIVE FEATURES)

1. DOUBLE TERMINAL LOCKING SYSTEM ELIMINATES TERMINAL PUSH-OUT.

(HOUSING LANCE, SIDE LOCK).

2. CONNECTORS CANNOT BE MATED IF PRESET TERMINAL SPACER IS NOT IN THE FULL-LOCK POSITION.

CONSTRUCTION



SPECIFICATIONS

MATERIAL	HOUSING	PBT
	MALE TERMINAL	BRASS (TIN PLATING)
	FEMALE TERMINAL	BRASS (TIN PLATING)
*CURRENT CAPACITY (REFERENCE)		42A
RESISTANCE AT LOW VOLTAGE		3mΩ MAX. (INITIAL VALUE)
INSULATION RESISTANCE		DC500V 100MΩ MIN.
DIELECTRIC STRENGTH		AC1000V (1 min.)

*CURRENT CAPACITY WILL BE AFFECTED BY CONDITIONS SUCH AS POLE QUANTITY, WIRE SIZE, AMBIENT TEMPERATURE, ETC.

PART NUMBER CHART

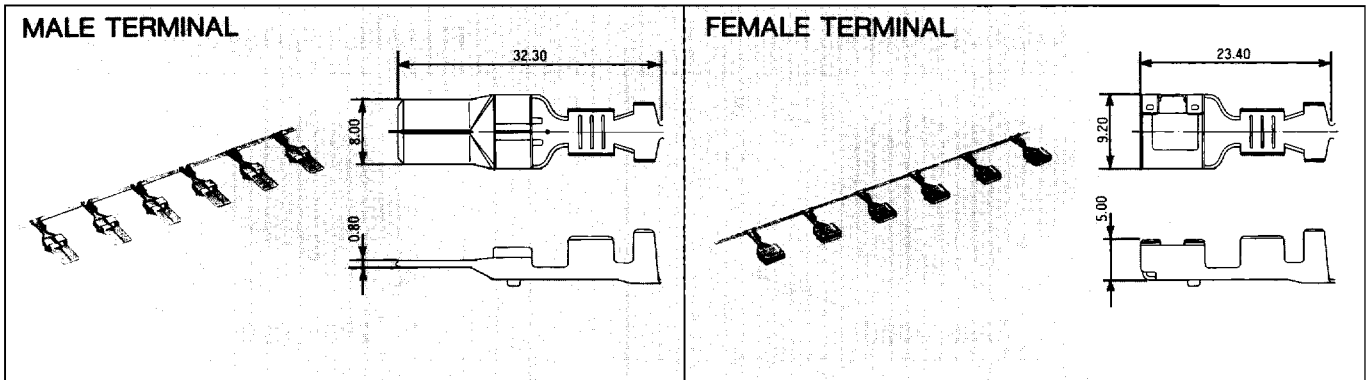
PART NAME	MALE TERMINAL	FEMALE TERMINAL
TERMINAL	7114-6041	7116-6041
	7114-6042	7116-6042

PART NAME	POLES	MALE CONNECTOR	FEMALE CONNECTOR
HOUSING	2	7282-3020	7283-3020
	4	7282-3040	7283-3040

WHILE NATURAL COLOR IS THE STANDARD, OTHER COLORS ARE ALSO AVAILABLE AT YOUR REQUEST.

TERMINAL

UNIT:mm



■ SPECIFICATIONS

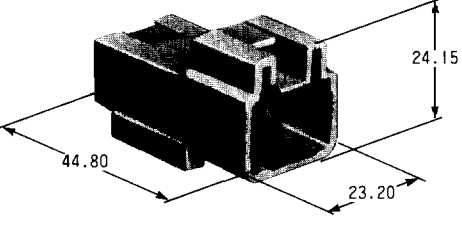
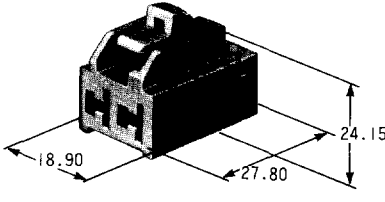
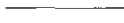
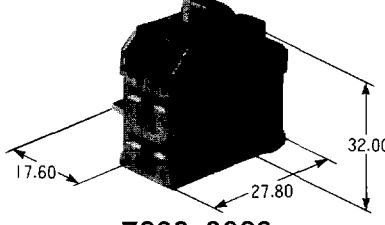
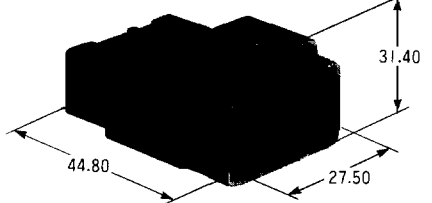
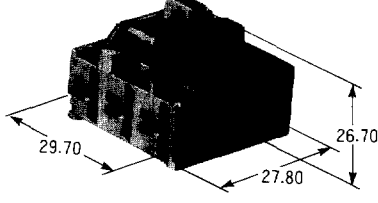
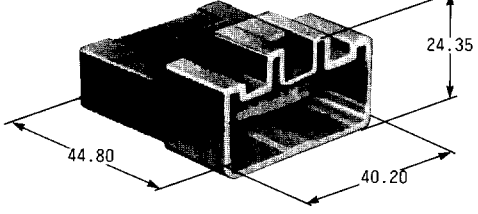
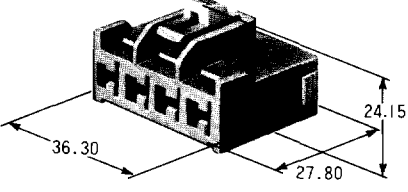
PART NAME	PART NUMBER	MATERIAL	TREATMENT	MATERIAL THICKNESS
MALE TERMINAL	7114-6041	BRASS	TIN PLATING	t=0.4
	7114-6042			
FEMALE TERMINAL	7116-6041	BRASS	TIN PLATING	t=0.4
	7116-6042			

● APPLICABLE WIRE CHART

PART NAME	WIRE SIZE (mm ²)	WIRE TYPE	PART NUMBER
MALE TERMINAL	2	AVS	7114-6041
	3	AVS	7114-6041
	5	AVS	7114-6042
	8	AV	7114-6042
FEMALE TERMINAL	2	AVS	7116-6041
	3	AVS	7116-6041
	5	AVS	7116-6042
	8	AV	7116-6042

HOUSING MATERIAL: PBT (CHANGING FROM PBT TO HPA)

UNIT: mm

POLES	MALE HOUSING	FEMALE HOUSING
2	 <p>7282-3020</p>	 <p>7283-3020</p>
2		 <p>7283-3023</p>
3	 <p>7282-3030</p>	 <p>7283-3030</p>
4	 <p>7282-3040</p>	 <p>7283-3040</p>