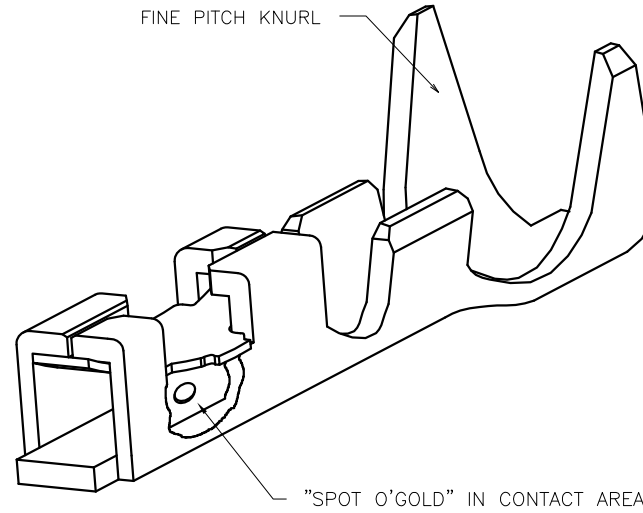
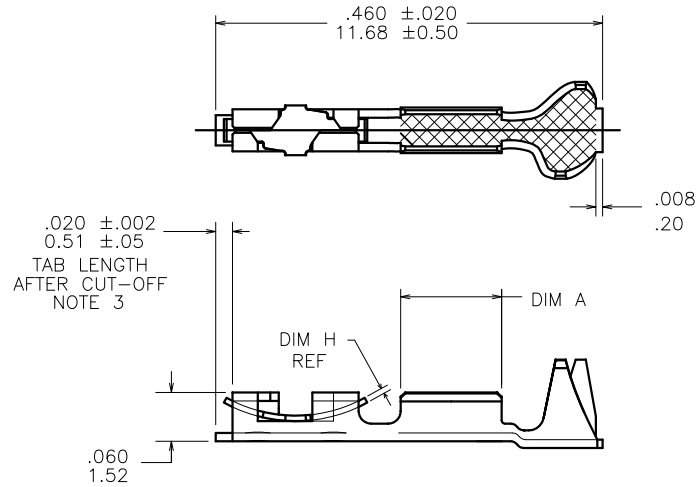


PRODUCT NUMBER

SEE TABLE

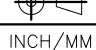



mat'l. code SEE NOTE 1				surface <input checked="" type="checkbox"/> tolerance		projection	product family PV TERMINALS	
ltr	ecm no	dr	date	tolerances unless otherwise specified		INCH/MM	title	
C	V61312	EPK	1996-11-06	angles	XX +.01/XX+3		scale 5:1	MINI PV™ RECEPTACLE SPOT O'GOLD™ C.T.W.
D	V05-0268	HTB	2005-03-30		XXX +.005/XX+13	dwg no sheet 1 of 2 size		
E	V06-0218	HTB	2006-03-07	0° ±2'	XXXX +.0020/XXX+051	75691 A4		
F	V06-0624	HTB	2006-06-30	dr	E. KROPIEWNICK	FCI		
G	V08-0116	HTB	2008-04-07	enfr	T. BREWBAKER	type CUSTOMER Drawing		
H	V12-0051	DCH	2012-11-27	chr	T. BREWBAKER			
				appd	T. BREWBAKER			
sheet index	revision sheet	H	H					
		1	2					

PRODUCT NUMBER		SPRING	AWG RANGE	DIM A
REELED	LOOSE PIECE	"H" THK.		
O B S O L E T E				
75691-001	75691-010			
75691-001LF	75691-010LF	.0035/0.089	18-20	.120/3.05
O B S O L E T E				
75691-002	75691-011			
75691-002LF	75691-011LF	.0035/0.089	18-20	.120/3.05
O B S O L E T E				
75691-003	75691-012			
75691-003LF	75691-012LF	.0065/0.165	18-20	.120/3.05
O B S O L E T E				
75691-004	75691-013			
75691-004LF	75691-013LF	.0035/0.089	22-26	.120/3.05
O B S O L E T E				
75691-005	75691-014			
75691-005LF	75691-014LF	.0050/0.130	22-26	.120/3.05
O B S O L E T E				
75691-006	75691-015			
75691-006LF	75691-015LF	.0065/0.165	22-26	.120/3.05
O B S O L E T E				
75691-007	75691-016			
75691-007LF	75691-016LF	.0035/0.089	28-32	.120/3.05
O B S O L E T E				
75691-008	75691-017			
75691-008LF	75691-017LF	.0050/0.130	28-32	.120/3.05
O B S O L E T E				
75691-009	75691-018			
75691-009LF	75691-018LF	.0065/0.165	28-32	.120/3.05
O B S O L E T E				
75691-019	75691-028			
75691-019LF	75691-028LF	.0035/0.089	18-20	.105/2.67
O B S O L E T E				
75691-020	75691-029			
75691-020LF	75691-029LF	.0050/0.130	18-20	.105/2.67
O B S O L E T E				
75691-021	75691-030			
75691-021LF	75691-030LF	.0065/0.165	18-20	.105/2.67
O B S O L E T E				
75691-022	75691-031			
75691-022LF	75691-031LF	.0035/0.089	22-26	.105/2.67
O B S O L E T E				
75691-023	75691-032			
75691-023LF	75691-032LF	.0050/0.130	22-26	.105/2.67
O B S O L E T E				
75691-024	75691-033			
75691-024LF	75691-033LF	.0065/0.165	22-26	.105/2.67
O B S O L E T E				
75691-025	75691-034			
75691-025LF	75691-034LF	.0035/0.089	28-32	.105/2.67
O B S O L E T E				
75691-026	75691-035			
75691-026LF	75691-035LF	.0050/0.130	28-32	.105/2.67
O B S O L E T E				
75691-027	75691-036			
75691-027LF	75691-036LF	.0050/0.130	28-32	.105/2.67

NOTES :

- ① BODY MATERIAL: 1/4 HARD CuNi ALLOY UNS C72500
UNS C72500, MILL FINISH.
SPRING MATERIAL: BeCu HEAT TREATED, GOLD FLASHED
2. PART TO MATE WITH .025 ±.001/0.64 ±0.02 PIN.
3. APPLICATION SPECIFICATIONS :
A. BUS-12-099 , PRODUCT SPEC.
B. TA-75 , CRIMP METHODS FOR USE IN MINI LATCH HSG.
C. TA-210 , CRIMP METHODS FOR USE IN MINI ROD HSG.
4. TAB CUTOFF DIM IS VERY CRITICAL WHEN USED IN CONJUNCTION WITH MINI ROD HOUSING.
- ⑤ ADD AN "LF" SUFFIX TO PART NUMBERS FOR PRODUCT THAT MEETS EUROPEAN UNION DIRECTIVES AND OTHER COUNTRY REGULATIONS AS DESCRIBED IN GS-22-008.
6. THIS PRODUCT IS NOT INTENDED TO BE EXPOSED TO MANUFACTURING SOLDERING PROCESSES.

mat'l. code		surface		tolerance		projection		product family	
SEE NOTE 1		✓						PV TERMINALS	
ltr	ecn no	dr	date	tolerances unless otherwise specified		INCH/MM		title	
H				angles	XX +.01/X+3			MINI PV™ RECEPTACLE	
				0° ±2'	.XXX +.005/XX+13	scale 5:1		SPOT O'GOLD™ C.T.W.	
					XXXX +.0020/XXX+051			dwg no	
				dr	T. BREWBAKER	2006-03-07			sheet 2 of 2
				engr	T. BREWBAKER	2006-03-07			size
				chr	T. BREWBAKER	2006-03-07			75691
				appd	T. BREWBAKER	2006-03-07			A4
sheet	revision								type
index	sheet								CUSTOMER Drawing