

# SSD CONNECTOR

SEALED



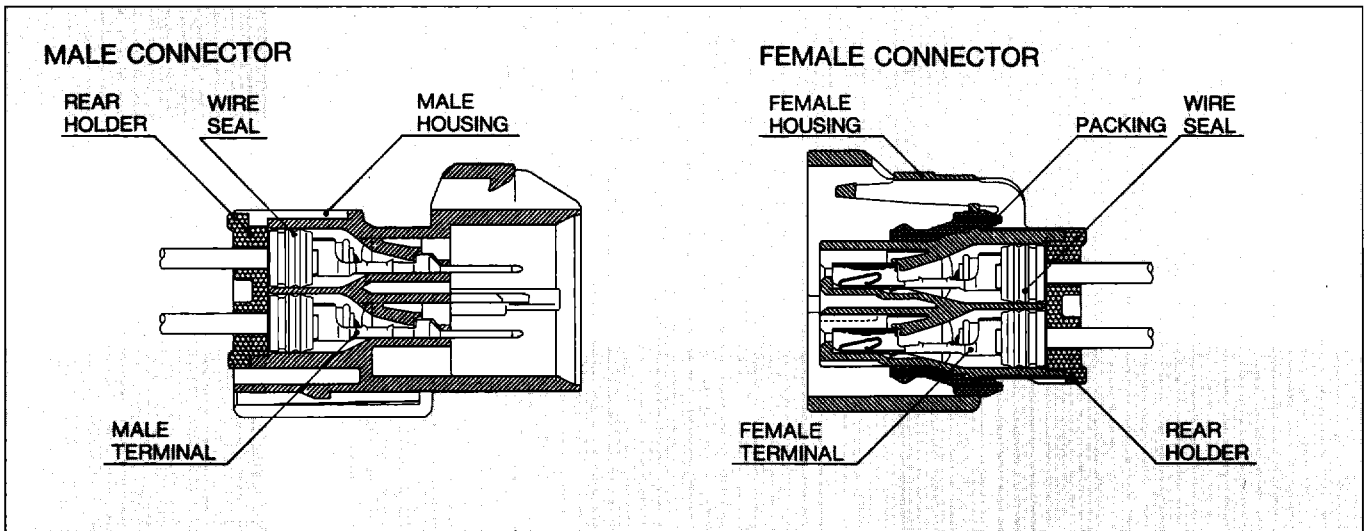
## SSD CONNECTOR

THE BLADE WIDTH OF THE MALE TERMINAL FOR THIS CONNECTOR IS 0.050 INCHES.

(DISTINCTIVE FEATURES )

1. MINIATURED SWALED CONNECTOR OF 4.1 mm TERMINAL PITCH.
2. DOUBLE LOCKING SYSTEM TO PREVENT TERMINAL PUSH-OUT VIA REAR HOLDER AND UNIFIED WIRE SEAL/STOPPER.
3. DECREASED TERMINAL INSERTION FORCE AND UTILIZATION OF HALF-INERTIAL LOCKING SYSTEM.

## CONSTRUCTION



## SPECIFICATIONS

|                               |                 |                            |
|-------------------------------|-----------------|----------------------------|
| MATERIAL                      | HOUSING         | PBT                        |
|                               | MALE TERMINAL   | COPPER ALLOY (TIN PLATING) |
|                               | FEMALE TERMINAL | COPPER ALLOY (TIN PLATING) |
| *CURRENT CAPACITY (REFERENCE) |                 | 5A                         |
| RESISTANCE AT LOW VOLTAGE     |                 | 3mΩ MAX. (INITIAL VALUE)   |
| INSULATION RESISTANCE         |                 | DC500V 100MΩ MIN.          |
| DIELECTRIC STRENGTH           |                 | AC1000V (1 min.)           |

\*CURRENT CAPACITY WILL BE AFFECTED BY CONDITIONS SUCH AS POLE QUANTITY, WIRE SIZE, AMBIENT TEMPERATURE, ETC.

## PART NUMBER CHART

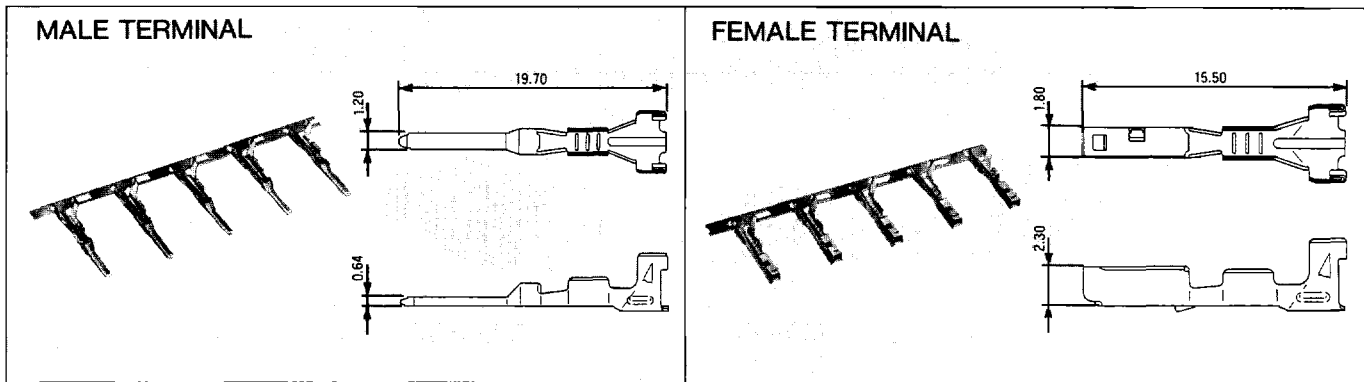
|           |               |                 |
|-----------|---------------|-----------------|
| PART NAME | MALE TERMINAL | FEMALE TERMINAL |
| TERMINAL  | 7114-1680-02  | 7116-1680-02    |

|           |                            |
|-----------|----------------------------|
| PART NAME | COMMON FOR MALE AND FEMALE |
| WIRE SEAL | 7157-3950-80               |
|           | 7157-3951-60               |
|           | 7157-3952-30 (CAVITY PLUG) |

| PART NAME | POLES | MALE CONNECTOR |              | FEMALE CONNECTOR |              |
|-----------|-------|----------------|--------------|------------------|--------------|
|           |       | HOUSING        | REAR HOLDER  | HOUSING          | REAR HOLDER  |
| HOUSING   | 1     | 7182-8710-30   | 7157-4600-80 | 7283-8710-30     | 7157-4600-80 |
|           | 2     | 7182-8720-30   | 7157-4601-80 | 7283-8720-30     | 7157-4601-80 |
|           | 2     | 7182-8721-30   | 7157-4602-80 | 7283-8721-30     | 7157-4602-80 |
|           | 3     | 7182-8730-30   | 7157-4603-80 | 7283-8730-30     | 7157-4603-80 |
|           | 4     | 7182-8740-30   | 7157-4604-80 | 7283-8740-30     | 7157-4604-80 |
|           | 6     | 7182-8760-30   | 7157-4605-80 | 7283-8760-30     | 7157-4605-80 |
|           | 8     | 7182-8780-30   | 7157-4606-80 | 7283-8780-30     | 7157-4606-80 |

**TERMINAL**

UNIT:mm

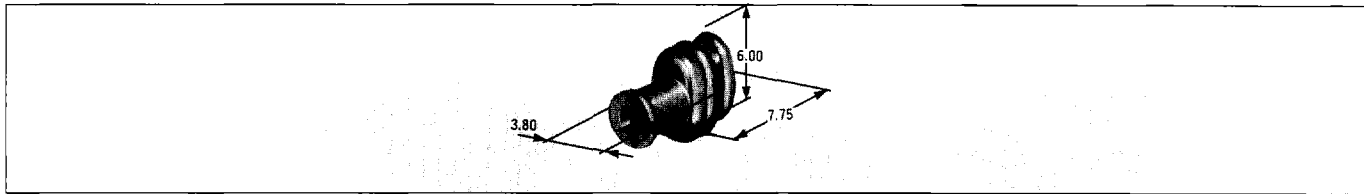


■ SPECIFICATIONS

| PART NAME       | PART NUMBER  | MATERIAL     | TREATMENT   | MATERIAL THICKNESS |
|-----------------|--------------|--------------|-------------|--------------------|
| MALE TERMINAL   | 7114-1680-02 | COPPER ALLOY | TIN PLATING | t=0.25             |
| FEMALE TERMINAL | 7116-1680-02 | COPPER ALLOY | TIN PLATING | t=0.2              |

**WIRE SEAL**

UNIT:mm



■ SPECIFICATIONS

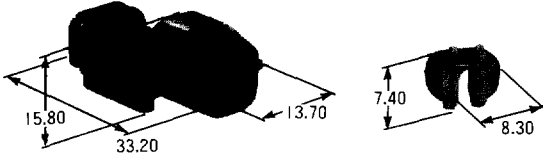
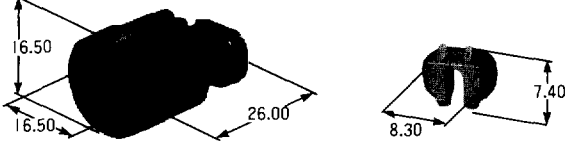
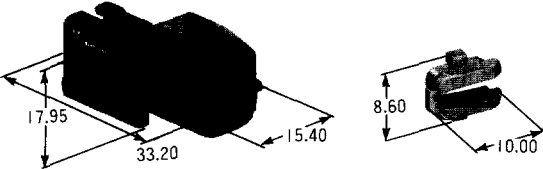
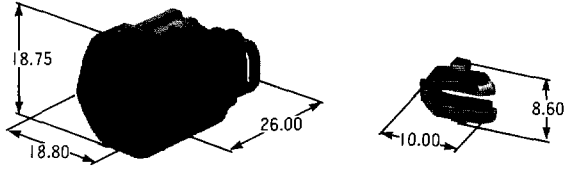
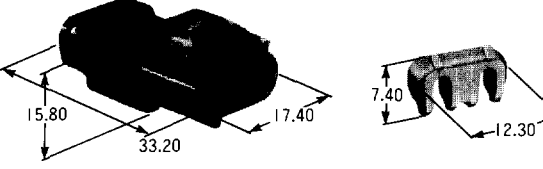
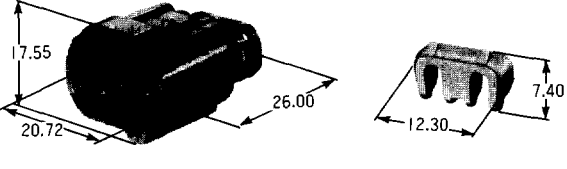
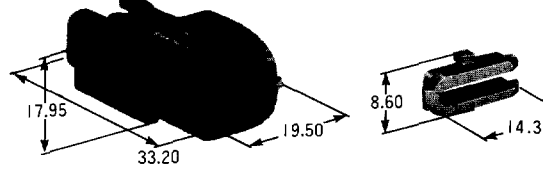
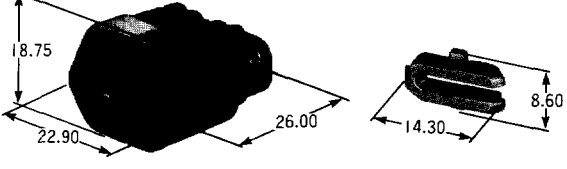
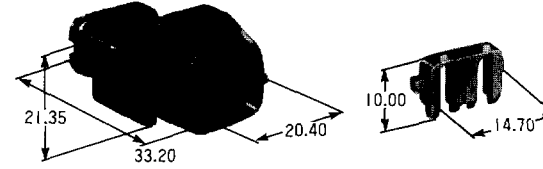
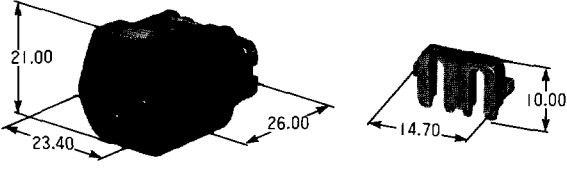
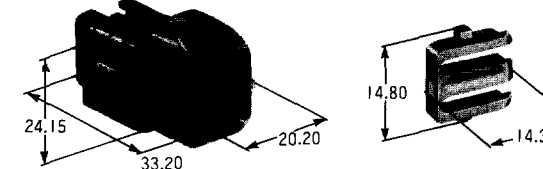
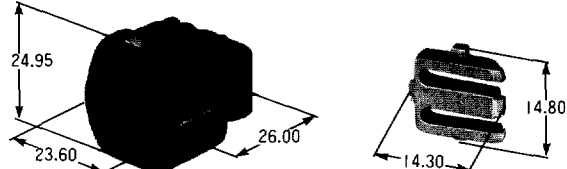
| PART NAME | PART NUMBER  | MATERIAL | COLOR | NOTE        |
|-----------|--------------|----------|-------|-------------|
| WIRE SEAL | 7157-3950-80 | SILICONE | BROWN |             |
|           | 7157-3951-60 | SILICONE | GREEN |             |
|           | 7157-3952-80 | SILICONE | BROWN | CAVITY PLUG |

● APPLICABLE WIRE CHART (TERMINAL·WIRE SEAL)

| PART NAME       | WIRE SIZE (mm <sup>2</sup> ) | WIRE TYPE | PART NUMBER  | WIRE SEAL PART NUMBER |
|-----------------|------------------------------|-----------|--------------|-----------------------|
| MALE TERMINAL   | 0.3                          | AVS       | 7114-1680-02 | 7157-3951-60          |
|                 |                              | CAVS      | 7114-1680-02 | 7157-3950-80          |
|                 | 0.5                          | AVS       | 7114-1680-02 | 7157-3951-60          |
|                 |                              | CAVS      | 7114-1680-02 | 7157-3950-80          |
| FEMALE TERMINAL | 0.3                          | AVS       | 7116-1680-02 | 7157-3951-60          |
|                 |                              | CAVS      | 7116-1680-02 | 7157-3950-80          |
|                 | 0.5                          | AVS       | 7116-1680-02 | 7157-3951-60          |
|                 |                              | CAVS      | 7116-1680-02 | 7157-3950-80          |
|                 | 0.85                         | AVS       | 7116-1680-02 | 7157-3951-60          |
|                 |                              | CAVS      | 7116-1680-02 | 7157-3950-80          |

HOUSING MATERIAL: PBT

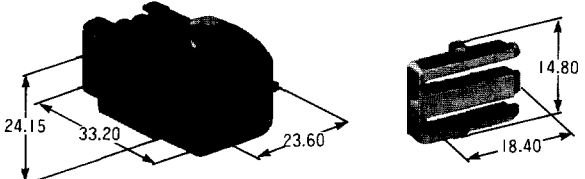
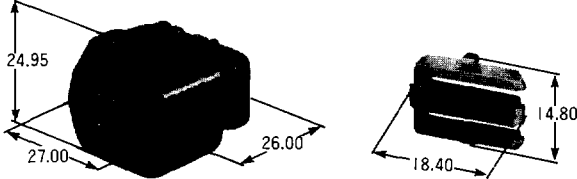
UNIT: mm

| POLES | MALE HOUSING  | FEMALE HOUSING   |
|-------|---|--|
| 1     |  <p>7182-8710-30(7157-4600-80)</p>   |  <p>7283-8710-30(7157-4600-80)</p>   |
| 2     |  <p>7182-8720-30(7157-4601-80)</p>   |  <p>7283-8720-30(7157-4601-80)</p>   |
| 2     |  <p>7182-8721-30(7157-4602-80)</p> |  <p>7283-8721-30(7157-4602-80)</p> |
| 3     |  <p>7182-8730-30(7157-4603-80)</p> |  <p>7283-8730-30(7157-4603-80)</p> |
| 4     |  <p>7182-8740-30(7157-4604-80)</p> |  <p>7283-8740-30(7157-4604-80)</p> |
| 6     |  <p>7182-8760-30(7157-4605-80)</p> |  <p>7283-8760-30(7157-4605-80)</p> |

REAR HOLDER PART NUMBER IN PARENTHESIS.

**HOUSING MATERIAL: PBT**

UNIT: mm

| POLES | MALE HOUSING  | FEMALE HOUSING  |
|-------|---|---|
| 8     |  <p data-bbox="351 607 782 640">7182-8780-30(7157-4606-80)</p> |  <p data-bbox="974 607 1406 640">7283-8780-30(7157-4606-80)</p> |

REAR HOLDER PART NUMBER IN PARENTHESIS.