

749087-1 ✓ ACTIVE

AMPLIMITE | AMPLIMITE 0.50 Series

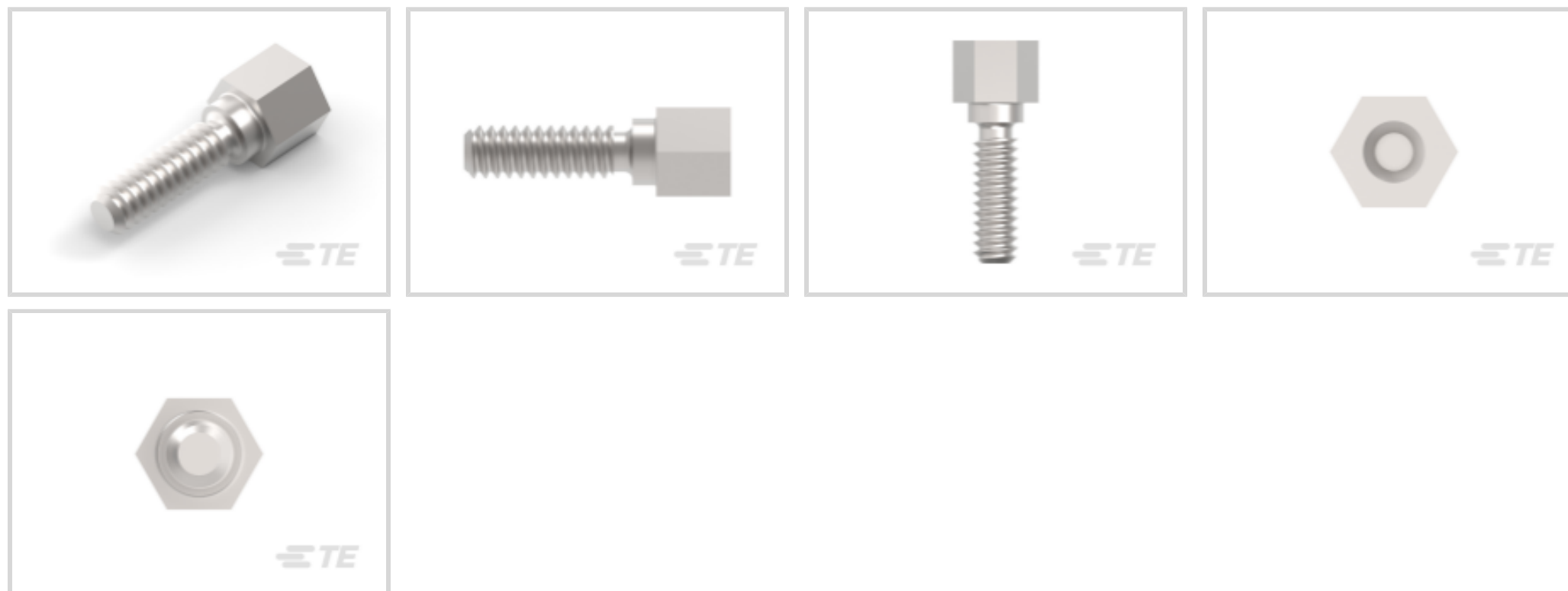
TE Internal #: 749087-1

D-Sub Locking & Mounting, Female Screwlocks, Screw Length
14.27 mm [.562 in], AMPLIMITE 0.50 Series

[View on TE.com >](#)



Connectors > D-Shaped Connectors > D-Sub Accessories > Locking & Mounting



D-Shaped Connector Accessories: **Female Screwlocks**

Screw Length: 14.27 mm [.562 in]

Features

Product Type Features

Product Type	Accessory
D-Shaped Connector Accessories	Female Screwlocks

Mechanical Attachment

Screwlock Style	Screwlock Only
Screw & Hole Thread Size	2-56 UNC (Female), 4-40 UNC (Male)
Screw Length	14.27 mm [.562 in]

Dimensions

Thread Length	9.02 mm [.355 in]
---------------	-------------------

Packaging Features

Packaging Quantity	1
Packaging Method	Bag, Kit

Product Compliance

[For compliance documentation, visit the product page on TE.com>](#)

EU RoHS Directive 2011/65/EU	Compliant
EU ELV Directive 2000/53/EC	Compliant

China RoHS 2 Directive MIIT Order No 32, 2016

No Restricted Materials Above Threshold

EU REACH Regulation (EC) No. 1907/2006

Current ECHA Candidate List: JUNE 2022
(224)Candidate List Declared Against: JUNE
2022 (224)

Does not contain REACH SVHC

Halogen Content

Low Halogen - Br, Cl, F, I < 900 ppm per
homogenous material. Also BFR/CFR/PVC
Free

Solder Process Capability

Not applicable for solder process capability

Product Compliance Disclaimer

This information is provided based on reasonable inquiry of our suppliers and represents our current actual knowledge based on the information they provided. This information is subject to change. The part numbers that TE has identified as EU RoHS compliant have a maximum concentration of 0.1% by weight in homogenous materials for lead, hexavalent chromium, mercury, PBB, PBDE, DBP, BBP, DEHP, DIBP, and 0.01% for cadmium, or qualify for an exemption to these limits as defined in the Annexes of Directive 2011/65/EU (RoHS2). Finished electrical and electronic equipment products will be CE marked as required by Directive 2011/65/EU. Components may not be CE marked. Additionally, the part numbers that TE has identified as EU ELV compliant have a maximum concentration of 0.1% by weight in homogenous materials for lead, hexavalent chromium, and mercury, and 0.01% for cadmium, or qualify for an exemption to these limits as defined in the Annexes of Directive 2000/53/EC (ELV). Regarding the REACH Regulation, the information TE provides on SVHC in articles for this part number is based on the latest European Chemicals Agency (ECHA) 'Guidance on requirements for substances in articles' posted at this URL: <https://echa.europa.eu/guidance-documents/guidance-on-reach>

Compatible Parts



TE Part # CAT-020-ADRV127
AMPLIMITE D-Sub Receptacle
Assembly: Vertical, 1.27mm



TE Part # CAT-020-DRAVAP127
D-Sub Receptacle Assembly: Vertical,
Action Pin, 1.27mm



TE Part # CAT-018-DRARA127
D-Sub Receptacle Assembly: Right
Angle, 1.27mm

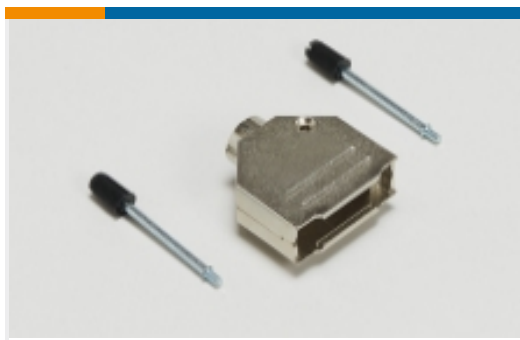


TE Part # CAT-AM7-436507
IDC D-Sub: Receptacle Assembly,
Panel Mount, Signal, 1.27 mm



TE Part # CAT-AM7-4365072
IDC D-Sub: Receptacle Kit, Panel
Mount, Signal, 1.27 mm

Also in the Series | **AMPLIMITE 0.50 Series**



D-Sub Backshells & Clamps(31)



D-Sub Covers(20)



D-Sub Locking & Mounting(8)



IDC D-Sub Connectors(77)

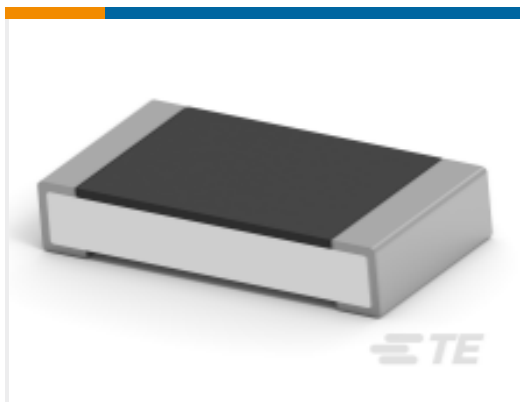


Insertion & Extraction Tools(1)



PCB D-Sub Connectors(191)

Customers Also Bought



TE Part #3-2176390-6
RQ 1206 2K67 0.1% 10PPM 5K RL



TE Part #YDTS20G13-35PNV001
RECP ASSY



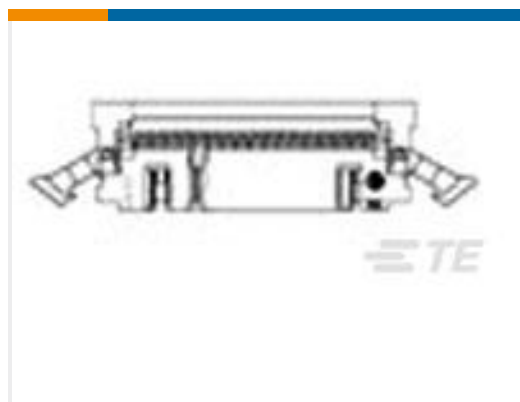
TE Part #YDTS26F21-11SNV001
PLUG ASSY



TE Part #YDTS26G17-06PBV001
D38999: Straight Plug, 17-06 Insert



TE Part #413476-2
JACK,DECOUPLER,PCB,VERT,BNC



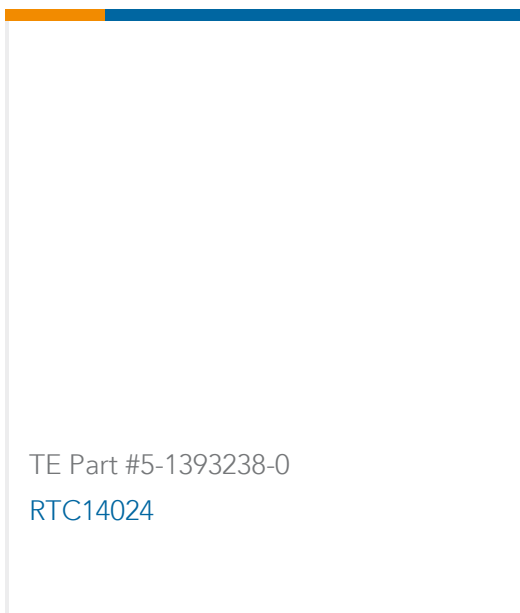
TE Part #1-111506-4
50 UNIV I/O, SLOTTED,LEAD FREE



TE Part #1-1734516-4
RCPT, 2MM, 14P, VRT SMT, 30Au",
LOCK



TE Part #567140-2
M SMPR140F190FKSA



TE Part #5-1393238-0
RTC14024

Documents



Product Drawings

[50SR SCREWLOCK KIT,FEMALE](#)

English

CAD Files

[3D PDF](#)

3D

Customer View Model

[ENG_CVM_CVM_749087-1_L.2d_dxf.zip](#)

English

Customer View Model

[ENG_CVM_CVM_749087-1_L.3d_igs.zip](#)

English

Customer View Model

[ENG_CVM_CVM_749087-1_L.3d_stp.zip](#)

English

By downloading the CAD file I accept and agree to the [Terms and Conditions](#) of use.

Datasheets & Catalog Pages

[AMPLIMITE Subminiature D Connectors - .050 Series Connector](#)

English

[AMPLIMITE .050 Series D-sub Connectors QRG](#)

English

Product Specifications

[Application Specification](#)

English

Product Environmental Compliance

[TE Material Declaration](#)

English

Instruction Sheets

[Instruction Sheet \(U.S.\)](#)

English

[Instruction Sheet \(U.S.\)](#)

English

[Instruction Sheet \(U.S.\)](#)

English

[Instruction Sheet \(U.S.\)](#)

English
