

**PLEASE CHECK WWW.MOLEX.COM FOR LATEST PART INFORMATION**

**Part Number:** **0747370016**  
**Status:** **Active**  
**Overview:** SFP+ and SFP Interconnect Solutions  
**Description:** SFP One Piece Cage, EMI Shielding, 3.05mm Press-Fit Tails, for PCI Applications

**Documents:**

<a href="#">3D Model</a>	<a href="#">Product Specification PS-74737-8001-001 (PDF)</a>
<a href="#">3D Model (PDF)</a>	<a href="#">Application Specification AS-74737-001 (PDF)</a>
<a href="#">Drawing (PDF)</a>	<a href="#">Packaging Specification PK-74737-0016 (PDF)</a>
<a href="#">Product Specification PS-74737-0010-001 (PDF)</a>	<a href="#">RoHS Certificate of Compliance (PDF)</a>

**General**

Product Family	EMI Cages
Series	<a href="#">74737</a>
Application	Module-to-Board
Comments	For PCI Applications
Component Type	Cage Assembly
Overview	<a href="#">SFP+ and SFP Interconnect Solutions</a>
Product Name	SFP
UPC	822350183925

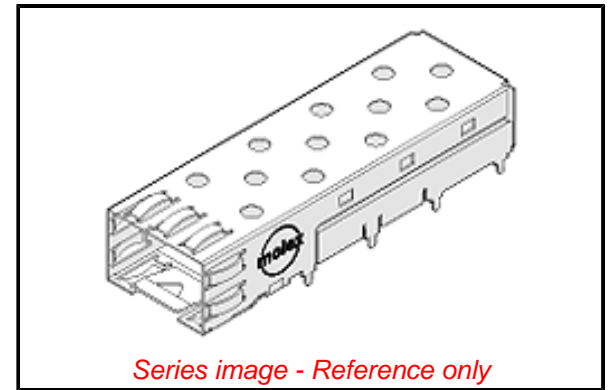
**Physical**

EMI Panel / Bezel Mount	Spring Fingers
Light Pipes per Port	0
Material - Metal	Copper Alloy
Net Weight	4.540/g
Orientation	Horizontal
Packaging Type	Tray
Port Configuration	1x1
Rear Legs	3
Termination Interface: Style	Through Hole - Compliant Pin
Thermal Height	N/A
Thermal Solutions	Closed Top

**Material Info**

**Reference - Drawing Numbers**

Application Specification	<a href="#">AS-74737-001</a>
Packaging Specification	<a href="#">PK-74737-0016</a>
Product Specification	<a href="#">PS-74737-0010-001</a> , <a href="#">PS-74737-8001-001</a>
Sales Drawing	<a href="#">SD-74737-0016</a> , <a href="#">SD-74737-016</a>



**EU ELV**

**Compliant**

**EU RoHS**

**Compliant**

**REACH SVHC**

Not Contained Per -  
D(2020)9139-DC (19  
Jan 2021)

**Halogen-Free**

**Status**

**Low-Halogen**

For more information, please visit [Contact US](#)

China ROHS

ELV

RoHS Phthalates

**China RoHS**

Green Image

Compliant

Not Contained

**Search Parts in this Series**

[74737](#) Series

**Mates With**

[74720](#) SFP Copper Module, [73929](#) SFP Cable Assembly, Passive, 2 Gbps, [73930](#) SFP Cable Assembly, Active, 2 Gbps, [74742](#) SFP Cable Assembly, Passive, 4 Gbps, [74743](#) SFP Cable Assembly, Active, 4 Gbps

**Use With**

[74441](#) Connector