

**PLEASE CHECK WWW.MOLEX.COM FOR LATEST PART INFORMATION**

**Part Number:** **0747370009**  
**Status:** **Active**  
**Overview:** SFP+ and SFP Interconnect Solutions  
**Description:** SFP One Piece Cage, EMI Shielding, 3.05mm Press-Fit Tails

**Documents:**

<a href="#">3D Model</a>	<a href="#">Product Specification PS-74737-8001-001 (PDF)</a>
<a href="#">3D Model (PDF)</a>	<a href="#">Application Specification AS-74737-001 (PDF)</a>
<a href="#">Drawing (PDF)</a>	<a href="#">RoHS Certificate of Compliance (PDF)</a>
<a href="#">Product Specification PS-74737-0010-001 (PDF)</a>	

**Application tooling part link**

Application Tooling Part Link	62202-9745
Application Tooling Part Link	62202-9750

**General**

Product Family	EMI Cages
Series	<a href="#">74737</a>
Application	Module-to-Board
Component Type	Cage Assembly
Overview	<a href="#">SFP+ and SFP Interconnect Solutions</a>
Product Name	SFP
UPC	822350185813

**Physical**

EMI Panel / Bezel Mount	Spring Fingers
Light Pipes per Port	0
Material - Metal	Copper Alloy
Net Weight	4.309/g
Orientation	Horizontal
Packaging Type	Tray
Port Configuration	1x1
Rear Legs	3
Termination Interface: Style	Through Hole - Compliant Pin
Thermal Height	N/A
Thermal Solutions	Closed Top

**Solder Process Data**

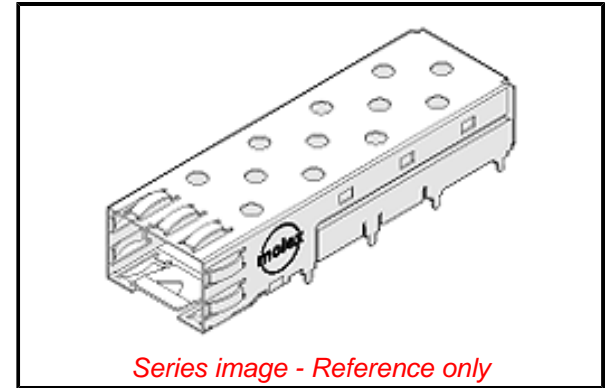
Lead-free Process Capability	SMC&WAVE
Process Temperature max. C	265

**Material Info**

Engineering Number	73927-0009
--------------------	------------

**Reference - Drawing Numbers**

Application Specification	AS-74737-001
Product Specification	PS-74737-0010-001, PS-74737-8001-001
Sales Drawing	747370009-ASY, SD-74737-0009, SD-74737-009, SD-74737-020



Series image - Reference only

**EU ELV**

**Compliant**

**EU RoHS**

**Compliant**

**REACH SVHC**

Not Contained Per -  
D(2020)4578-DC (25  
June 2020)

**Halogen-Free**

**Status**

**Low-Halogen**

For more information, please visit [Contact US](#)

China ROHS

ELV

RoHS Phthalates

**China RoHS**

Green Image

Compliant

Not Contained

**Search Parts in this Series**

[74737 Series](#)

**Mates With**

[74720](#) SFP Copper Module, [73929](#) SFP Cable Assembly, Passive, 2 Gbps, [73930](#) SFP Cable Assembly, Active, 2 Gbps, [74742](#) SFP Cable Assembly, Passive, 4 Gbps, [74743](#) SFP Cable Assembly, Active, 4 Gbps

**Use With**

[74441](#) Connector

**Application Tooling | FAQ**

*Tooling specifications and manuals are found by selecting the products below. Crimp Height Specifications are then contained in the Application Tooling Specification document.*

**Global**

**Description**

**Product #**

Multi-Port Connector Tooling	<a href="#">622029745</a>
------------------------------	---------------------------

Removal Tool for 1- [622029750](#)  
by-1 Small Form-  
Factor Pluggable

This document was generated on 07/15/2020

**PLEASE CHECK [WWW.MOLEX.COM](http://WWW.MOLEX.COM) FOR LATEST PART INFORMATION**