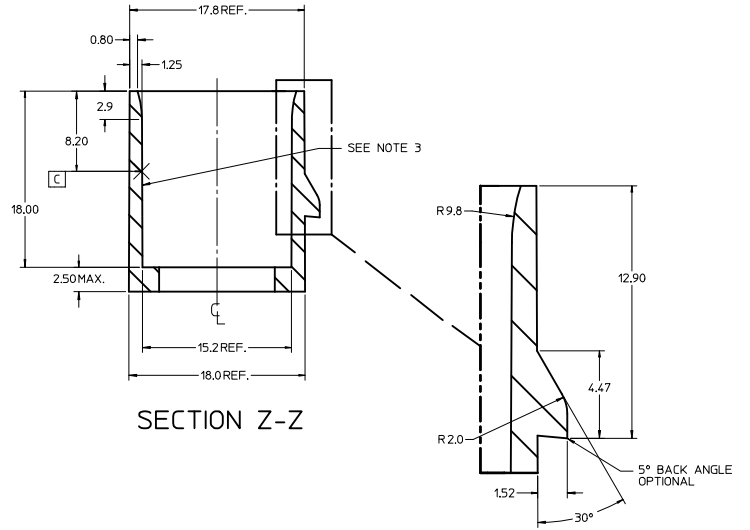
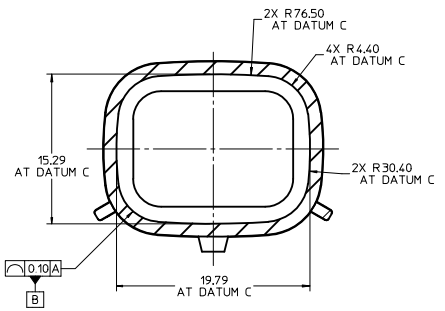
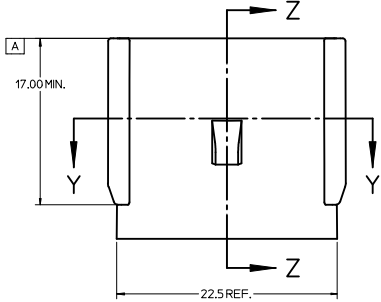
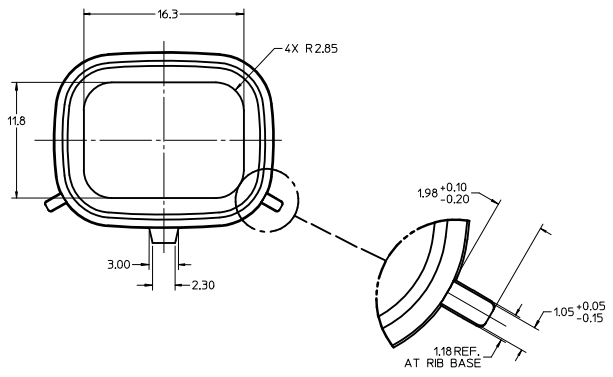
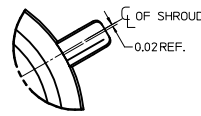
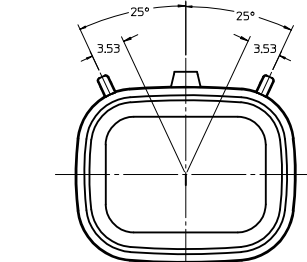
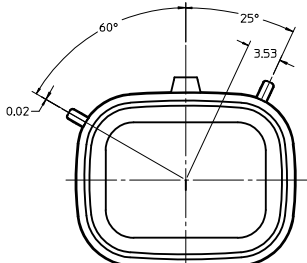
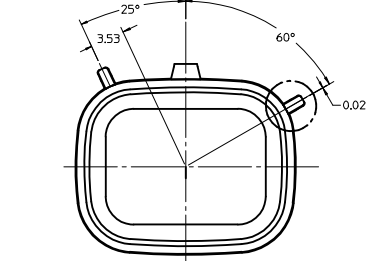
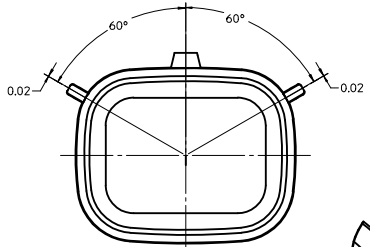
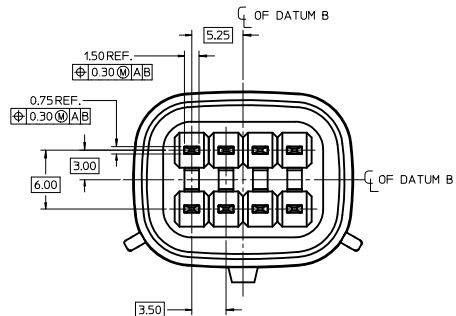


CUSTOMER SHROUD DESIGN DETAILS

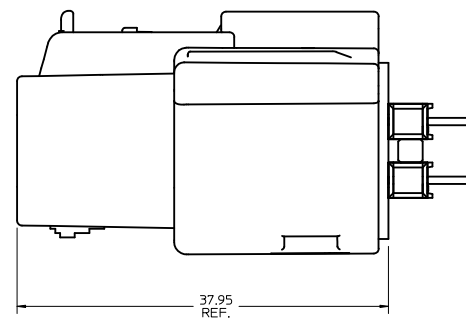
- NOTES:**
- REFER TO MOLEX SALES DRAWING SD-75757-002 FOR THE HEADER ASSEMBLY PRODUCT DETAILS AND RECOMMENDED PCB LAYOUT.
 - KEYING OPTIONS A-D AND SUGGESTED COLORS COMPLY TO THE POLARIZATION STANDARDS ESTABLISHED FOR MATING WITH A MX150 FEMALE CONNECTOR.
 - INTERIOR SHROUD SURFACE MUST BE FREE OF DEFECTS AND PARTING LINES ALL AROUND TO ENSURE PROPER SEALING OF THE MATING MX150 FEMALE CONNECTOR.
 - A FULL SHROUD ON THE MATING CONNECTOR IS REQUIRED TO INSURE THE HEADER SHROUD POLARIZATION FEATURES (OPTIONS A-D) WILL FUNCTION PROPERLY. THE FULL SHROUD ALSO PREVENTS SCOOP DAMAGE TO THE HEADER CONTACTS.
 - PERMISSIBLE DRAFT ANGLE 0.25° MAXIMUM.
 - RADIi ON ALL CORNERS SHOWN SHARP OR ALL UNSPECIFIED RADIi 0.25 EXCEPT AS NOTED.
 - DIMENSIONS SHOWN ABOUT A CENTERLINE ARE SYMMETRICAL ABOUT THAT CENTERLINE WITHIN HALF THE SPECIFIED TOLERANCE.



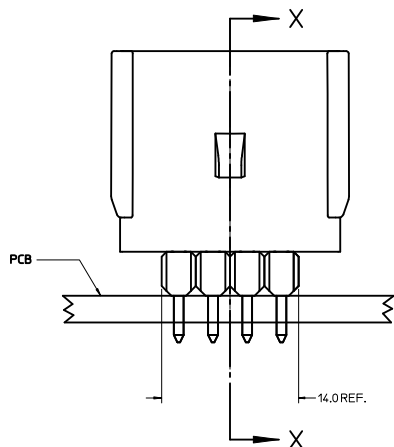
ADDED REC ASSY VIEW EIC NO. UJCP2011-2680 DRAWN/DROSCA CHYD APPR: JCOMERCL 2011/03/07	QUALITY SYMBOLS	GENERAL TOLERANCES (UNLESS SPECIFIED)	DIMENSION STYLE	SCALE	DESIGN UNITS	THIRD ANGLE PROJECTION
	▽=0 ▽=0	mm INCH 4 PLACES ± --- ± --- 3 PLACES ± --- ± --- 2 PLACES ± 0.01 ± --- 1 PLACE ± 0.2 ± --- ANGULAR ±1/2°	MM ONLY DRAWN BY DATE TMCLELL 2006/04/12 CHECKED BY DATE TMCLELL 2006/04/12 APPROVED BY DATE BANAKIS 2006/04/13	4:1	METRIC	APPLICATION SPEC 2X4 MX150 HEADER SHROUD DETAILS
	DRAFT WHERE APPLICABLE MUST REMAIN WITHIN DIMENSIONS	MATERIAL NO. 75757-2040	DOCUMENT NO. AS-75757-204	MOLEX INCORPORATED	SHEET NO. 1 OF 2	
	SIZE D	THIS DRAWING CONTAINS INFORMATION THAT IS PROPRIETARY TO MOLEX INCORPORATED AND SHOULD NOT BE USED WITHOUT WRITTEN PERMISSION				



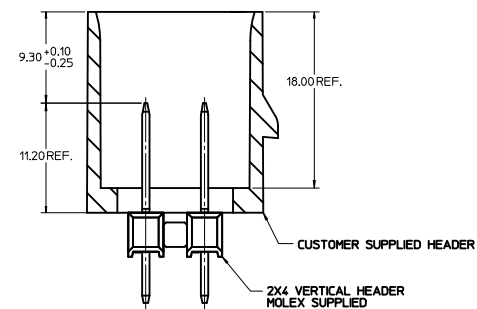
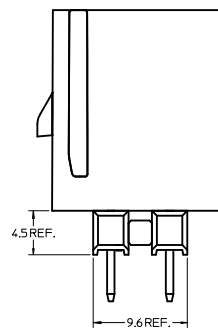
NOTES:
 1. ADHERENCE TO THE HEADER APPLICATION DETAILS IS IMPERATIVE TO ENSURE PROPER SHROUD SEALING AND CONTACT ALIGNMENT WHEN MATED WITH A MX150 FEMALE CONNECTOR.



CONNECTOR ASSEMBLY

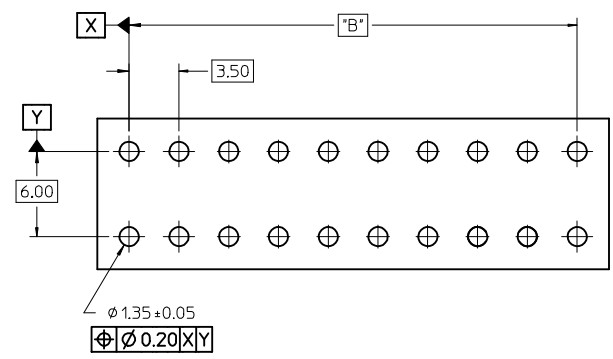
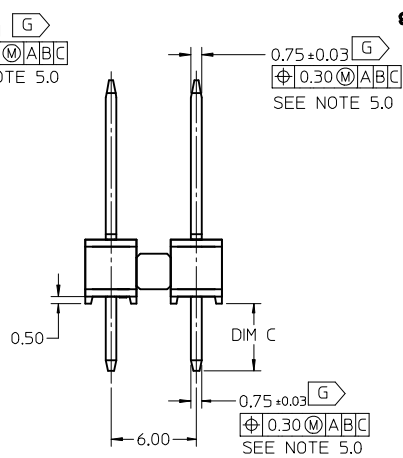
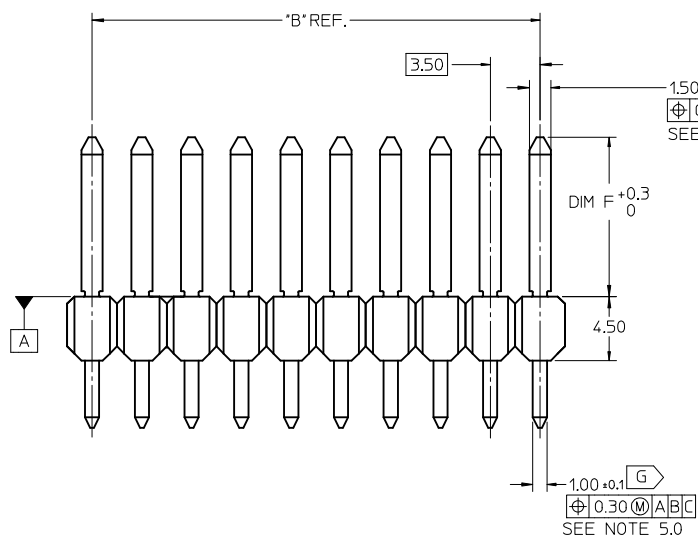
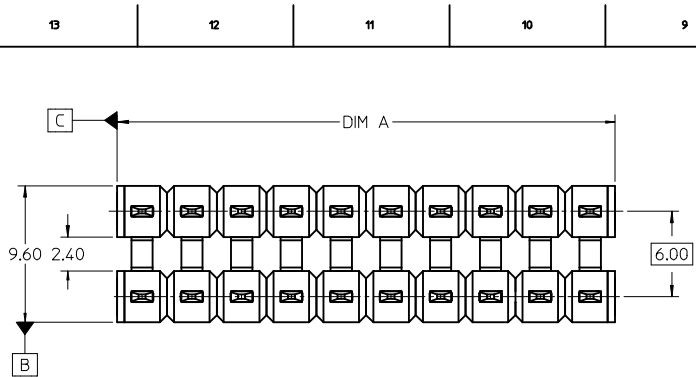


HEADER APPLICATION DETAILS



SECTION X-X

SEE SHEET 1 EIC NO. UCP2011-2680 DRAWN BY: DRWN:DRWSCA CHYD: APPR: JCOMERCL 2011/03/07	QUALITY SYMBOLS	GENERAL TOLERANCES (UNLESS SPECIFIED)		DIMENSION STYLE	SCALE	DESIGN UNITS	THIRD ANGLE PROJECTION
	▽=0 ▽=0	mm	INCH	MM ONLY	4:1	METRIC	◯ ◻ THIRD ANGLE PROJECTION
		4 PLACES ±---	±---	TMCLELL	DATE	TITLE	
		3 PLACES ±---	±---	TMCLELL	2006/04/12	APPLICATION SPEC	
	2 PLACES ±0.01	±---	TMCLELL	DATE	2X4 MX150 HEADER		
	1 PLACE ±0.2	±---	TMCLELL	2006/04/12	SHROUD DETAILS		
	ANGULAR ±1/2°	±---	APPROVED BY	DATE	MOLEX INCORPORATED		
	DRAFT WHERE APPLICABLE MUST REMAIN WITHIN DIMENSIONS	WATERIAL NO.		75757-2040	DOCUMENT NO.		
		SIZE		D	AS-75757-204		
		THIS DRAWING CONTAINS INFORMATION THAT IS PROPRIETARY TO MOLEX INCORPORATED AND SHOULD NOT BE USED WITHOUT WRITTEN PERMISSION		SHEET NO. 2 OF 2			



RECOMMENDED PCB LAYOUT

- NOTES:
1. TERMINAL MAT'L: ALLOY C26000, CARTRIDGE BRASS
 2. WAFER MAT'L: 30% GLASS FILLED LCP, 94V-0, COLOR BLACK.
 3. TERMINAL PLATING:
 - OPTION 4 - 1.54μm MIN MATTE TIN OVERALL OVER 1.254μm NICKEL OVERALL
 - OPTION 1 - 2.54μm MIN MATTE TIN OVERALL OVER 1.254μm NICKEL OVERALL
 - OPTION 2 - 1.254μm NICKEL OVERALL 2.54μm MIN SELECT MATTE TIN PC TAIL AREA 0.05-0.254μm SELECT GOLD CONTACT AREA
 - OPTION 3 - 1.254μm NICKEL OVERALL 2.54μm MIN SELECT MATTE TIN PC TAIL AREA 0.754μm SELECT GOLD CONTACT AREA
 4. HEADER ASSEMBLIES ARE TUBE PACKAGED PER PK-36518-340.
 5. ALL THE POSITIONAL TOLERANCES SHOULD BE MEASURED AT TIP OF THE TERMINALS.
 6. DATUMS SHOULD BE CONSIDERED FROM THE EDGES OF THE HOUSING.
 7. POSITION TOLERANCE OF PIN AT MATING SIDE SHOULD BE MAINTAINED AT 0.3MM IN THE FINAL MODULE BY CUSTOMER.
 8. [G] DENOTES DIMENSIONS THAT CAN BE QUALIFIED WITH A GAUGE
 9. **BLADE GEOMETRY DOES NOT CONFORM TO USCAR SPECIFICATIONS.**

Position Tol. del. added EC NO: 12017-0047 DRW:RGV CHKD: APPR:VUTTARKAR 2016/11/11 2017/01/24	QUALITY SYMBOLS	GENERAL TOLERANCES (UNLESS SPECIFIED)		DIMENSION STYLE	SCALE	DESIGN UNITS	THIRD ANGLE PROJECTION
	▽=0	mm	INCH	MM ONLY	4:1	METRIC	
	▽=0	4 PLACES ± --- ± ---		DRAWN BY	DATE	TITLE	
	▽=0	3 PLACES ± --- ± ---		TMCCLELL	1/18/05	MX150 DUAL ROW UNSHROUDED VERTICAL HEADER ASSEMBLY	
		2 PLACES ± 0.13 ± ---		CHECKED BY	DATE		
		1 PLACE ± 0.25 ± ---		TMCCLELL	1/18/05		
		0 PLACE ± ±		APPROVED BY	DATE		
				BANAK I S	1/18/05		
				ANGULAR ±1/2°			
				DRAFT WHERE APPLICABLE MUST REMAIN WITHIN DIMENSIONS			
				MATERIAL NO.		DOCUMENT NO.	
				SEE CHART		SD-75757-002	
				SIZE A 2		SHEET NO. 1 OF 2	
				THIS DRAWING CONTAINS INFORMATION THAT IS PROPRIETARY TO MOLEX INCORPORATED AND SHOULD NOT BE USED WITHOUT WRITTEN PERMISSION			

2 x 2	1	75757-5121	3.05	16.09	75757-1121	3.05	11.20	75757-1122	4.75	11.20	7.0	3.50 REF
	2	75757-5221			75757-1221			75757-1222				
	3	75757-5321			75757-1321			75757-1322				
	4	75757-5421			75757-1421			75757-1422				
2 x 3	1	75757-5131			75757-1131			75757-1132			10.5	7.00
	2	75757-5231			75757-1231			75757-1232				
	3	75757-5331			75757-1331			75757-1332				
	4	75757-5431			75757-1431			75757-1432				
2 x 4	1	75757-5141			75757-1141			75757-1142			14.0	10.50
	2	75757-5241			75757-1241			75757-1242				
	3	75757-5341			75757-1341			75757-1342				
	4	75757-5441			75757-1441			75757-1442				
2 x 6	1	75757-5161			75757-1161			75757-1162			21.0	17.50
	2	75757-5261			75757-1261			75757-1262				
	3	75757-5361			75757-1361			75757-1362				
	4	75757-5461			75757-1461			75757-1462				
2 x 8	1	75757-5181	75757-1181	75757-1182	28.0	24.50						
	2	75757-5281	75757-1281	75757-1282								
	3	75757-5381	75757-1381	75757-1382								
	4	75757-5481	75757-1481	75757-1482								
2 x 10	1	75757-5101	75757-1101	75757-1102	35.0	31.50						
	2	75757-5201	75757-1201	75757-1202								
	3	75757-5301	75757-1301	75757-1302								
	4	75757-5401	75757-1401	75757-1402								
CKT SIZE	PLATING OPTION	MATERIAL NUMBER	*C* DIM	*F* DIM	MATERIAL NUMBER	*C* DIM	*F* DIM	MATERIAL NUMBER	*C* DIM	*F* DIM	*A* DIM	*B* DIM

SEE SHEET 1 EC NO: I2017-0047 DRAWN BY: G CHKD: APPR: VITTARKAR 2017/04/24 REV	QUALITY SYMBOLS	GENERAL TOLERANCES (UNLESS SPECIFIED)	DIMENSION STYLE	SCALE	DESIGN UNITS	THIRD ANGLE PROJECTION
	▽=0	4 PLACES ± --- ± ---	MM ONLY	1:1	METRIC	MX150 DUAL ROW UNSHROUDED VERTICAL HEADER ASSEMBLY molex DOCUMENT NO. SD-75757-002 SHEET NO. 2 OF 2
	▽=0	3 PLACES ± --- ± ---	mm INCH	DRAWN BY DATE	TITLE	
	▽=0	2 PLACES ± 0.13 ± ---	TMCLELL 1/18/05	CHECKED BY DATE	TMCLELL 1/18/05	
▽=0	1 PLACE ± 0.25 ± ---	TMCLELL 1/18/05	APPROVED BY DATE	BANAKIS 1/18/05		
		0 PLACE ± ±	ANGULAR ±1/2°	MATERIAL NO.		
		DRAFT WHERE APPLICABLE MUST REMAIN WITHIN DIMENSIONS	SEE CHART			
			SIZE A2	THIS DRAWING CONTAINS INFORMATION THAT IS PROPRIETARY TO MOLEX INCORPORATED AND SHOULD NOT BE USED WITHOUT WRITTEN PERMISSION		