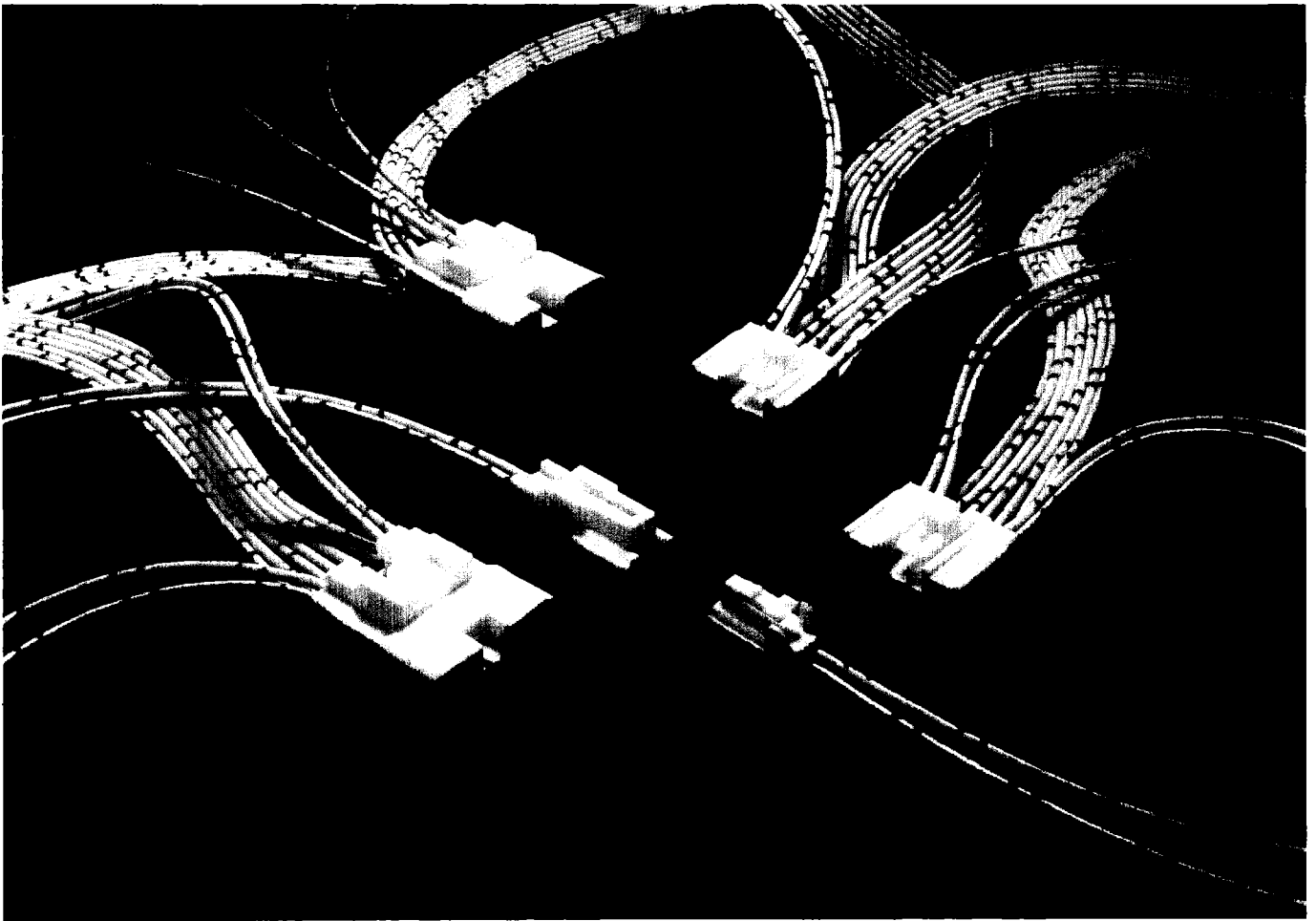


090-II CONNECTOR



090-II CONNECTOR

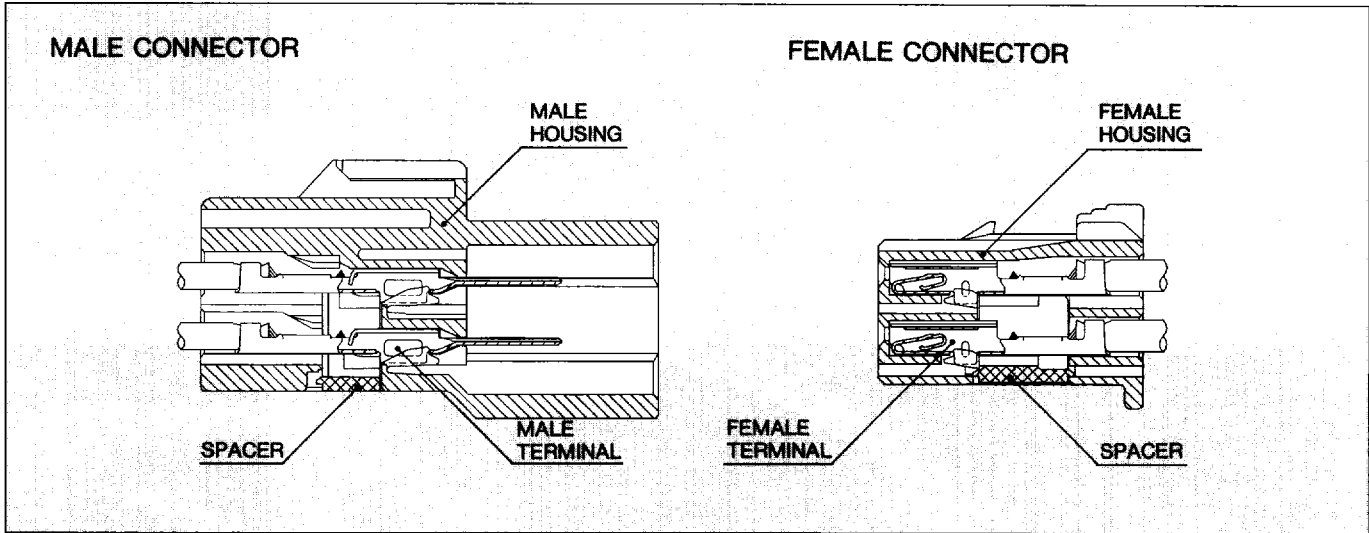
IMPROVED DESIGN OF THE 090 SIZE CONNECTOR FOR HIGHER RELIABILITY.

THE BLADE WIDTH OF THE MALE TERMINAL FOR THIS CONNECTOR IS 0.090 INCHES.

(DISTINCTIVE FEATURES)

- 1. DOUBLE TERMINAL LOCKING SYSTEM ELIMINATES TERMINAL PUSH-OUT.
(HOUSING LANCE, SIDE LOCK).**
- 2. CONNECTORS CANNOT BE MATED IF PRESET TERMINAL SPACER IS NOT IN THE FULL-LOCK POSITION.**

CONSTRUCTION



SPECIFICATIONS

MATERIAL	HOUSING	PBT
	MALE TERMINAL	BRASS (TIN PLATING)
	FEMALE TERMINAL	BRASS (TIN PLATING). COPPER ALLOY (TIN PLATING)
*CURRENT CAPACITY (REFERENCE)		10A
RESISTANCE AT LOW VOLTAGE		3mΩ MAX. (INITIAL VALUE)
INSULATION RESISTANCE		DC500V 100MΩ MIN.
DIELECTRIC STRENGTH		AC1000V (1 min.)

*CURRENT CAPACITY WILL BE AFFECTED BY CONDITIONS SUCH AS POLE QUANTITY, WIRE SIZE, AMBIENT TEMPERATURE, ETC.

PART NUMBER CHART

PART NAME	MALE TERMINAL	FEMALE TERMINAL
TERMINAL	7114-4020	7116-4020
	7114-4021	7116-4021
	7114-4022	7116-4022

PART NAME	POLES	MALE CONNECTOR	FEMALE CONNECTOR
HOUSING	1	—	7283-1011
	1	7282-1010	7283-1010
	1	7282-1012	7283-1010
	1	7282-1014	7283-1010
	2	—	7283-1021
	2	7282-1020	7283-1020
	2	7282-1022	7283-1020
	2	7282-1027	7283-1027
	2	7282-1028	7283-1028
	2	7282-8823	7283-1020
	2	7282-8824	7283-1020
	2	7282-8922	7283-8922
	3	—	7283-1132
	3	7282-1030	7283-1030
	3	7282-1138	7283-1138
	6	—	7283-1061

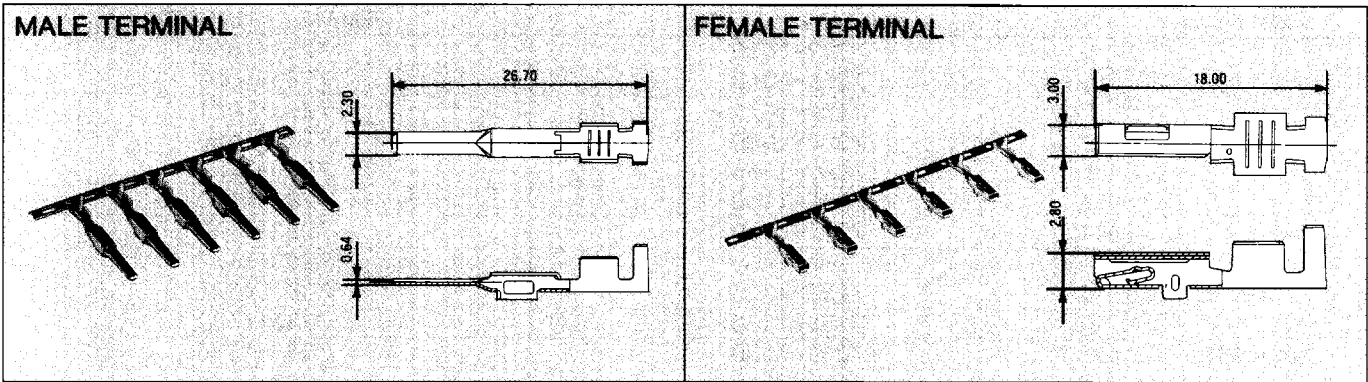
WHILE NATURAL COLOR IS THE STANDARD, OTHER COLORS ARE ALSO AVAILABLE AT YOUR REQUEST.

PART NAME	POLES	MALE CONNECTOR	FEMALE CONNECTOR
HOUSING	6	7282-1060	7283-1060
	6	7282-1068	7283-1068
	7	7282-1071	7283-1071
	8	7282-1080	7283-1080
	8	7282-1284	7283-1284
	10	7282-1100	7283-1100
	11	7282-1110	7283-1110
	12	—————	7283-1127
	12	7282-4325	7283-4325
	13	7282-1130	7283-1130
	13	7282-1530	7283-1130
	15	7282-1150	7283-1150
	15	7282-1152	7283-1152
	15	7282-1153-90	7283-1152-90
	16	7282-1160	7283-1160
	18	7282-1180	7283-1180
	20	7282-1200	7283-1200
	22	—————	7283-8229
	22	7282-1222	7283-1222
	25	7282-1154	7283-1154
25	7282-1154	7283-1154-90	

THESE PART NUMBERS ARE STANDARD PART NUMBERS. PLEASE ASK ABOUT COLOR OF CONNECTOR.

TERMINAL

UNIT:mm



■ SPECIFICATIONS


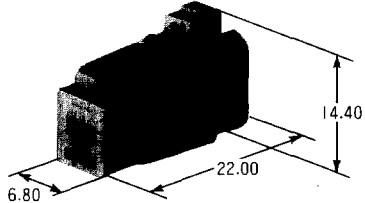
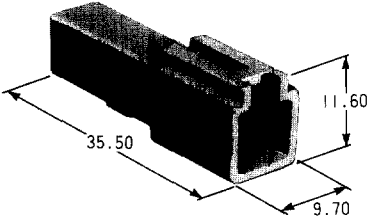
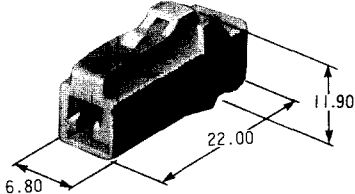
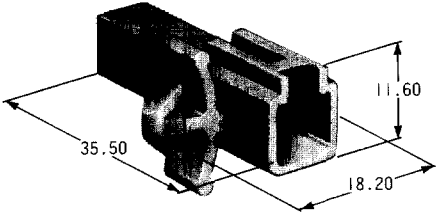
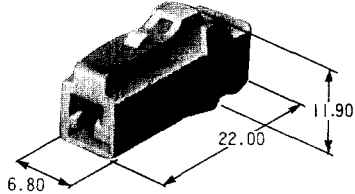
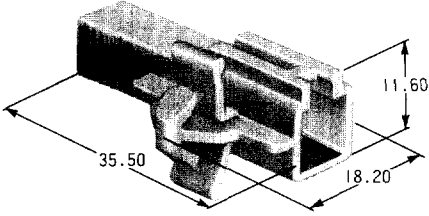
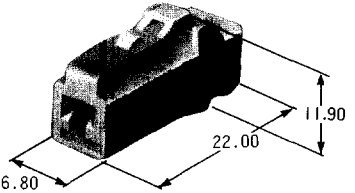

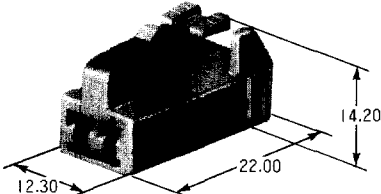
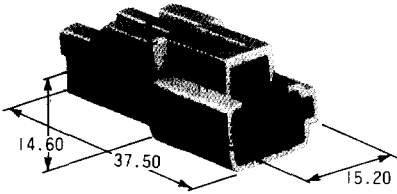
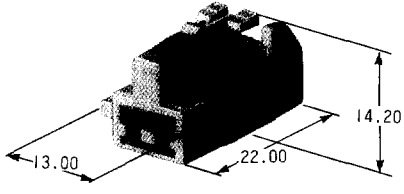
PART NAME	PART NUMBER	MATERIAL	TREATMENT	MATERIAL THICKNESS
MALE TERMINAL	7114-4020	BRASS	TIN PLATING	t=0.3
	7114-4021			
	7114-4022			
FEMALE TERMINAL	7116-4020	BRASS	TIN PLATING	t=0.25
	7116-4021	COPPER ALLOY		
	7116-4022			

● APPLICABLE WIRE CHART

PART NAME	WIRE SIZE (mm ²)	WIRE TYPE	PART NUMBER
MALE TERMINAL	0.3	AVS	7114-4020
		CAVS	7114-4020
	0.5	AVS	7114-4020
		CAVS	7114-4021
			7114-4021
	0.85	AVS	7114-4021
		CAVS	7114-4021
	1.25	AVS	7114-4021
		CAVS	7114-4021
	2f	AVSS	7114-4022
FEMALE TERMINAL	0.3	AVS	7116-4020
		CAVS	7116-4020
	0.5	AVS	7116-4020
		CAVS	7116-4021
			7116-4021
	0.85	AVS	7116-4021
		CAVS	7116-4021
	1.25	AVS	7116-4021
		CAVS	7116-4021
	2f	AVSS	7116-4022

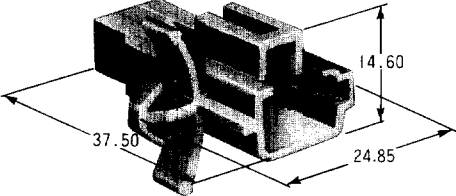
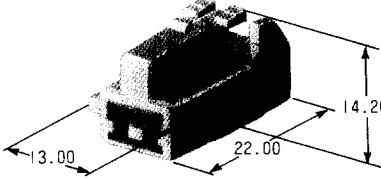
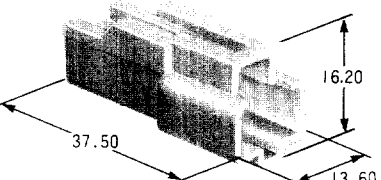
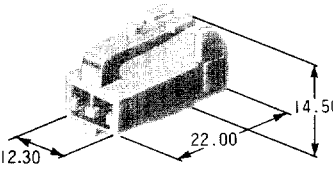
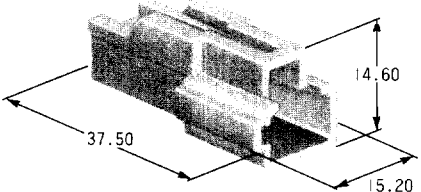
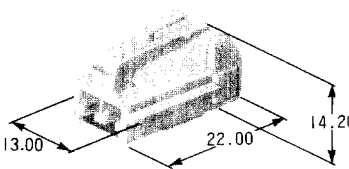
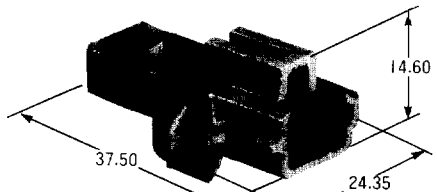
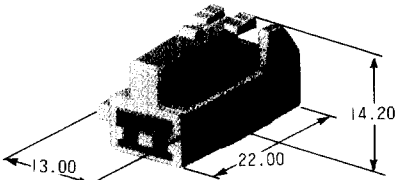
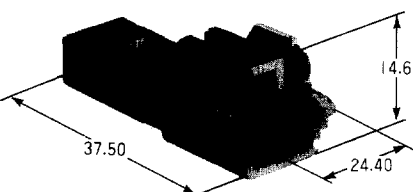
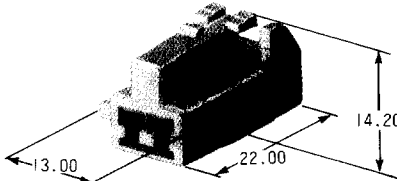
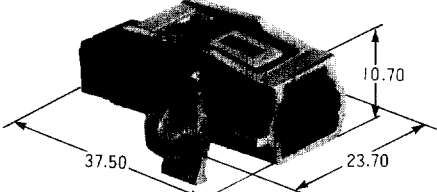
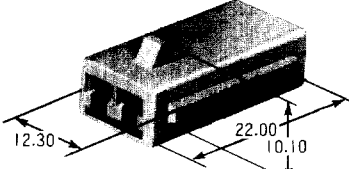
HOUSING MATERIAL: PBT (CHANGING FROM PBT TO HPA)

UNIT: mm

POLES	MALE HOUSING	FEMALE HOUSING
1		 <p>7283-1011</p>
1	 <p>7282-1010</p>	 <p>7283-1010</p>
1	 <p>7282-1012</p>	 <p>7283-1010</p>
1	 <p>7282-1014</p>	 <p>7283-1010</p>
2		 <p>7283-1021 (MATL: NYLON66)</p>
2	 <p>7282-1020</p>	 <p>7283-1020</p>


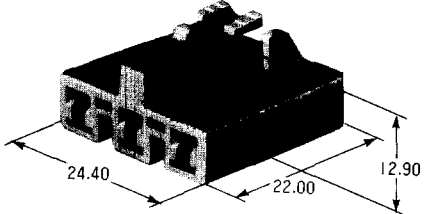
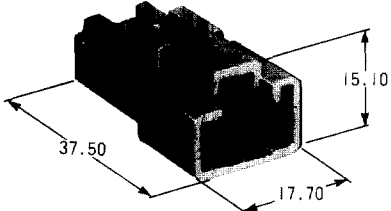
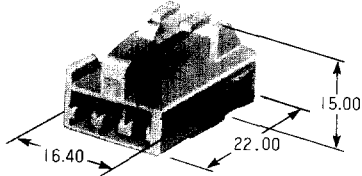
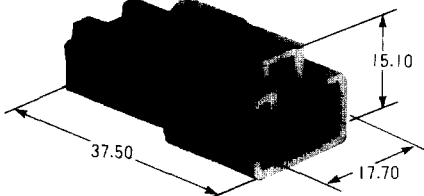
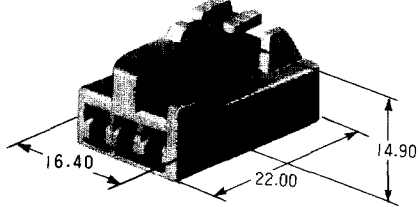

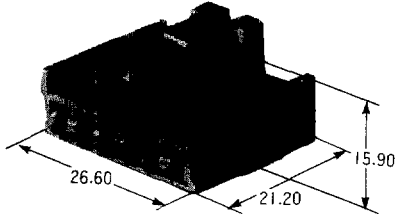

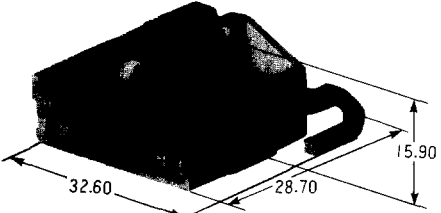
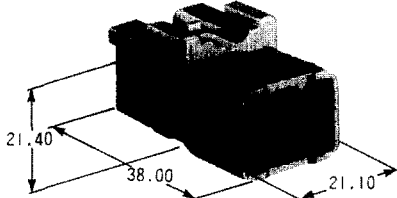
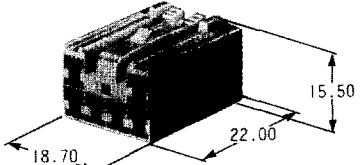
HOUSING MATERIAL: PBT (CHANGING FROM PBT TO HPA)

UNIT: mm

POLES	MALE HOUSING	FEMALE HOUSING
2	 <p data-bbox="438 616 598 649">7282-1022</p>	 <p data-bbox="1061 616 1220 649">7283-1020</p>
2	 <p data-bbox="438 907 598 940">7282-1027</p>	 <p data-bbox="1061 907 1220 940">7283-1027</p>
2	 <p data-bbox="438 1187 598 1220">7282-1028</p>	 <p data-bbox="1061 1187 1220 1220">7283-1028</p>
2	 <p data-bbox="438 1467 598 1500">7282-8823</p>	 <p data-bbox="1061 1467 1220 1500">7283-1020</p>
2	 <p data-bbox="438 1758 598 1792">7282-8824</p>	 <p data-bbox="1061 1758 1220 1792">7283-1020</p>
2	 <p data-bbox="438 2049 598 2083">7282-8922</p>	 <p data-bbox="1061 2049 1220 2083">7283-8922</p>

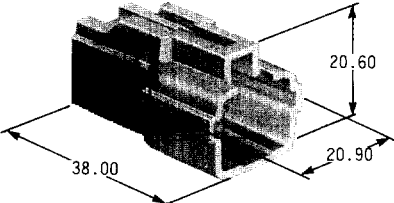
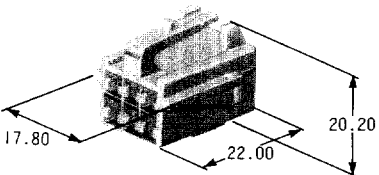
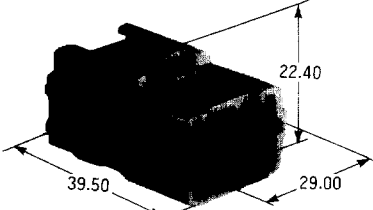
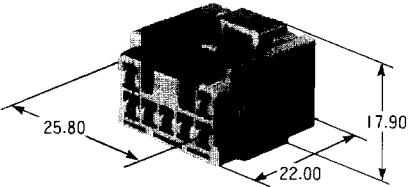
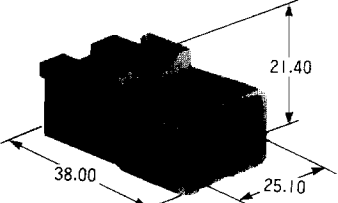
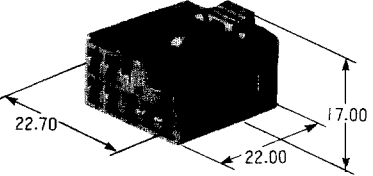
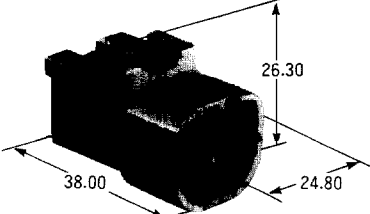
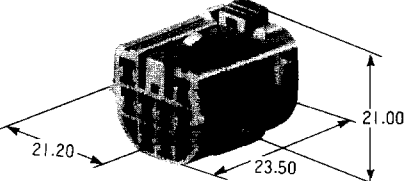
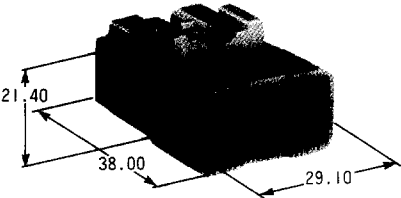
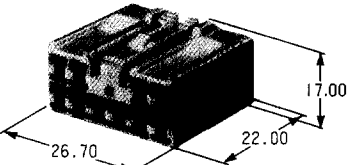

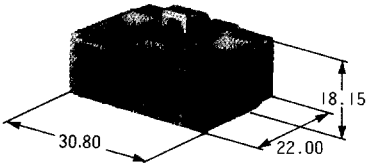
HOUSING MATERIAL: PBT (CHANGING FROM PBT TO HPA)

UNIT: mm

POLES	MALE HOUSING	FEMALE HOUSING
3		 <p data-bbox="1123 622 1283 651">7283-1132</p>
3	 <p data-bbox="496 909 655 938">7282-1030</p>	 <p data-bbox="1123 909 1283 938">7283-1030</p>
3	 <p data-bbox="496 1200 655 1229">7282-1138</p>	 <p data-bbox="1123 1200 1283 1229">7283-1138</p>
6		 <p data-bbox="1123 1485 1283 1514">7283-1061</p>
6		 <p data-bbox="1123 1769 1283 1798">7283-1062</p>
6	 <p data-bbox="496 2051 655 2080">7282-1060</p>	 <p data-bbox="1123 2051 1283 2080">7283-1060</p>

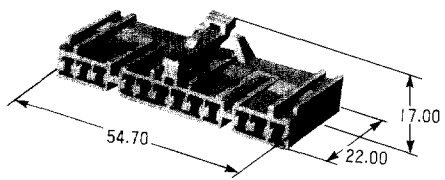
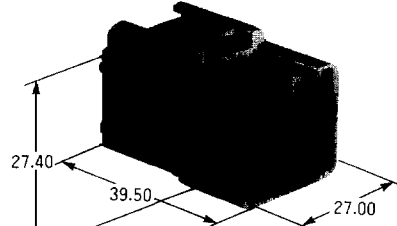
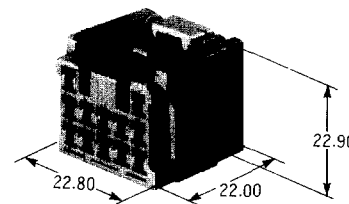
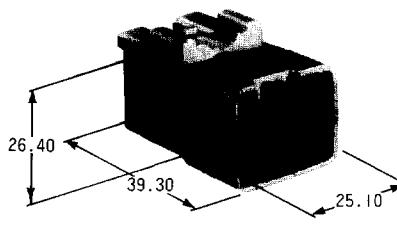
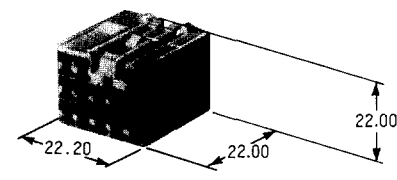
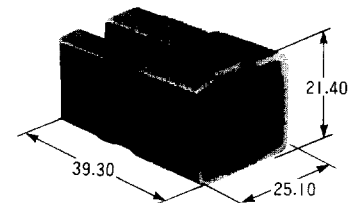
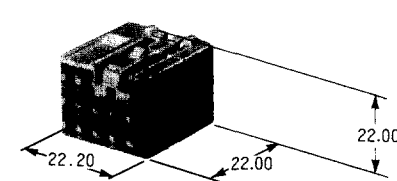
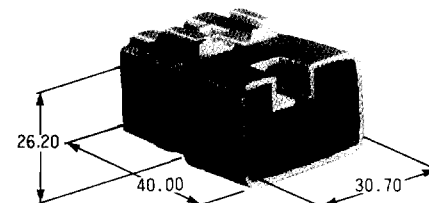
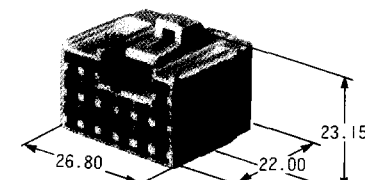
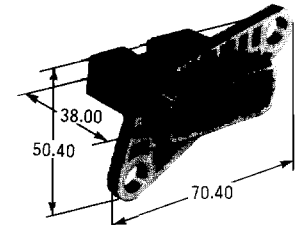
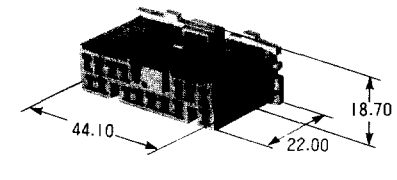
HOUSING MATERIAL: PBT (CHANGING FROM PBT TO HPA)

UNIT:mm

POLES	MALE HOUSING	FEMALE HOUSING
6	 <p>7282-1068</p>	 <p>7283-1068</p>
7	 <p>7282-1071</p>	 <p>7283-1071</p>
8	 <p>7282-1080</p>	 <p>7283-1080</p>
8	 <p>7282-1284</p>	 <p>7283-1284</p>
10	 <p>7282-1100</p>	 <p>7283-1100</p>
11	 <p>7282-1110</p>	 <p>7283-1110</p>

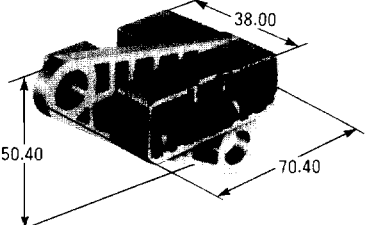
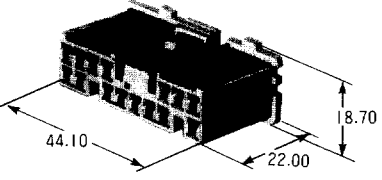
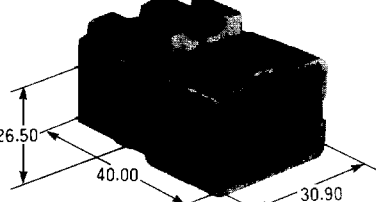
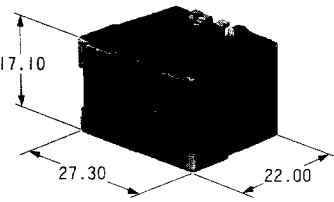
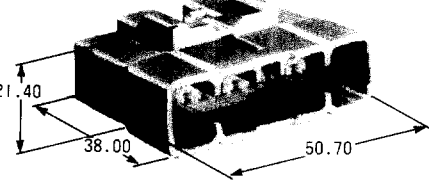
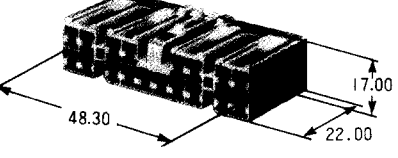
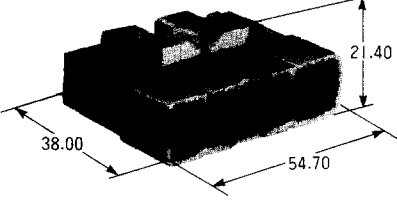
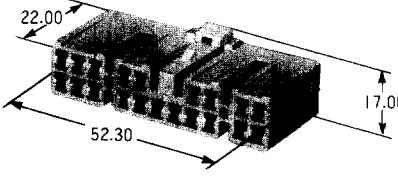
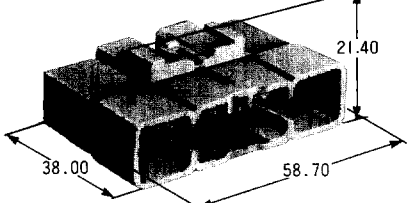
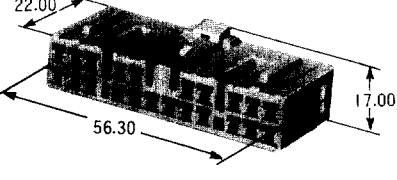
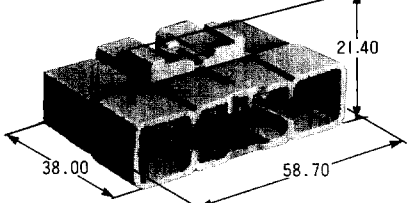
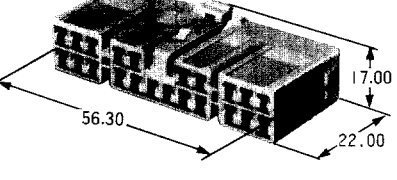
HOUSING MATERIAL: PBT (CHANGING FROM PBT TO HPA)

UNIT: mm

POLES	MALE HOUSING	FEMALE HOUSING
12		 <p>7283-1127</p>
12	 <p>7282-4325</p>	 <p>7283-4325</p>
13	 <p>7282-1130</p>	 <p>7283-1130</p>
13	 <p>7282-1530</p>	 <p>7283-1130</p>
15	 <p>7282-1150</p>	 <p>7283-1150</p>
15	 <p>7282-1152</p>	 <p>7283-1152</p>

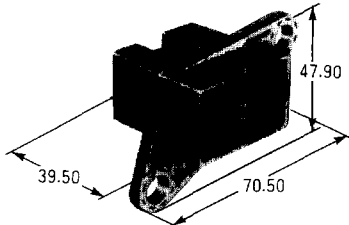
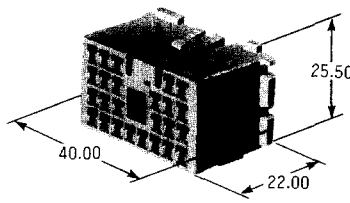
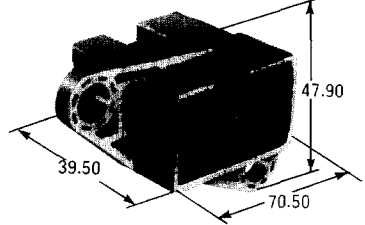
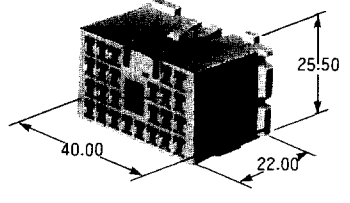
HOUSING MATERIAL: PBT (CHANGING FROM PBT TO HPA)

UNIT: mm

POLES	MALE HOUSING	FEMALE HOUSING
15	 <p>7282-1153-90</p>	 <p>7283-1152-90</p>
16	 <p>7282-1160</p>	 <p>7283-1160</p>
18	 <p>7282-1180</p>	 <p>7283-1180</p>
20	 <p>7282-1200</p>	 <p>7283-1200</p>
22	 <p>7282-1222</p>	 <p>7283-8229</p>
22	 <p>7282-1222</p>	 <p>7283-1222</p>

HOUSING MATERIAL: PBT (CHANGING FROM PBT TO HPA)

UNIT: mm

POLES	MALE HOUSING	FEMALE HOUSING
25	 <p>7282-1154</p>	 <p>7283-1154</p>
25	 <p>7282-1155-90</p>	 <p>7283-1154-90</p>