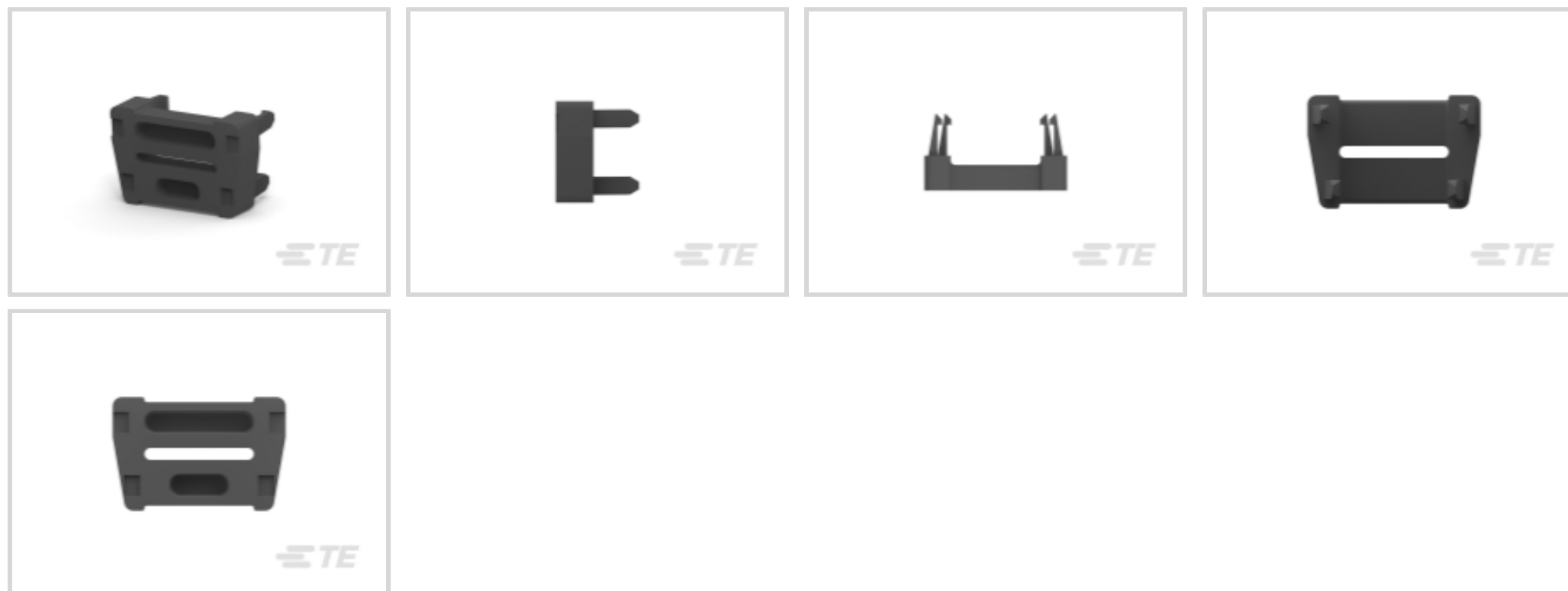




Connectors > D-Shaped Connectors > D-Sub Accessories > Locking & Mounting

D-Shaped Connector Accessories: **Strain Relief**Connector & Contact Terminates To: **Wire & Cable**

Features

Product Type Features

Grade	Standard
Product Type	Accessory
D-Shaped Connector Accessories	Strain Relief
Connector & Contact Terminates To	Wire & Cable

Body Features

Material	Thermoplastic
----------	---------------

Mechanical Attachment

Mounting Angle	Straight
PCB Mount Retention Type	None

Dimensions

	.759 in
--	---------

Operation/Application

For Use With	Cable Connectors
--------------	------------------

Packaging Features

Packaging Quantity	1
Packaging Method	Package

Product Compliance

[For compliance documentation, visit the product page on TE.com>](#)

EU RoHS Directive 2011/65/EU	Compliant
EU ELV Directive 2000/53/EC	Compliant
China RoHS 2 Directive MIIT Order No 32, 2016	No Restricted Materials Above Threshold
EU REACH Regulation (EC) No. 1907/2006	Current ECHA Candidate List: JUNE 2022 (224) Candidate List Declared Against: JUNE 2022 (224) Does not contain REACH SVHC
Halogen Content	Not Low Halogen - contains Br or Cl > 900 ppm.
Solder Process Capability	Not applicable for solder process capability

Product Compliance Disclaimer

This information is provided based on reasonable inquiry of our suppliers and represents our current actual knowledge based on the information they provided. This information is subject to change. The part numbers that TE has identified as EU RoHS compliant have a maximum concentration of 0.1% by weight in homogenous materials for lead, hexavalent chromium, mercury, PBB, PBDE, DBP, BBP, DEHP, DIBP, and 0.01% for cadmium, or qualify for an exemption to these limits as defined in the Annexes of Directive 2011/65/EU (RoHS2). Finished electrical and electronic equipment products will be CE marked as required by Directive 2011/65/EU. Components may not be CE marked. Additionally, the part numbers that TE has identified as EU ELV compliant have a maximum concentration of 0.1% by weight in homogenous materials for lead, hexavalent chromium, and mercury, and 0.01% for cadmium, or qualify for an exemption to these limits as defined in the Annexes of Directive 2000/53/EC (ELV). Regarding the REACH Regulation, the information TE provides on SVHC in articles for this part number is based on the latest European Chemicals Agency (ECHA) 'Guidance on requirements for substances in articles' posted at this URL: <https://echa.europa.eu/guidance-documents/guidance-on-reach>

Compatible Parts



Also in the Series | [AMPLIMITE HDF](#)



D-Sub Locking & Mounting(8)



IDC D-Sub Connectors(36)

Customers Also Bought



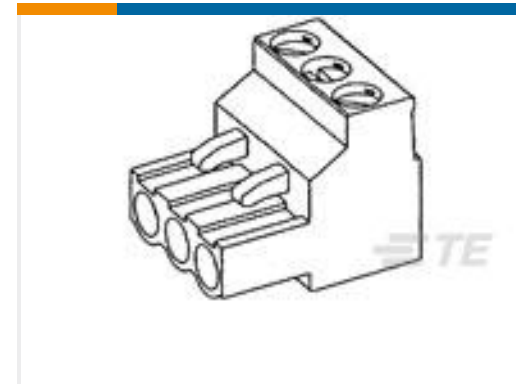
TE Part #1658615-4
IDC D-Sub: Plug Assembly, Low Profile, Signal, 2.77 mm



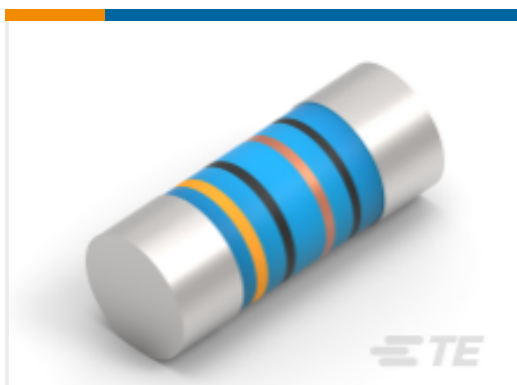
TE Part #1658614-4
09 POS HDF RCPT, AP, LEAD FREE



TE Part #6-1879022-9
SMD Power Resistor: 7 Watt, 200-2M Ohm



TE Part #796981-6
6 POS TERMI-BLOK R/A PLUG 7.62



TE Part #5-2176314-2
MELF SMA_A 2K7 1% 50PPM 0102 0.3 W



TE Part #1-1393586-2
V23535A2200A160=BKMOD421 HEADE

Documents

Product Drawings

009 LP HDF STRAIN RELIEF

English

CAD Files

3D PDF

3D

Customer View Model

[ENG_CVM_CVM_747275-4_L.2d_dxf.zip](#)

English

Customer View Model

[ENG_CVM_CVM_747275-4_L.3d_igs.zip](#)

English

Customer View Model

[ENG_CVM_CVM_747275-4_L.3d_stp.zip](#)

English

By downloading the CAD file I accept and agree to the [Terms and Conditions](#) of use.



Datasheets & Catalog Pages

[AMPLIMITE Subminiature D Connectors - Cable Connectors](#)

English

[AMPLIMITE Cable Connectors and Shielding Hardware Kits QRG](#)

English

Product Specifications

[Product Specification](#)

English

Product Environmental Compliance

[MD_747275-4_12122013833_dmtec](#)

English

[MD_747275-4_12122013833_dmtec](#)

English