

745230-4 ✓ ACTIVE

## AMPLIMITE

TE Internal #: 745230-4

D-Sub Connector Contacts, Socket, Size 20, Phosphor Bronze, Gold, Crimp, 22 – 18 AWG Wire Size, .4 – .8 mm<sup>2</sup> Wire Size, Cable-to-Cable, Wire & Cable

[View on TE.com >](#)



Connectors > D-Shaped Connectors > D-Sub Connector Contacts > D-Sub Conn Contacts: Socket, Phosphor Bronze, Signal, Size 20



Contact Type: **Socket**

D-Sub Contact Size: **20**

Contact Base Material: **Phosphor Bronze**

Contact Mating Area Plating Material: **Gold**

Termination Method to Wire & Cable: **Crimp**

[All D-Sub Conn Contacts: Socket, Phosphor Bronze, Signal, Size 20 \(58\)](#)

## Features

### Product Type Features

Product Type	Contact
Grade	Standard
Connector System	Cable-to-Cable
Connector & Contact Terminates To	Wire & Cable

### Body Features

Color Code	Yes
------------	-----

### Contact Features

	.04 in
Contact Color Bands	Green Dot
Contact Underplating Material	Nickel
PCB Contact Termination Area Plating Material	Gold Flash
Contact Type	Socket



D-Sub Contact Size	20
Contact Base Material	Phosphor Bronze
Contact Mating Area Plating Material	Gold
Contact Current Rating (Max)	3.1 A

#### Termination Features

Termination Method to Wire & Cable	Crimp
------------------------------------	-------

#### Mechanical Attachment

Contact Retention Type Within Housing	Snap-In
Wire Insulation Support	Without

#### Dimensions

	.068 in
Wire Size	.4 – .8 mm <sup>2</sup>

#### Usage Conditions

Operating Temperature Range	-55 – 105 °C[-67 – 221 °F]
-----------------------------	----------------------------

#### Operation/Application

Circuit Application	Signal
---------------------	--------

#### Packaging Features

Packaging Quantity	1000
Packaging Method	Loose Piece

#### Other

Comment	Wire insulation diameter is limited by the connector housing cavity and clearance for the insertion/extraction tool.
---------	--

#### Product Compliance

[For compliance documentation, visit the product page on TE.com>](#)

EU RoHS Directive 2011/65/EU	Compliant
EU ELV Directive 2000/53/EC	Compliant
China RoHS 2 Directive MIIT Order No 32, 2016	No Restricted Materials Above Threshold
EU REACH Regulation (EC) No. 1907/2006	Current ECHA Candidate List: JUNE 2022 (224) Candidate List Declared Against: JUNE 2022 (224) Does not contain REACH SVHC

Halogen Content	Low Halogen - Br, Cl, F, I < 900 ppm per homogenous material. Also BFR/CFR/PVC Free
Solder Process Capability	Not applicable for solder process capability

Product Compliance Disclaimer

This information is provided based on reasonable inquiry of our suppliers and represents our current actual knowledge based on the information they provided. This information is subject to change. The part numbers that TE has identified as EU RoHS compliant have a maximum concentration of 0.1% by weight in homogenous materials for lead, hexavalent chromium, mercury, PBB, PBDE, DBP, BBP, DEHP, DIBP, and 0.01% for cadmium, or qualify for an exemption to these limits as defined in the Annexes of Directive 2011/65/EU (RoHS2). Finished electrical and electronic equipment products will be CE marked as required by Directive 2011/65/EU. Components may not be CE marked. Additionally, the part numbers that TE has identified as EU ELV compliant have a maximum concentration of 0.1% by weight in homogenous materials for lead, hexavalent chromium, and mercury, and 0.01% for cadmium, or qualify for an exemption to these limits as defined in the Annexes of Directive 2000/53/EC (ELV). Regarding the REACH Regulation, the information TE provides on SVHC in articles for this part number is based on the latest European Chemicals Agency (ECHA) 'Guidance on requirements for substances in articles' posted at this URL: <https://echa.europa.eu/guidance-documents/guidance-on-reach>

### Compatible Parts

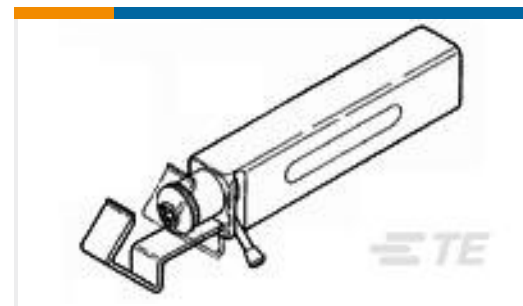
 <p>TE Part # 1579007-9 EXTRACTION TOOL</p>	 <p>TE Part # 91513-1 CCII HD-20 PIN SKT 22-18 ASSY</p>	 <p>TE Part # 91285-1 INSERT/EXTRACT TOOL ASSEMBLY</p>	 <p>TE Part # 2-2836119-1 OCEAN-2.0-APPLICATOR-S-062F</p>
 <p>TE Part # 2-2836119-2 OCEAN-2.0-APPLICATOR-S-062FA</p>	 <p>TE Part # 2836119-1 OCEAN-2.0-APPLICATOR-S-062F</p>	 <p>TE Part # 2836119-2 OCEAN-2.0-APPLICATOR-S-062FA</p>	

### Customers Also Bought

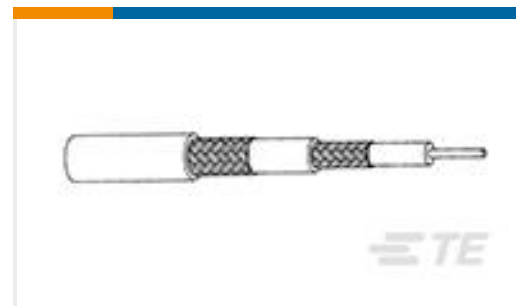
 <p>TE Part #205205-7 CRIMP SNAP RCPT ASSY,SIZE 2</p>	 <p>TE Part #5205208-1 CRIMP SNAP PLUG ASSY, 25 POS</p>	 <p>TE Part #31887 PIDG R 22-16 COMM 22-18 MIL 10</p>	 <p>TE Part #2273100-3 M12 x 1.0 angled plug pigt shld A</p>
--	--	--	---



TE Part #2-320861-2  
TERMINAL,PIDG SPD FLG 16-14 6



TE Part #606700-1  
CABLE STRIPPER 1.00"DIA.



TE Part #445818-000  
7522D5311-0



TE Part #87159-5  
04 MODI CRMP S-I HSG SR .156CL



TE Part #1-480703-2  
04P UMNL CAP HSG RED

## Documents

### Product Drawings

#### 20 DF SOCKET CONTACT L.P.

English

### CAD Files

#### Customer View Model

[ENG\\_CVM\\_CVM\\_745230-4\\_AA.2d\\_dxf.zip](#)

English

#### 3D PDF

3D

#### Customer View Model

[ENG\\_CVM\\_CVM\\_745230-4\\_AA.3d\\_igs.zip](#)

English

#### Customer View Model

[ENG\\_CVM\\_CVM\\_745230-4\\_AA.3d\\_stp.zip](#)

English

By downloading the CAD file I accept and agree to the [Terms and Conditions](#) of use.

### Datasheets & Catalog Pages

#### Signal Contacts

English

### Product Specifications

#### Application Specification

English

#### Application Specification

English



### Product Environmental Compliance

[MD\\_745230-4\\_04072014119\\_dmtec](#)

English

[MD\\_745230-4\\_04072014119\\_dmtec](#)

English

---

### Instruction Sheets

[Instruction Sheet \(U.S.\)](#)

English