

090-II CONN. + 187 CONN. + 312 CONN. (HYBRID TYPE)

SPECIFICATIONS

SHALL BE REFERED TO 090-II CONN. (P.14),187 CONN.(P.26) AND 312 CONN.(P.30)

PART NUMBER CHART


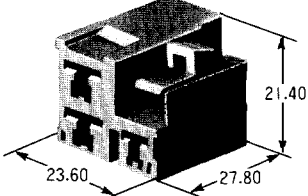
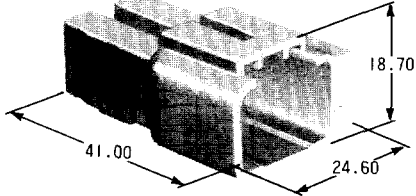
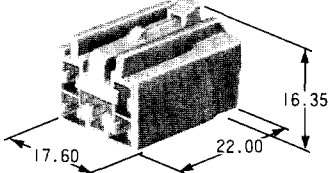
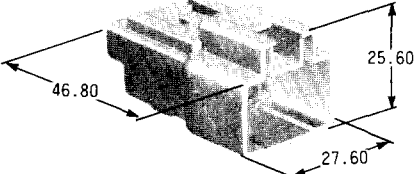
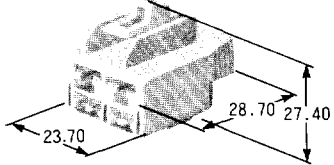
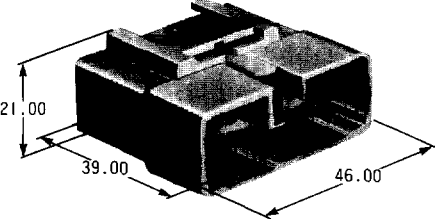
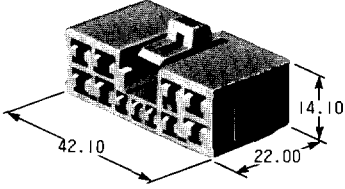
TERMINAL SHALL BE REFERED TO 090-II CONN.(P.16),187 CONN. (P.27) AND 312 CONN.(P.31).

PART NAME	POLES			MALE CONNECTOR	FEMALE CONNECTOR
	090II	187	312		
HOUSING	3		1P 2P	—	7283-3031
	5	4P	1P	7282-1054	7283-1054
	6	4P		7282-1064	7283-1064
	11	4P	7P	7282-1118	7283-1118
	12	10P	2P	7282-1128	7283-1128
	14	12P	2P	7282-1148	7283-1148
	16	12P	4P	7282-1168	7283-1168
	19	18P	1P	7282-1198	7283-1198
	19	18P		7282-1194	7283-1194
	24	20P	4P	7282-1248	7283-1248
	43	38P	4P	7282-7033-10	7283-7033-10
	49	40P	4P	7282-1091	7283-1091
	55	27P		7282-1270	7283-1151
24P		4P	7282-1282		
PCB CONNECTOR (HORIZONTAL TYPE)	8	4P	4P	7382-1285	7283-1285

HOUSING MATERIAL: PBT

(CHANGING FROM PBT TO HPA)

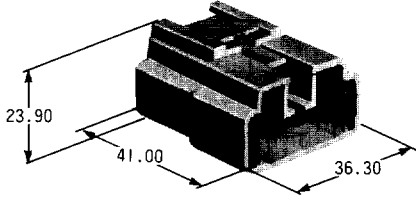
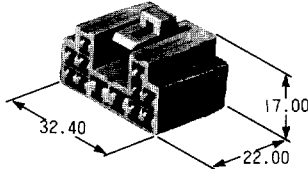
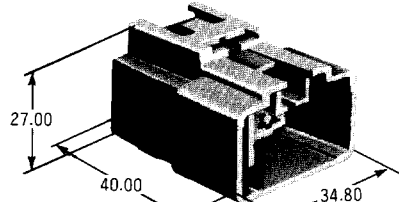
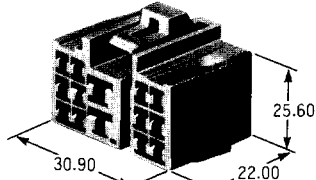
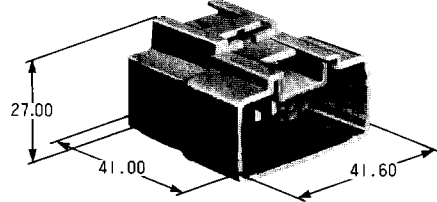
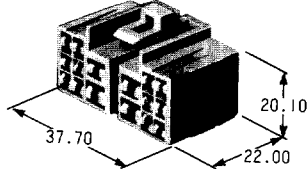
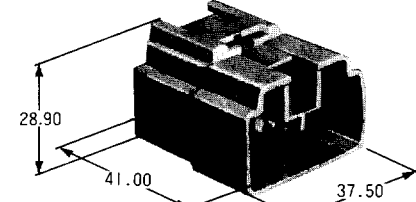
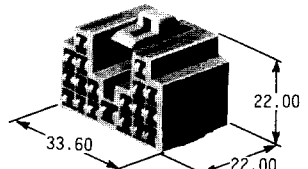
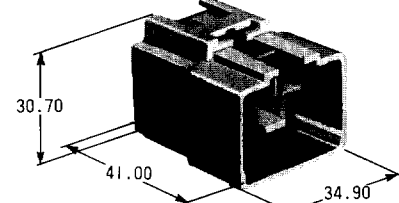
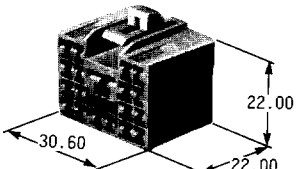
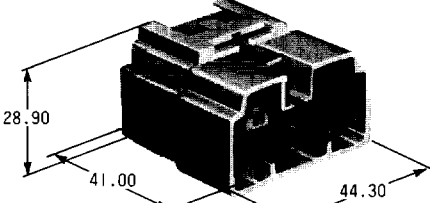
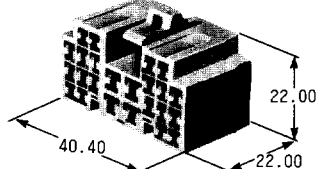
UNIT: mm

POLES		MALE HOUSING	FEMALE HOUSING
3	187 1P + 312 2P		 7283-3031
5	090II 4P + 187 1P	 7282-1054	 7283-1054
6	090II 4P + 312 2P	 7282-1064	 7283-1064
11	090II 4P + 187 7P	 7282-1118	 7283-1118

HOUSING MATERIAL: PBT

(CHANGING FROM PBT TO HPA)

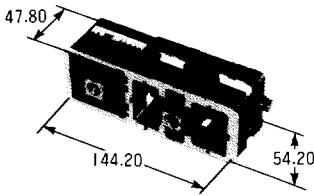
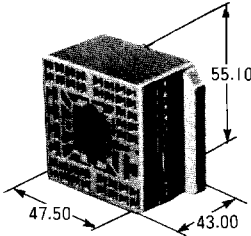
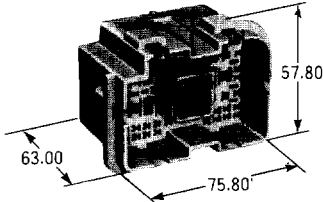
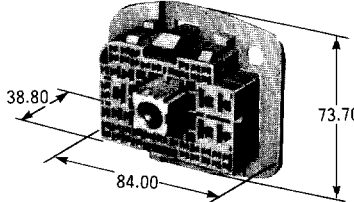
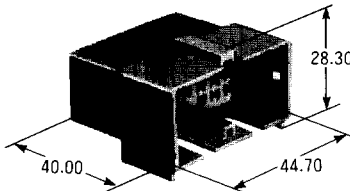
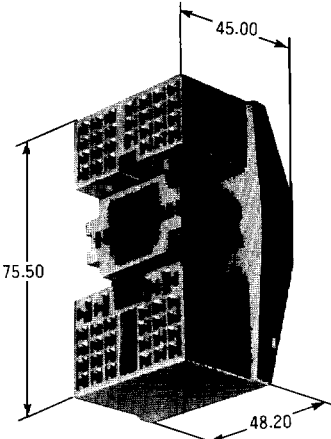
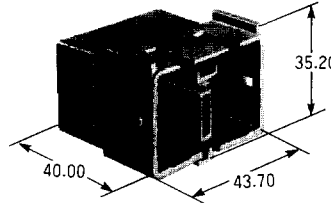
UNIT:mm

POLES		MALE HOUSING	FEMALE HOUSING
12	090II 10P + 187 2P	 <p>23.90 41.00 36.30</p> <p>7282-1128</p>	 <p>17.00 32.40 22.00</p> <p>7283-1128</p>
14	090II 12P + 187 2P	 <p>27.00 40.00 34.80</p> <p>7282-1148</p>	 <p>25.60 30.90 22.00</p> <p>7283-1148</p>
16	090II 12P + 187 4P	 <p>27.00 41.00 41.60</p> <p>7282-1168</p>	 <p>20.10 37.70 22.00</p> <p>7283-1168</p>
19	090II 18P + 187 1P	 <p>28.90 41.00 37.50</p> <p>7282-1198</p>	 <p>22.00 33.60 22.00</p> <p>7283-1198</p>
19	090II 18P + 312 1P	 <p>30.70 41.00 34.90</p> <p>7282-1194</p>	 <p>22.00 30.60 22.00</p> <p>7283-1194</p>
24	090II 20P + 187 4P	 <p>28.90 41.00 44.30</p> <p>7282-1248</p>	 <p>22.00 40.40 22.00</p> <p>7283-1248</p>

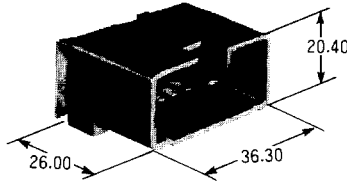
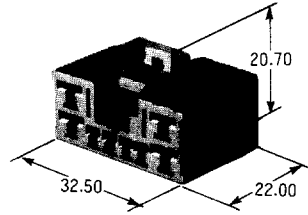
HOUSING MATERIAL: PBT

(CHANGING FROM PBT TO HPA)

UNIT: mm

POLES		MALE HOUSING	FEMALE HOUSING
43	090II 38P + 187 4P + 312 1P	 <p>7282-7033-10</p>	 <p>7283-7033-10</p>
	090II 40P + 187 4P + 312 5P	 <p>7282-1091</p>	 <p>7283-1091</p>
55	090II 27P	 <p>7282-1270</p>	 <p>7283-1151</p>
	090II 24P + 187 4P	 <p>7282-1282</p>	

PCB CONNECTOR (HORIZONTAL TYPE) MATERIAL: PBT

POLES		MALE HOUSING	FEMALE HOUSING
8	090II 4P + 187 4P	 <p>7382-1285</p>	 <p>7283-1285</p>