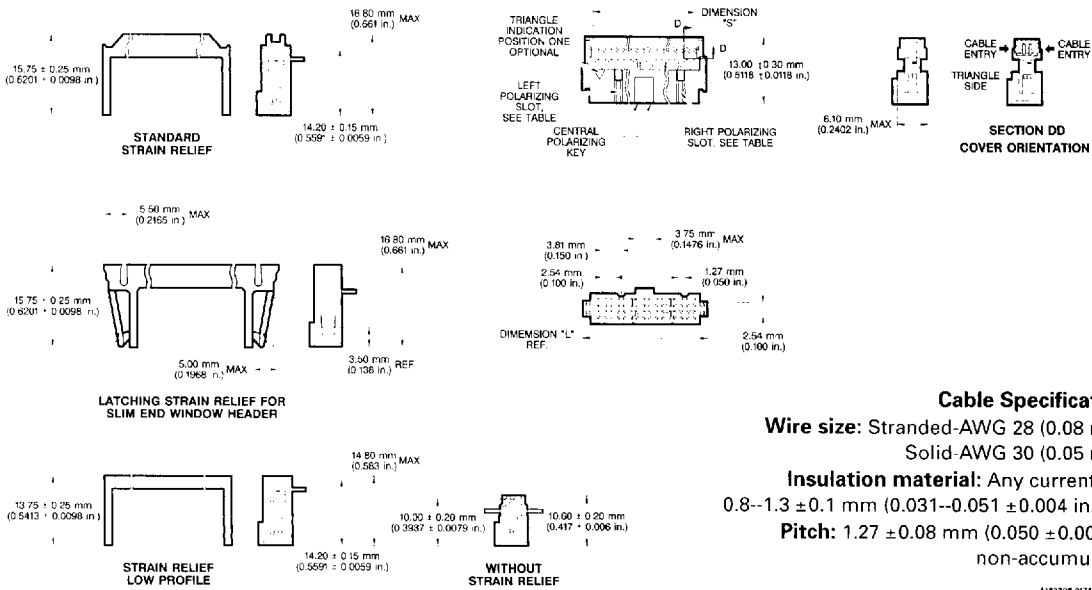
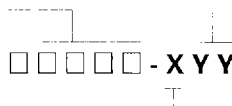


Description Quickie™ III IDC Receptacles



Ordering Data

Base number specifies plating type



Last two digits specify total positions for each base number

Specifies polarization and strain relief type

Number of Positions	Base Numbers								Dimensions			
	71600 (30 μin. gold) and 71601 (15 μin. gold) and 71602 (30 μin. GXT™)				Dash Number -- dual polarization only*				S		L	
	Dash Number -- center and dual polarization*								mm	in.	mm	in.
2 x 3**	-106	-006	-606	-206	-406	-306	-706	-506	8.25	0.325	12.08	0.476
2 x 4**	-108	-008	-608	-208	-408	-308	-708	-508	10.79	0.425	14.62	0.576
2 x 5***	-110	-010	-610	-210	-410	-310	-710	-510	13.33	0.525	17.16	0.676
2 x 7***	-114	-014	-614	-214	-414	-314	-714	-514	18.41	0.725	22.24	0.876
2 x 8	-116	-016	-616	-216	-416	-316	-716	-516	20.95	0.825	24.78	0.976
2 x 9	-118	-018	-618	-218	-418	-318	-718	-518	23.49	0.925	27.32	1.076
2 x 10	-120	-020	-620	-220	-420	-320	-720	-520	26.03	1.025	29.86	1.176
2 x 12	-124	-024	--	--	-424	-324	--	--	31.11	1.225	34.94	1.376
2 x 13	-126	-026	-626	-226	-426	-326	-726	-526	33.65	1.325	37.48	1.476
2 x 15	-130	-030	-630	-230	-430	-330	-730	-530	38.73	1.525	42.56	1.676
2 x 17	-134	-034	-634	-234	-434	-334	-734	-534	43.81	1.725	47.64	1.876
2 x 20	-140	-040	-640	-240	-440	-340	-740	-540	51.43	2.025	55.26	2.176
2 x 22	-144	-044	-644	-244	-444	-344	-744	-544	56.51	2.225	60.34	2.376
2 x 25	-150	-050	-650	-250	-450	-350	-750	-550	64.13	2.525	67.96	2.676
2 x 30	-160	-060	-660	-260	-460	-360	-760	-560	76.83	3.025	80.66	3.176
2 x 32	-164	-064	-664	-264	-464	-364	-764	-564	81.91	3.225	85.74	3.376

Ordering data shown is for our standard product offering. For non-standard or custom products, contact your authorized Berg Electronics representative.

*Polarizing keys must be installed into the Berg Electronics headers to function with dual-polarization slots.

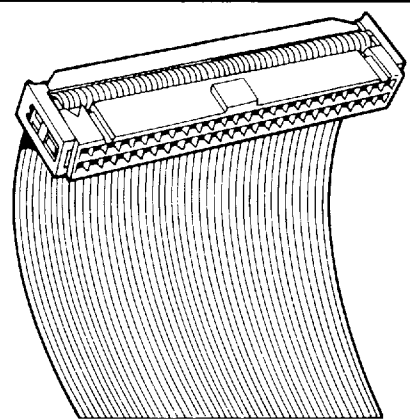
**Center key option has no dual-polarization slots. Non-center-key option includes right dual-polarization slot only.

***Center key option and non-center-key option include right dual-polarization slot only.

Round Conductor, Flat Cable IDC Connectors

2.54 x 2.54 mm (0.100 x 0.100 in.)
Centerlines

Quickie™ III IDC Receptacle



Features

- 2-Row: 6 through 64 total positions.
- Accepts 28 AWG (stranded) or 30 AWG (solid) cable.
- Standard plating available in 0.76 µm (30 µin.) gold and 0.76 µm (30 µin.) GXT™ (palladium-nickel alloy with gold flash).
- IDC receptacle designed according to industry standards.
- Hertz Dot concentrates the contact pressure, reducing contact resistance and increasing contact integrity.
- Pre-loaded bridge-type cover suits a wide range of cables, reduces assembly time, protects contacts, and offers precise cover-to-base alignment ensuring a reliable termination.
- Early-entry single-beam contact provides long wiping action during mating cycle.
- Comprehensive range of connector sizes.

Options

- Dual polarization with or without center key.
- Open and closed covers available.

- Receptacles using standard and low-profile strain relief mate to headers with standard latches. Refer to header accessories page 23-50.
- Receptacles without strain relief mate to headers with low-profile latches. Refer to header accessories page 23-50.
- Receptacles with latching strain relief mate with Slimline headers with end windows.
- Polarization by means of a polarization plug (P/N 89826-001) or industry standard center key or military keys.

Mating Data


Mates with 0.64 mm (0.025 in.) square or round pin from 4.32 mm (0.170 in.) min to 6.35 mm (0.250 in.) max. A nominal 5.84 mm (0.230 in.) length is recommended.


Berg Electronics Products Page

- Quickie II and III Headers. 23-16 to 23-49
- BergStik 2-Row Straight and Right-Angle Headers. 13-54, 13-56 & 13-61
- BergPins 13-106 to 13-116

Specifications

Compatible with MIL-C-83503 Approvals and Certifications

 File no. E66906

 File no. LR46923

Application Equipment

Description	Page
▪ Hand-operated cable cutter HT-209A	23-65
▪ Hand tool HT-210A	23-65
▪ Hand-operated bench press QP-104	23-64
▪ Semi-automatic bench assembly machine QP-106	23-64
▪ Semi-automatic press QP-112	23-64
▪ Fully-automatic assembly machine QP-113	23-65

Accessories

See receptacle accessory page 23-14 for pull tab and polarization plug data.

Technical Data

Materials

- Housing material Glass-filled thermoplastic polyester (UL 94 V-0)
 - ▶ Color Gray
- Contact body material Phosphor-bronze

Plating

- Underplate 1.27 µm (50 µin.) min nickel
- Finish 0.38 µm (15 µin.) gold or 0.76 µm (30 µin.) min gold or 0.76 µm (30 µin.) min GXT™

Electrical Performance

- Insulation resistance. 5 x 10⁴ MΩ min initial
- Resistance 15 mΩ max
- Withstanding voltage. >1000 V ac rms (sea level)

- Current rating 1 amp continuous

Mechanical Performance

- Insertion force per contact. For this
- Normal force per contact. data,
- Withdrawal force per contact see
- Contact retention force. BUS-12-095
- Durability (mating cycles) Specification

Operating Environment

- Temperature range. -65°C to +105°C

Packaging

- Antistatic tubes

Customer Support Materials

Description	Order No.	Description	Order No.
Customer Product Drawing	By Part Number	Product Sample.	Upon Request
Product Specifications.	BUS-12-095		

9005411 0002826 673