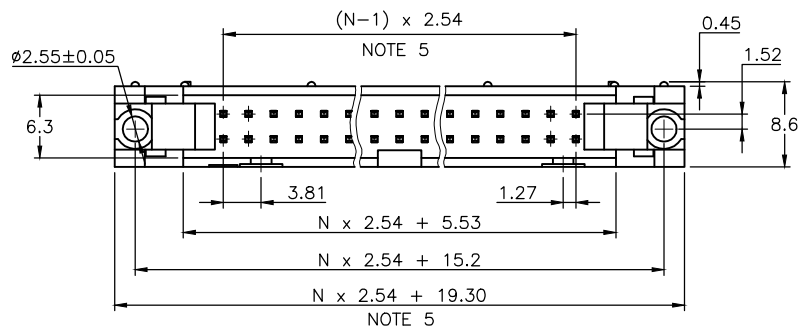


PRODUCT NUMBER

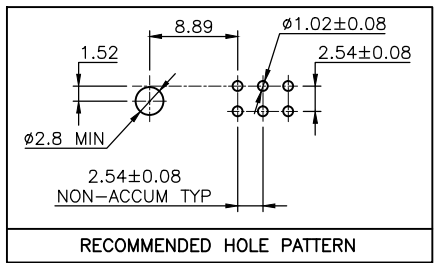
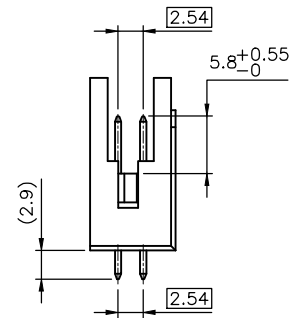
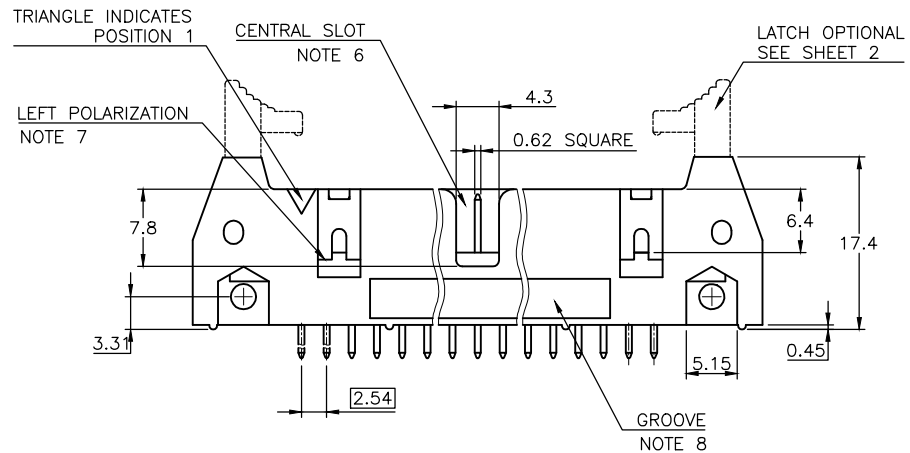
71918-YXXZZLF

- RøHS COMPATIBLE, SEE NOTE 10
- S= SPECIFIC CUSTOMER PLATING OPTION.
- COLOR OPTION, SEE NOTE 1
- TOTAL NB OF POSITIONS, SEE SHEET 2
- LATCHING
- 0= WITHOUT LATCH
- 1= STANDARD LATCH
- 2= LOW PROFILE LATCH



NOTES:

- 1 - HOUSING MATERIAL: GLASS FILLED THERMOPLASTIC UL94V-0
= STANDARD COLOR GREY
B = OPTION COLOR BLACK
- 2 - PIN MATERIAL : PHOSPHOR BRONZE
- 3 - PRODUCT PACKAGED IN TUBES
- 4 - 40N MIN LATCH RETENTION FORCE AT FIRST EXTRACTION
- 5 - TO DETERMINE DIMENSIONS :
N = NUMBER OF POSITIONS PER ROW
EXAMPLE : 8 POS N x 2.54 = 20.32mm
- 6 - NO CENTRAL SLOT ON POSITIONS 6 & 8
- 7 - NO LEFT POLARIZATION ON POSITIONS 06, 08, 10, 14.
- 8 - NO GROOVE ON POSITIONS 06, 08, 10, 14, 30, 34
- 9 - 4.5mm SOLDER TAIL
ORDER 71918-4XX (WITH STANDARD LATCH ONLY)
- 10 - RøHS COMPATIBLE PRODUCT SPECIFICATIONS
 - a - PLATING:
 - "LF" MEANS THE PRODUCT IS LEAD-FREE, 2µm MINIMUM MATTE TIN OVER 1.27µm MINIMUM NICKEL UNDERPLATE.
 - b - MANUFACTURING PROCESS COMPATIBILITY
 - THE HOUSING WILL WITHSTAND EXPOSURE TO 260°C ±5°C SOLDER BATH TEMPERATURE FOR 5 SECONDS IN A WAVE SOLDER APPLICATION WITH A 1.6mm MIN THICK CIRCUIT BOARD.
 - c - LABELING:
 - MEETS PACKAGING SPECS AS PER GS-14-920
 - d - LEGAL STATEMENT: SEE GS-47-0004.



mat'l. code	surface	tolerance	projection	product family
SEE NOTES	ISO 1302 ✓	ISO 406 ISO 1101	QUICKIE	
ltr ecn no dr date	tolerances unless otherwise specified		mm	title
Y F12-0838 LMU 12.12.06	angles	.X ±0.3	scale 2:1	SHR.EL.HEADER
AA B-16776 LMU 14.01.23	linear	.XX ±0.13		STR DR TMT
AB B-17853 LMU 14.06.05		.XXX ±0.05		dwg no
AC B-19091 LMU 14.10.16	dr	D.LE	01.01.24	sheet 1 of 2
AD B-20412 BVE 15.03.10	engr	JM.C	01.01.24	71918
	chr	JF.N	01.01.24	A3
X F12-0011 LMU 12.02.06	appd	JM.C	01.01.24	type
sheet revision AD X				CUSTOMER Drawing
index sheet 1 2				



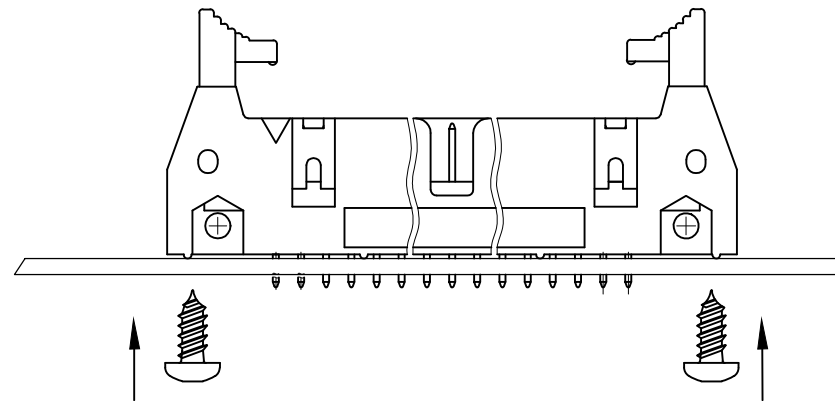
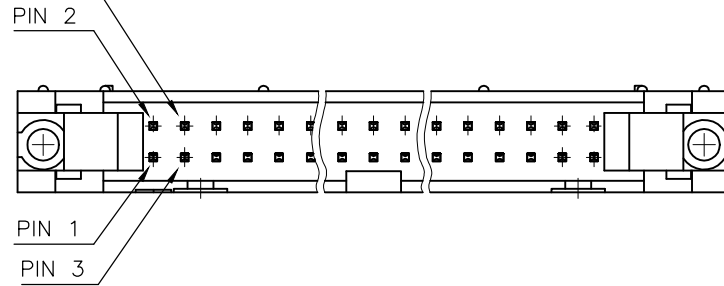
Copyright FCI

PRODUCT NUMBER	SIZE	LATCHING AVAILABILITY	MISSING PIN POSITIONS
71918-X06(B)LF	2x3	0/1/2	
71918-X08(B)LF	2x4	0/1/2	
71918-X10(B)LF	2x5	0/1/2	
71918-X14(B)LF	2x7	0/1/2	
71918-X16(B)LF	2x8	0/1/2	
71918-X18(B)LF	2x9	0/1/2	
71918-X20(B)LF	2x10	0/1/2	
71918-X26(B)LF	2x13	0/1/2	
71918-X27(B)LF	2x13	0/1/2	PIN 21 & 22
71918-X28(B)LF	2x13	0/1/2	PIN 5 to 12
71918-X30(B)LF	2x15	0/1/2	
71918-X34(B)LF	2x17	0/1/2	
71918-X35(B)LF	2x17	0/1/2	PIN 2 & 3
71918-X40(B)LF	2x20	0/1/2	
71918-X44(B)LF	2x22	0/1/2	
71918-X50(B)LF	2x25	0/1/2	
71918-X51(B)LF	2x25	0/1/2	PIN 39 to 46
71918-X60(B)LF	2x30	0/1/2	
71918-X64(B)LF	2x32	0/1/2	

PLATING :

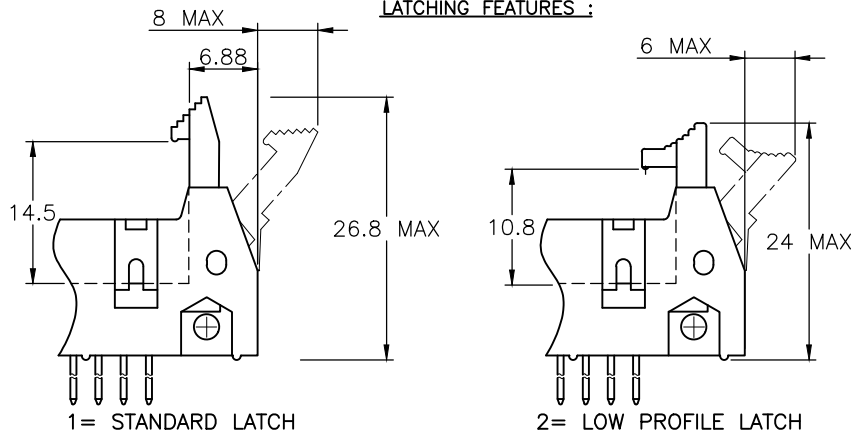
- 0.76µm GOLD/GXT (PdNi WITH GOLD FLASH) ON CONTACT AREA
- 2µm MIN MATTE TIN ON TAIL
- UNDERPLATE : 1.27µm Ni MIN

PIN POSITION INDICATION FOR POLARIZED VERSIONS



WHEN THE CONNECTORS NEED TO BE FIXED ON THE PCB'S THE STAINLESS SCREWS REF TC POZI DIN7981 Ø2.9 X 6.5MM TO BE USED

LATCHING FEATURES :



mat'l. code		surface		tolerance		projection		product family	
		ISO 1302 ✓		ISO 406 ISO 1101		mm		QUICKIE	
ltr ecn no dr date		tolerances unless otherwise specified		angles		linear		title	
R F07-0195 LMU 07.05.25								SHR.EL.HEADER	
S F08-0146 YOV 08.04.11								STR DR TMT	
T F12-001 LMU 12.02.06								scale 2:1	
U F12-0838 LMU 12.12.06		dr		D.LE		01.01.24		dwg no	
V B-16776 LMU 14.01.23		engr		JM.C		01.01.24		sheet 2 of - size	
W B-19091 LMU 14.10.16		chr		JF.N		01.01.24		71918 A3	
X B-20412 BVE 15.03.10		appd		JM.C		01.01.24		type	
sheet index		revision sheet						CUSTOMER Drawing	