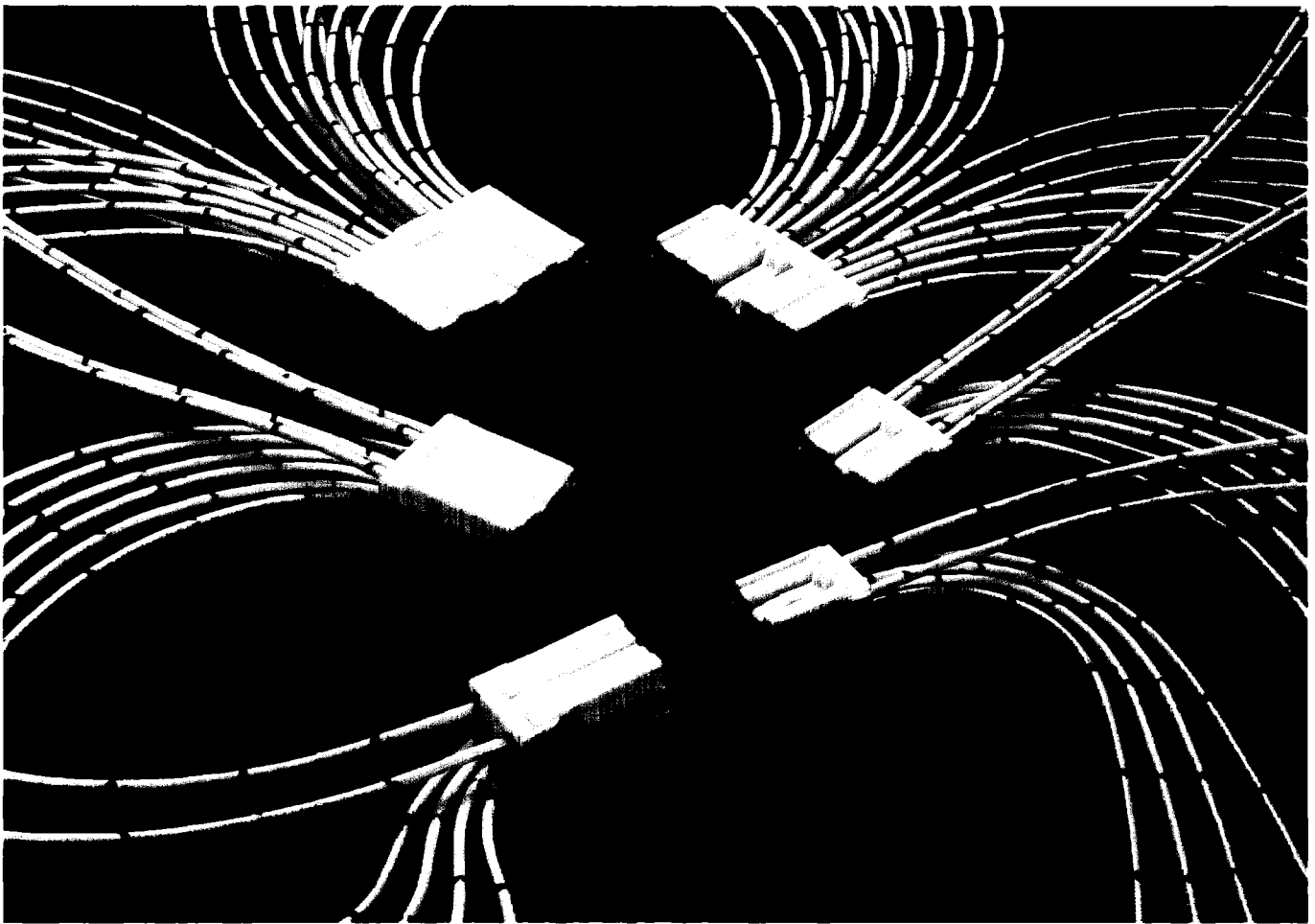


SDL CONNECTOR



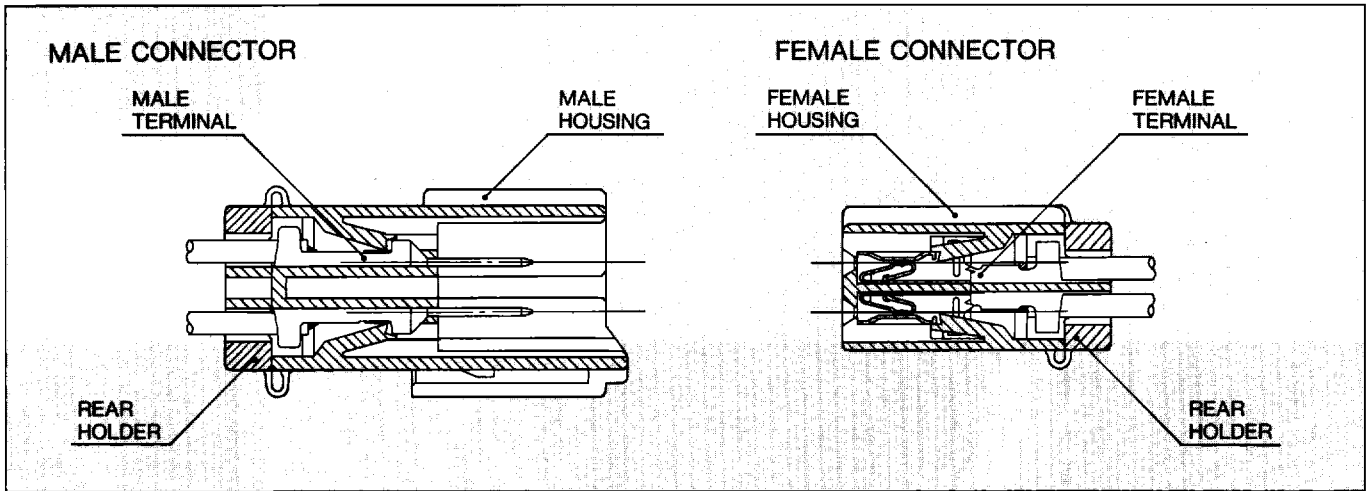
SDL CONNECTOR

THE BLADE WIDTH OF THE MALE TERMINAL FOR THIS CONNECTOR IS 0.070 INCHES.

(DISTINCTIV FEATURES)

1. IMPROVED HINGED REAR HOLDER DESIGN FOR SIMPLE ASSEMBLY.
2. TERMINAL DESIGN INCORPORATES A LARGE DISPLACEMENT SPRING, COMPOSED OF A HIGH-GRADE COOPER ALLOY MATERIAL.

CONSTRUCTION



SPECIFICATIONS

| | | |
|-------------------------------|-----------------|----------------------------|
| MATERIAL | HOUSING | PBT |
| | MALE TERMINAL | BRASS (TIN PLATING) |
| | FEMALE TERMINAL | COPPER ALLOY (TIN PLATING) |
| *CURRENT CAPACITY (REFERENCE) | | 9A |
| RESISTANCE AT LOW VOLTAGE | | 3mΩ MAX. (INITIAL VALUE) |
| INSULATION RESISTANCE | | DC500V 100MΩ MIN. |
| DIELECTRIC STRENGTH | | AC1000V (1 min.) |

*CURRENT CAPACITY WILL BE AFFECTED BY CONDITIONS SUCH AS POLE QUANTITY, WIRE SIZE, AMBIENT TEMPERATURE, ETC.

PART NUMBER CHART

| PART NAME | MALE TERMINAL | FEMALE TERMINAL |
|-----------|---------------|-----------------|
| TERMINAL | 7114-1470 | 7116-1473 |
| | 7114-1475 | 7116-1474 |

| PART NAME | POLES | MALE CONNECTOR | FEMALE CONNECTOR |
|-----------|-------|-------------------------|-------------------------|
| HOUSING | 2 | 7122-8326 | 7123-8326 |
| | 3 | 7122-8335 | 7123-8335 |
| | 4 | 7122-8345 | 7123-8345 |
| | 6 | 7122-8365 | 7123-8365 |
| | 8 | 7122-8386 | 7123-8386 |
| | 10 | 7122-8307 | 7123-8307 |
| | 14 | 7122-8346 | 7123-8346 |
| | 18 | 7122-8385 | 7123-8385 |
| | 20 | 7122-8306 | 7123-8306 |
| | 20 | 7122-8305(7157-8305-80) | 7123-8305(7157-8305-80) |
| | 22 | 7122-8325 | 7123-8325 |

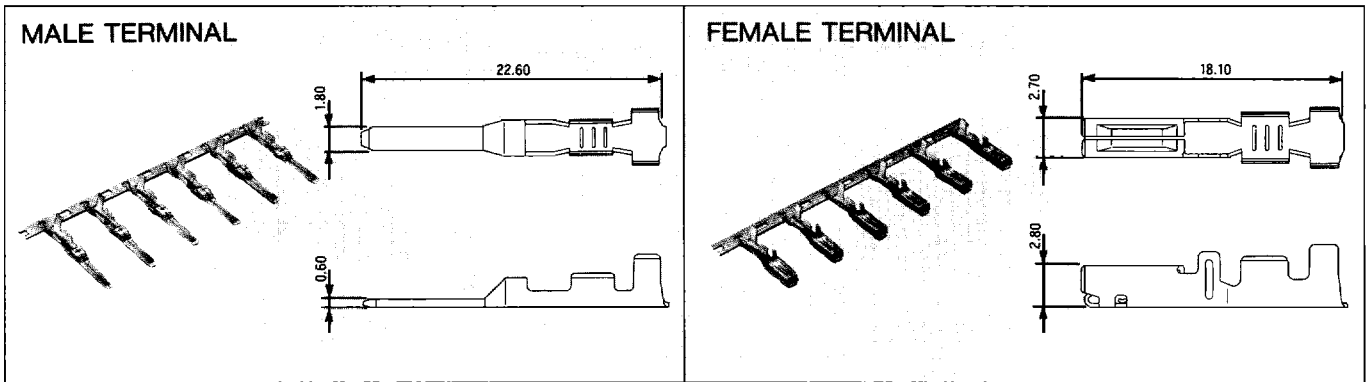
WHILE NATURAL COLOR IS THE STANDARD, OTHER COLORS ARE ALSO AVAILABLE AT YOUR REQUEST.
REAR HOLDER PART NUMBER IN PARENTHESIS.

| PART NAME | POLES | MALE CONNECTOR | FEMALE CONNECTOR |
|------------------------------------|-------|----------------|----------------------------|
| PCB CONNECTOR (VERTICAL TYPE) | 10 | 7322-8500-30 | 7123-8307-30 |
| | 14 | 7322-8745-30 | 7123-8346-30 |
| | 14 | 7382-4042 | 7123-8346 |
| | 18 | 7322-8387-30 | 7123-8385-30 |
| | 20 | 7322-8501-30 | 7123-8306-30 |
| | 20 | 7322-8502-30 | 7123-8305-30(7157-8305-80) |
| | 22 | 7382-4023-30 | 7123-8325-30 |
| PCB CONNECTOR (HORIZONTAL TYPE) | 8 | 7382-4082 | 7123-8386 |
| | 10 | 7322-8308-30 | 7123-8307-30 |
| | 14 | 7322-8347-30 | 7123-8346-30 |
| | 18 | 7322-8380-30 | 7123-8385-30 |
| | 22 | 7382-4027 | 7123-8325 |

OTHER HOUSING COLORS ARE AVAILABLE TO MEET YOUR REQUEST.
REAR HOLDER PART NUMBER IN PARENTHESIS.

TERMINAL

UNIT: mm



■ SPECIFICATIONS

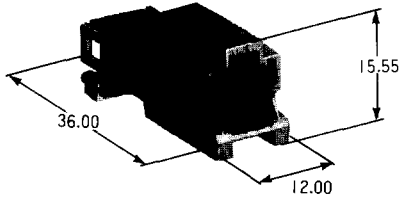
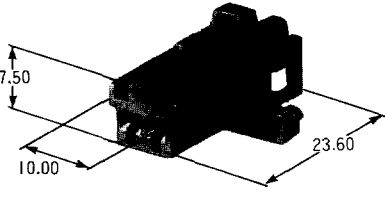
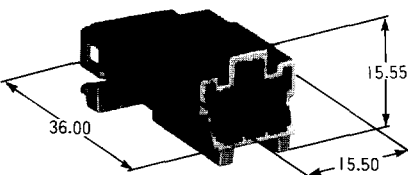
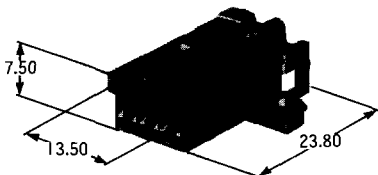
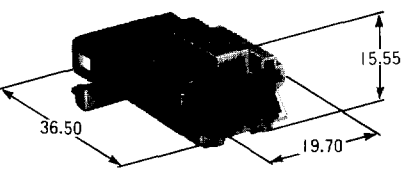
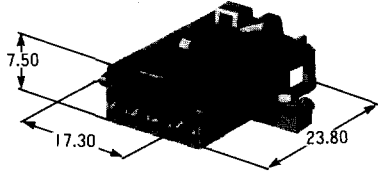
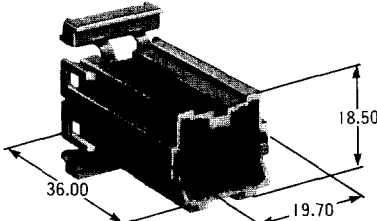
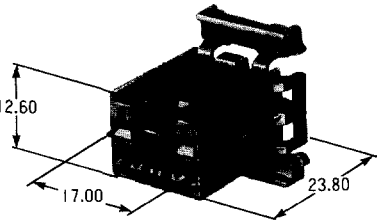
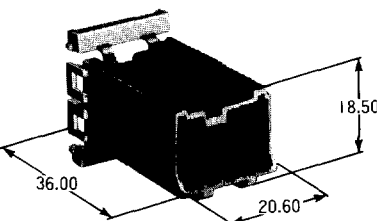
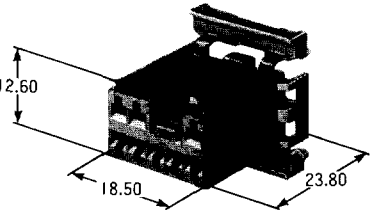
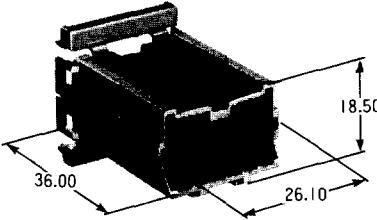
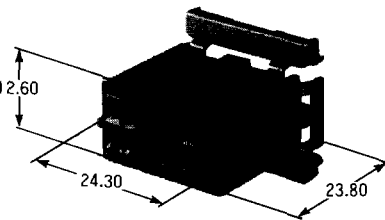
| PART NAME | PART NUMBER | MATERIAL | TREATMENT | MATERIAL THICKNESS |
|-----------------|-------------|--------------|-------------|--------------------|
| MALE TERMINAL | 7114-1470 | BRASS | TIN PLATING | t=0.3 |
| | 7114-1475 | | | |
| FEMALE TERMINAL | 7116-1473 | COPPER ALLOY | TIN PLATING | t=0.25 |
| | 7116-1474 | | | |

● APPLICABLE WIRE CHART

| PART NAME | WIRE SIZE (mm ²) | WIRE TYPE | PART NUMBER |
|-----------------|------------------------------|-----------|-------------|
| MALE TERMINAL | 0.3 | AVS | 7114-1470 |
| | | CAVS | 7114-1470 |
| | 0.5 | AVS | 7114-1470 |
| | | CAVS | 7114-1470 |
| | 0.85 | AVS | 7114-1470 |
| | | CAVS | 7114-1470 |
| 1.25 | AVS | 7114-1475 | |
| | CAVS | 7114-1475 | |
| | AVSS | 7114-1475 | |
| FEMALE TERMINAL | 0.3 | AVS | 7116-1473 |
| | | CAVS | 7116-1473 |
| | 0.5 | AVS | 7116-1473 |
| | | CAVS | 7116-1473 |
| | 0.85 | AVS | 7116-1473 |
| | | CAVS | 7116-1473 |
| | 1.25 | AVS | 7116-1474 |
| | | CAVS | 7116-1474 |
| | | AVSS | 7116-1474 |

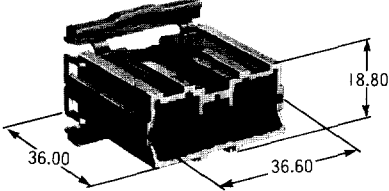
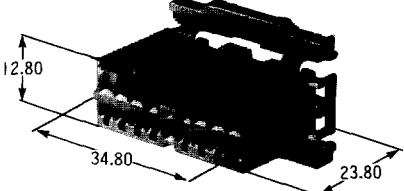
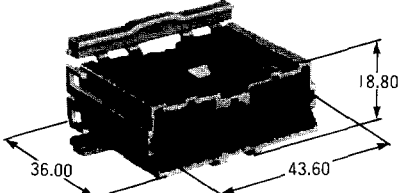
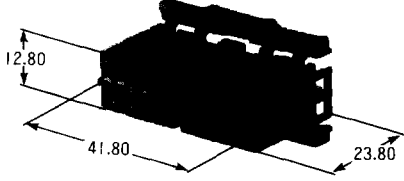
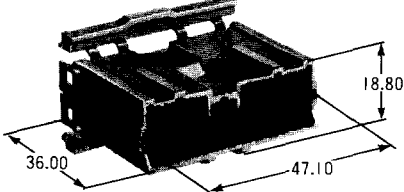
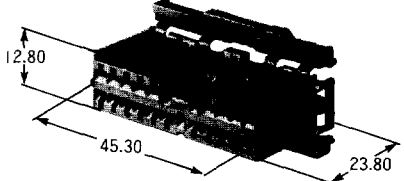
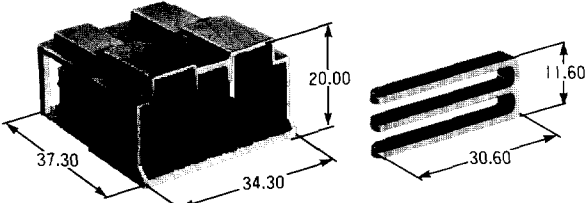
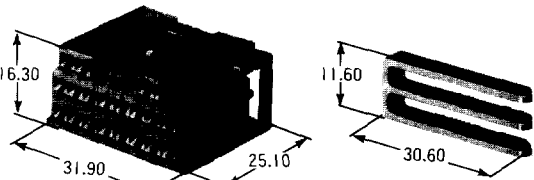
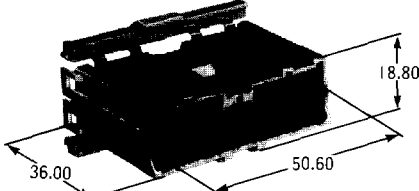
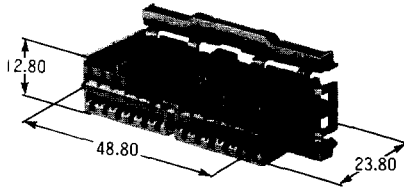
HOUSING MATERIAL: PBT

UNIT: mm

| POLES | MALE HOUSING | FEMALE HOUSING |
|-------|--|---|
| 2 |  <p>7122-8326</p> |  <p>7123-8326</p> |
| 3 |  <p>7122-8335</p> |  <p>7123-8335</p> |
| 4 |  <p>7122-8345</p> |  <p>7123-8345</p> |
| 6 |  <p>7122-8365</p> |  <p>7123-8365</p> |
| 8 |  <p>7122-8386</p> |  <p>7123-8386</p> |
| 10 |  <p>7122-8307</p> |  <p>7123-8307</p> |

HOUSING MATERIAL: PBT

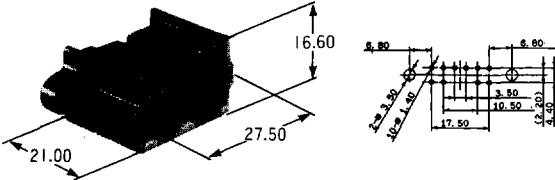
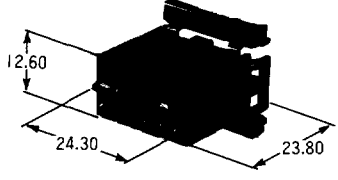
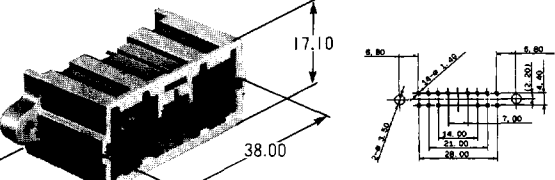
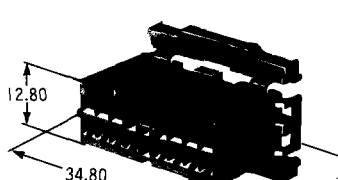
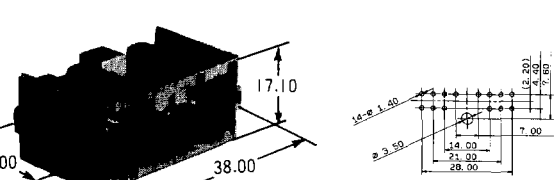
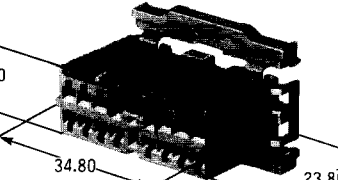
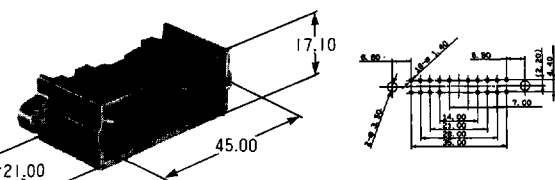
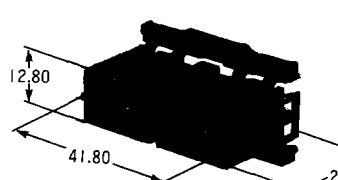
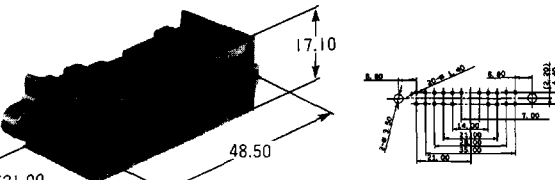
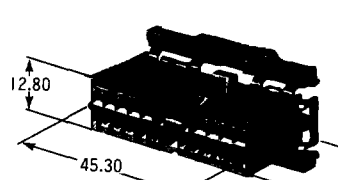
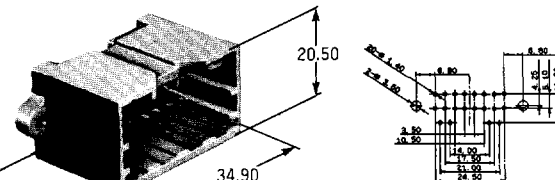
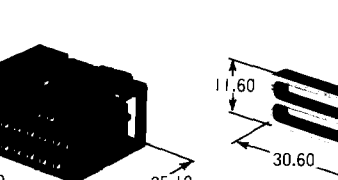
UNIT: mm

| POLES | MALE HOUSING | FEMALE HOUSING |
|-------|--|---|
| 14 |  <p>7122-8346</p> |  <p>7123-8346</p> |
| 18 |  <p>7122-8385</p> |  <p>7123-8385</p> |
| 20 |  <p>7122-8306</p> |  <p>7123-8306</p> |
| 20 |  <p>7122-8305(7157-8305-80)</p> |  <p>7123-8305(7157-8305-80)</p> |
| 22 |  <p>7122-8325</p> |  <p>7123-8325</p> |

REAR HOLDER PART NUMBER IN PARENTHESIS.

PCB CONNECTOR (VERTICAL TYPE) MATERIAL: PBT

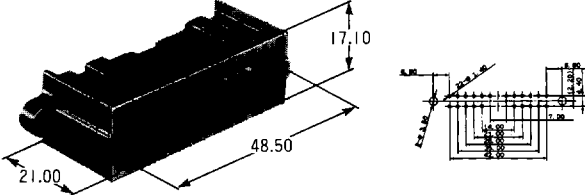
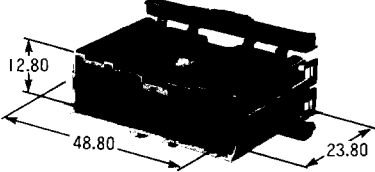
UNIT: mm

| POLES | MALE HOUSING | FEMALE HOUSING |
|-------|---|--|
| 10 |  <p>7322-8500-30</p> |  <p>7123-8307-30</p> |
| 14 |  <p>7322-8745-30</p> |  <p>7123-8346-30</p> |
| 14 |  <p>7382-4042</p> |  <p>7123-8346</p> |
| 18 |  <p>7322-8387-30</p> |  <p>7123-8385-30</p> |
| 20 |  <p>7322-8501-30</p> |  <p>7123-8306-30</p> |
| 20 |  <p>7322-8502-30</p> |  <p>7123-8305-30(7157-8305-80)</p> |

REAR HOLDER PART NUMBER IN PARENTHESIS.

PCB CONNECTOR (VERTICAL TYPE) MATERIAL:PBT

UNIT:mm

| POLES | MALE HOUSING | FEMALE HOUSING |
|-------|---|---|
| 22 |  <p data-bbox="463 613 656 645">7382-4023-30</p> |  <p data-bbox="1090 613 1282 645">7123-8325-30</p> |

FEMALE HOUSING SHALL BE MATE HOUSING OF SDL-II CONNECTOR (P-167).

PCB CONNECTOR (HORIZONTAL TYPE) MATERIAL:PBT

UNIT:mm

| POLES | MALE HOUSING | FEMALE HOUSING |
|-------|---------------------|---------------------|
| 8 | <p>7382-4082</p> | <p>7123-8386</p> |
| 10 | <p>7322-8308-30</p> | <p>7123-8307-30</p> |
| 14 | <p>7322-8347-30</p> | <p>7123-8346-30</p> |
| 18 | <p>7322-8380-30</p> | <p>7123-8385-30</p> |
| 22 | <p>7382-4027</p> | <p>7123-8325</p> |

FEMALE HOUSING SHALL BE MATE HOUSING OF SDL-II CONNECTOR (P-167).