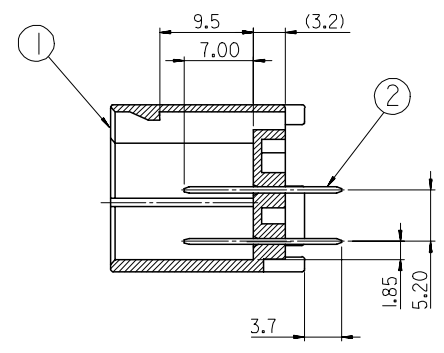
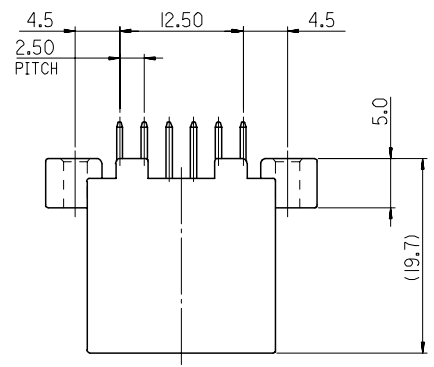
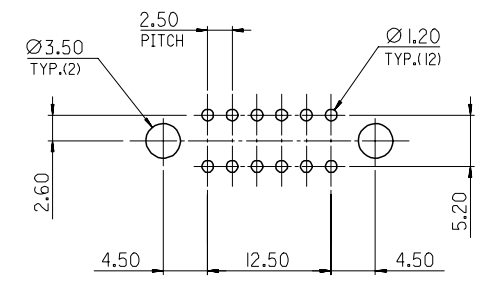


DO NOT SCALE DRAWING DIMENSION IN METRIC
 PROJECT NO.
 SIMILAR ITEM
 DWG. NO. SD-68145-212

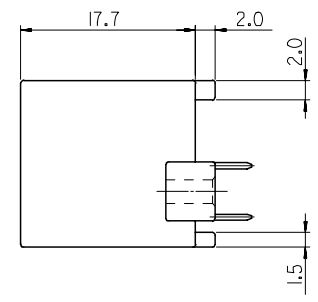
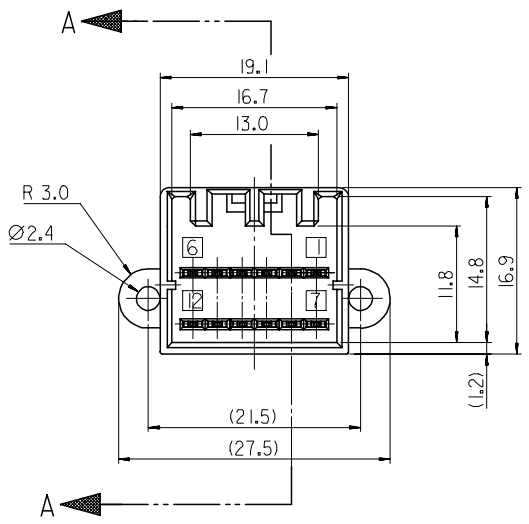
NO.	PART NO.	COLOR
1	68145-1211	BLACK
2	68145-1215	GRAY
3	68145-1216	WHITE



SECTION A-A



RECOMMENDED P.C.B HOLE DIM.(MOUNT SIDE)



NOTES

1. APPLICABLE FEMALE HOUSING : 64002-121*

NO.	DESCRIPTION	MATERIAL	REMARK
①	HOUSING	PBT, G/F 15%	UL94HB
②	PIN	BRASS	PRE-TIN PLATED

ADDED OF PART EC NO. KOR2006-0147 DRWN: EOKIM 06/06/01 CHK: BC.YOON 06/06/01 APPR: SH.CHOI 06/06/01	QUALITY SYMBOLS MAJOR CRITICAL	GENERAL TOLERANCES: (UNLESS SPECIFIED)		SCALE 2:1	DESIGN UNITS <input checked="" type="checkbox"/> mm <input type="checkbox"/> INCH	THIRD ANGLE PROJECTION	DIMENSIONS: <input type="checkbox"/> mm <input type="checkbox"/> INCH <input checked="" type="checkbox"/> mm ONLY	SHT REV	
		4 PLACES ±0.	3 PLACES ±0.	2 PLACES ±0.25	1 PLACE ±0.30	DRAWN BY & DATE BC.YOON 02/07/22		TITLE: .040 WIRE TO BOARD CONNECTOR 12P HEADER ASS'Y (VTL)	
		ANGULAR: ± 1 °		DRAFT WHERE APPLICABLE MUST REMAIN WITHIN DIMENSIONS		CHECKED BY & DATE YSIK.KIM 02/07/22		APPROVED BY & DATE CW.LEE 02/07/22	
		CAD FILENAME S6814512C.mi		MATERIAL NO. SEE TABLE		DRAWING NO. SD-68145-212		SHEET NO. 1 OF 1	

THIS DRAWING CONTAINS INFORMATION THAT IS PROPRIETARY TO MOLEX INCORPORATED AND SHOULD NOT BE USED WITHOUT WRITTEN PERMISSION.

SIZE
B