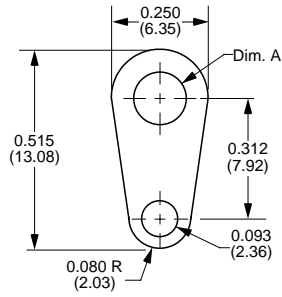
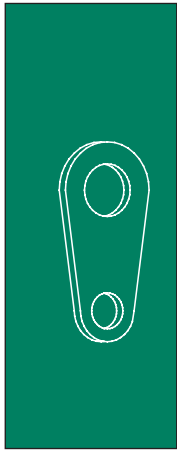
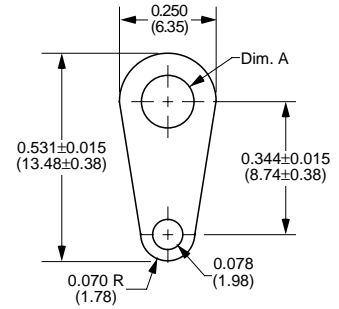
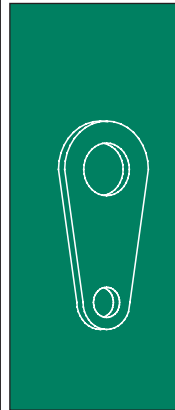


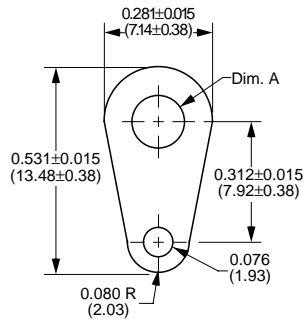
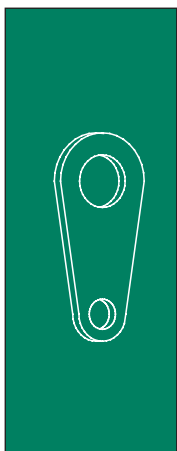
# Solder Terminals



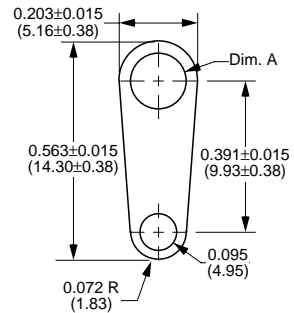
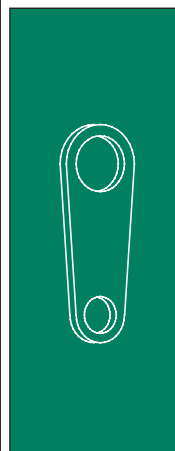
Part Number	Material Type	Finish Code	Inventory Type	Dim. 'A'
952-136	0.016" (0.41mm) Copper	0	Stock	0.136" (3.45mm)
MS 35431-14	0.016" (0.41mm) Copper	MS	Special	0.090/0.094" (2.29MM/2.39MM)



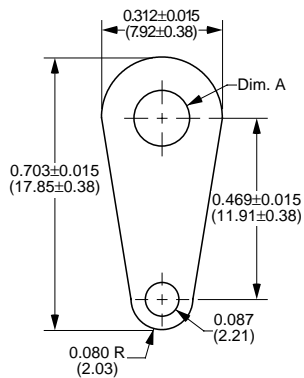
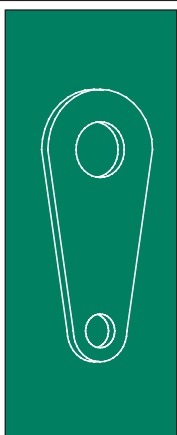
Part Number	Material Type	Finish Code	Inventory Type	Dim. 'A'
11A-093	0.016" (0.41mm) Copper	0	Special	0.093" (2.36mm)
11A-120	0.016" (0.41mm) Copper	0	Stock	0.120" (3.05mm)
11A-144	0.016" (0.41mm) Copper	0	Stock	0.144" (3.66mm)
11A-156	0.016" (0.41mm) Copper	0	Special	0.156" (3.96mm)
11A-169	0.016" (0.41mm) Copper	0	Special	0.169" (4.29mm)



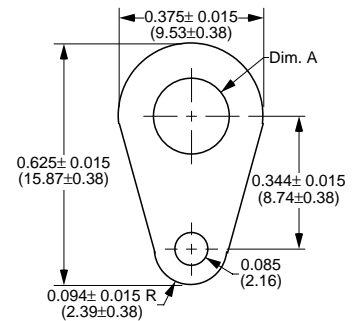
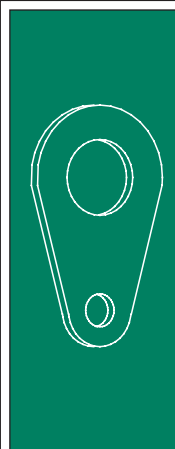
Part Number	Material Type	Finish Code	Inventory Type	Dim. 'A'
11-120	0.016" (0.41mm) Copper	0	Special	0.120" (3.05mm)
11-156	0.016" (0.41mm) Copper	0	Special	0.156" (3.96mm)
11-169	0.016" (0.41mm) Copper	0	Stock	0.169" (4.29mm)



Part Number	Material Type	Finish Code	Inventory Type	Dim. 'A'
11B-144	0.016" (0.41mm) Copper	0	Special	0.144" (3.66mm)

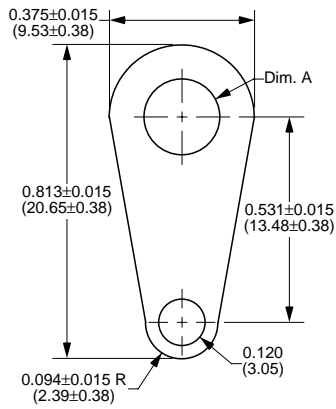
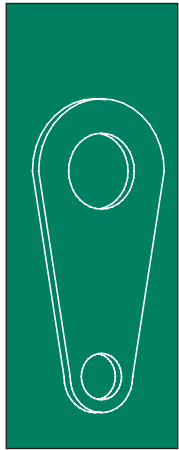


Part Number	Material Type	Finish Code	Inventory Type	Dim. 'A'
7-120	0.016" (0.41mm) Copper	0	Special	0.120" (3.05mm)
7-144	0.016" (0.41mm) Copper	0	Stock	0.144" (3.66mm)
7-169	0.016" (0.41mm) Copper	0	Special	0.156" (3.96mm)
7-196	0.016" (0.41mm) Copper	0	Stock	0.196" (4.98mm)

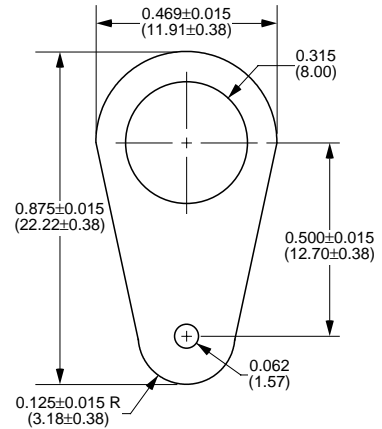
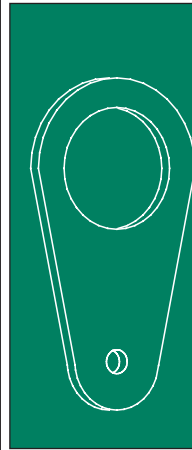


Part Number	Material Type	Finish Code	Inventory Type	Dim. 'A'
7A-196	0.016" (0.41mm) Copper	0	Stock	0.196" (4.98mm)
7A-225	0.016" (0.41mm) Copper	0	Stock	0.225" (5.72mm)
7A-250	0.016" (0.41mm) Copper	0	Stock	0.250" (6.35mm)

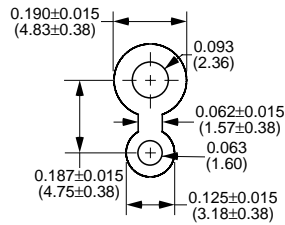
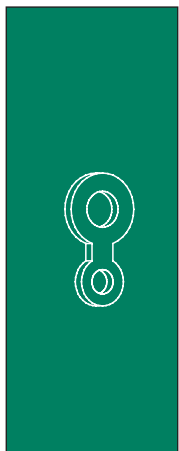
# Solder Terminals



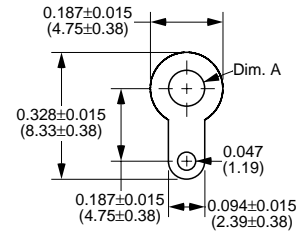
Part Number	Material Type	Finish Code	Inventory Type	Dim. 'A'
29A-187	0.016" (0.41mm) Copper	0	Stock	0.187" (4.75mm)
29A-196	0.016" (0.41mm) Copper	0	Stock	0.196" (4.98mm)
29A-250	0.016" (0.41mm) Copper	0	Stock	0.250" (6.35mm)



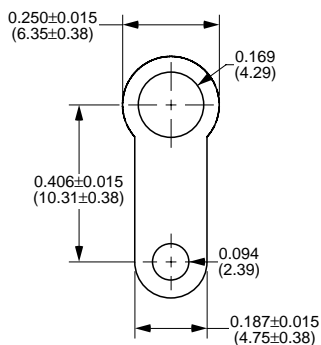
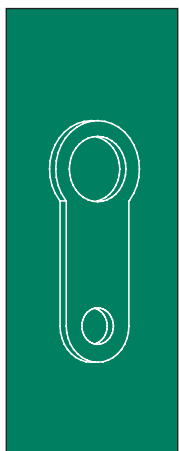
Part Number	Material Type	Finish Code	Inventory Type
80-315	0.020" (0.51mm) Copper	0	Stock
MS 35431-10	0.020" (0.51mm) Copper	MS	Special



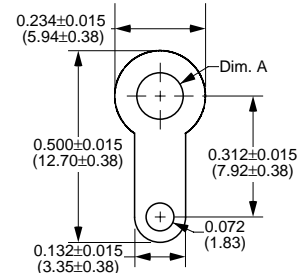
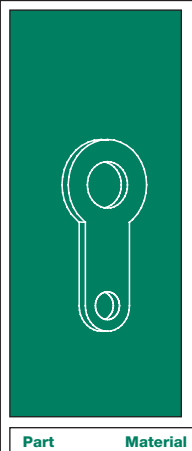
Part Number	Material Type	Finish Code	Inventory Type
542-093	0.016" (0.41mm) Copper	0	Stock



Part Number	Material Type	Finish Code	Inventory Type	Dim. 'A'
341-093	0.016" (0.41mm) Copper	0	Stock	0.093" (2.36mm)
341-120	0.016" (0.41mm) Copper	0	Stock	0.120" (3.05mm)
341-125	0.016" (0.41mm) Copper	0	Stock	0.125" (3.18mm)

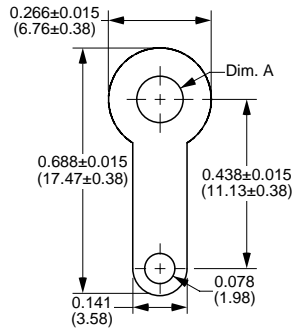
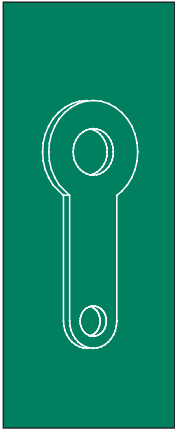


Part Number	Material Type	Finish Code	Inventory Type
390-169	0.016" (0.41mm) Copper	0	Stock

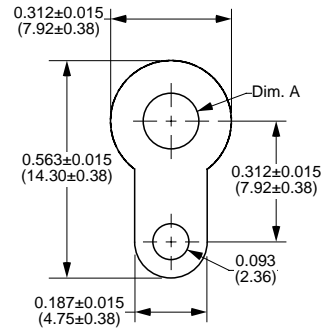


Part Number	Material Type	Finish Code	Inventory Type	Dim. 'A'
75-093	0.016" (0.41mm) Copper	0	Stock	0.093" (2.36mm)
75-100	0.016" (0.41mm) Copper	0	Stock	0.100" (2.54mm)
75-120	0.016" (0.41mm) Copper	0	Stock	0.120" (3.05mm)
75-130	0.016" (0.41mm) Copper	0	Stock	0.130" (3.30mm)
75-144	0.016" (0.41mm) Copper	0	Stock	0.144" (3.66mm)

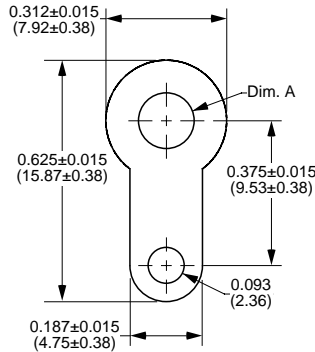
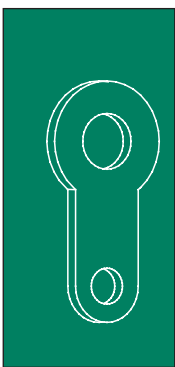
# Solder Terminals



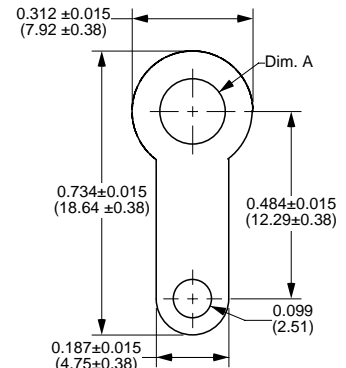
Part Number	Material Type	Finish Code	Inventory Type	Dim. 'A'
9-120	0.020" (0.51mm) Brass	0	Stock	0.120" (3.05mm)
9-144	0.020" (0.51mm) Brass	0	Stock	0.144" (3.66mm)
9-169	0.020" (0.51mm) Brass	0	Stock	0.169" (4.29mm)
9-196	0.020" (0.51mm) Brass	0	Stock	0.196" (4.98mm)



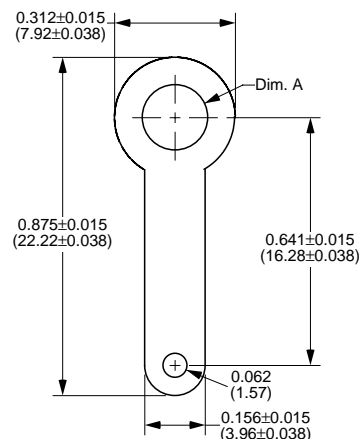
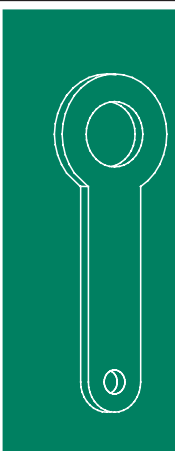
Part Number	Material Type	Finish Code	Inventory Type	Dim. 'A'
328-125	0.020" (0.51mm) Brass	0	Special	0.125" (3.18mm)
328-144	0.020" (0.51mm) Brass	0	Stock	0.144" (3.66mm)
328-156	0.020" (0.51mm) Brass	0	Special	0.156" (3.96mm)



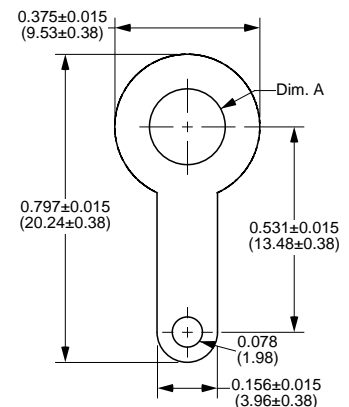
Part Number	Material Type	Finish Code	Inventory Type	Dim. 'A'
619-120	0.018" (0.46mm) Copper	0	Stock	0.120" (3.05mm)
619-144	0.018" (0.46mm) Copper	0	Special	0.144" (3.66mm)
619-169	0.018" (0.46mm) Copper	0	Special	0.169" (4.29mm)
619-196	0.018" (0.46mm) Copper	0	Special	0.196" (4.98mm)
MS 35431-1	0.018" (0.46mm) Copper	MS	Stock	0.115"/0.127" (2.92mm/3.23mm)
MS 35431-3	0.018" (0.46mm) Copper	MS	Stock	0.141"/0.153" (3.58mm/3.89mm)
MS 35431-5	0.018" (0.46mm) Copper	MS	Stock	0.167"/0.179" (4.24mm/4.55mm)
MS 35431-7	0.018" (0.46mm) Copper	MS	Stock	0.193"/0.205" (4.90mm/5.21mm)



Part Number	Material Type	Finish Code	Inventory Type	Dim. 'A'
2A-169	0.016" (0.41mm) Copper	0	Stock	0.169" (4.29mm)
2A-196	0.016" (0.41mm) Copper	0	Stock	0.196" (4.98mm)

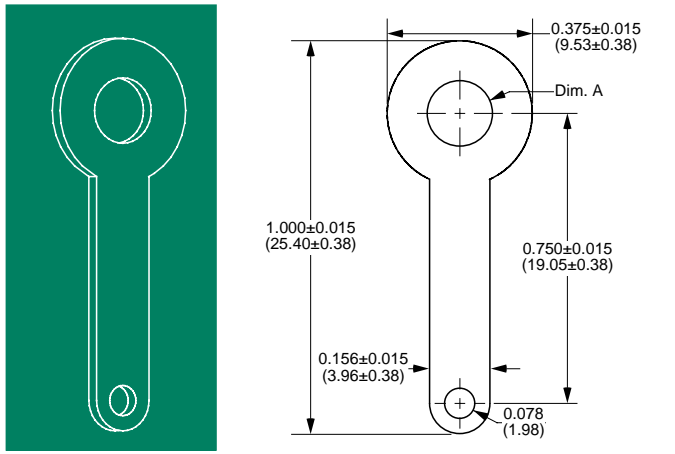


Part Number	Material Type	Finish Code	Inventory Type	Dim. 'A'
141-144	0.020" (0.51mm) Brass	0	Stock	0.144" (3.66mm)
141-169	0.020" (0.51mm) Brass	0	Stock	0.169" (4.29mm)
141-196	0.020" (0.51mm) Brass	0	Stock	0.196" (4.98mm)

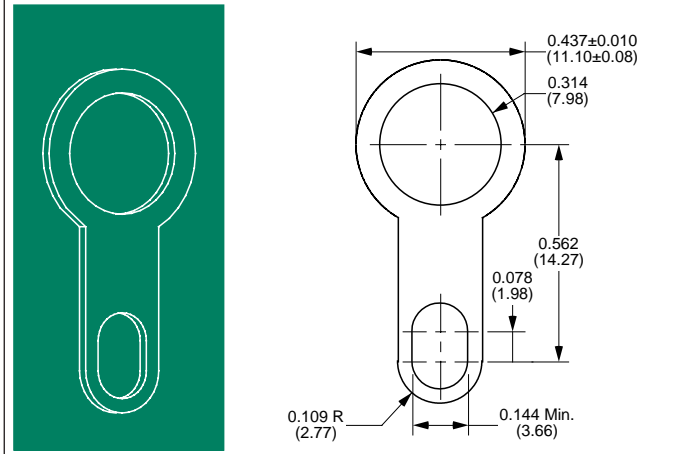


Part Number	Material Type	Finish Code	Inventory Type	Dim. 'A'
29-196	0.020 (0.51mm) Brass	0	Stock	0.196" (4.98mm)
29-250	0.020 (0.51mm) Brass	0	Stock	0.250" (6.35mm)
MS 35431-9	0.020 (0.51mm) Brass	MS	Stock	0.260" (6.60mm)

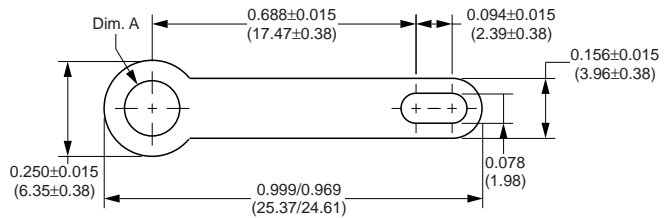
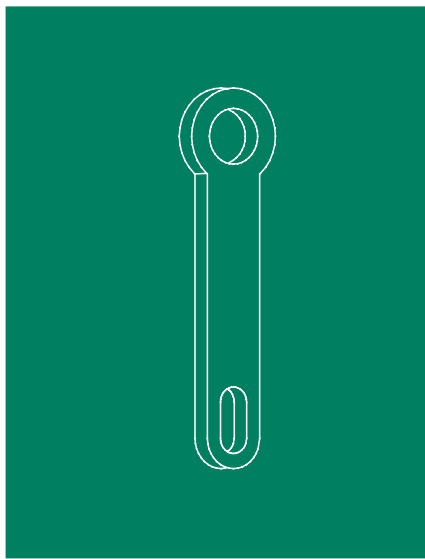
# Solder Terminals



Part Number	Material Type	Finish Code	Inventory Type	Dim. 'A'
355-136	0.020" (0.51mm) Brass	0	Special	0.136" (3.45mm)
355-169	0.020" (0.51mm) Brass	0	Special	0.169" (4.29mm)
355-250	0.020" (0.51mm) Brass	0	Stock	0.250" (6.35mm)

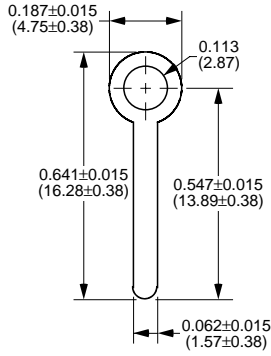


Part Number	Material Type	Finish Code	Inventory Type
781-314	0.016" (0.41mm) Brass	0	Stock

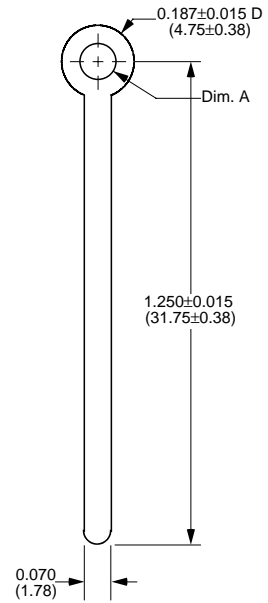


Part Number	Material Type	Finish Code	Inventory Type	Dim. 'A'
329-125	0.032" (0.81mm) Brass	0	Stock	0.125" (3.18mm)
329-144	0.032" (0.81mm) Brass	0	Special	0.144" (3.66mm)

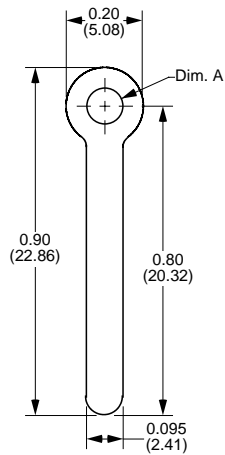
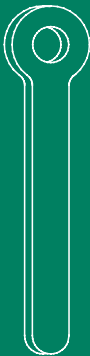
# Solder Terminals



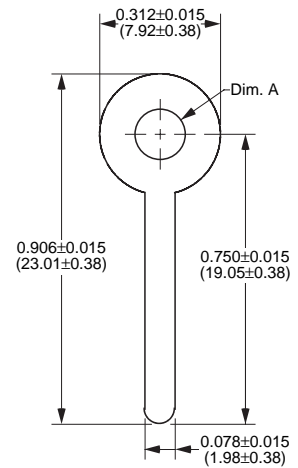
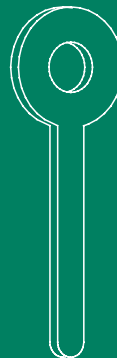
Part Number	Material Type	Finish Code	Inventory Type	Dim. 'A'
414-113	0.020" (0.51mm) Copper	0	Stock	0.113" (2.87mm)



Part Number	Material Type	Finish Code	Inventory Type	Dim. 'A'
263-093	0.020" (0.51mm) Copper	11	Stock	0.093" (2.36mm)

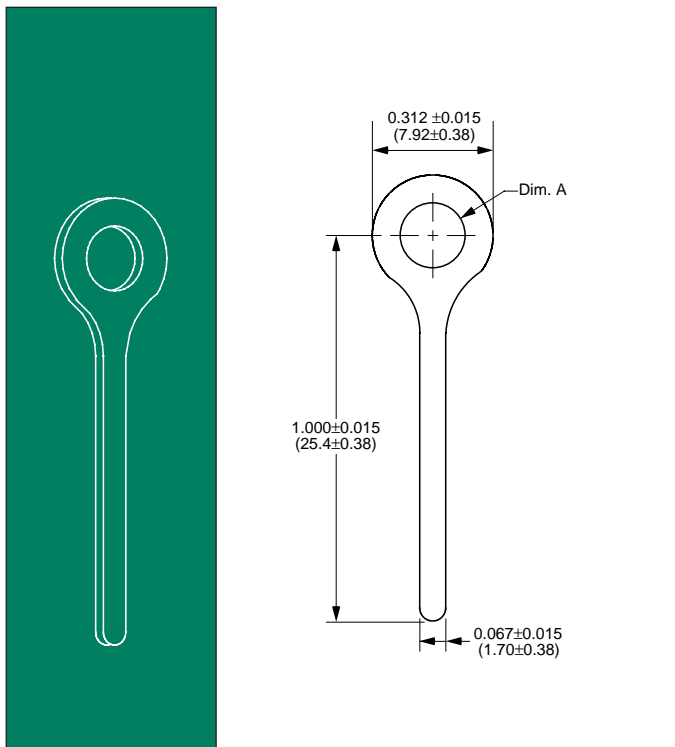


Part Number	Material Type	Finish Code	Inventory Type	Dim. 'A'
598-093	0.020" (0.51mm) Copper	0	Special	0.093" (2.36mm)

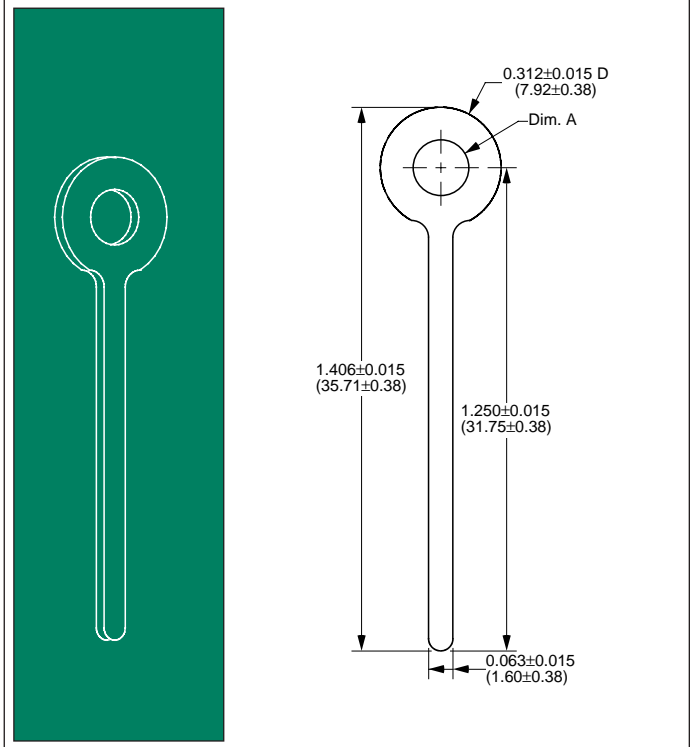


Part Number	Material Type	Finish Code	Inventory Type	Dim. 'A'
680-130	0.020" (0.51mm) Brass	0	Stock	0.130" (3.30mm)

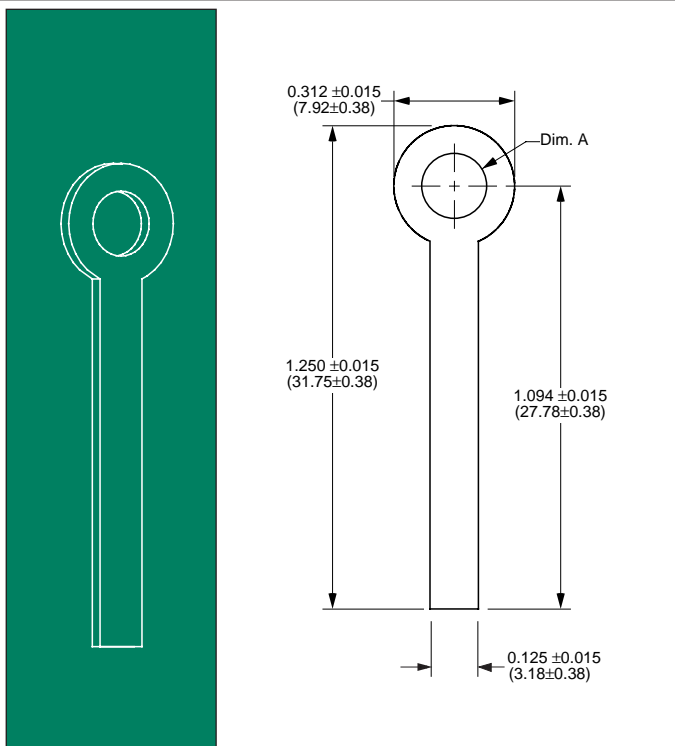
# Solder Terminals



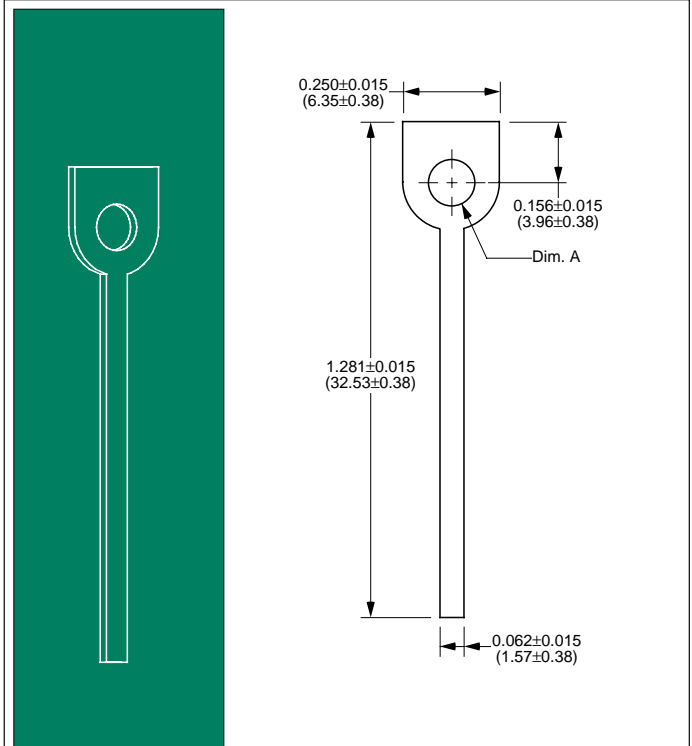
Part Number	Material Type	Finish Code	Inventory Type	Dim. 'A'
342-130	0.020" (0.51mm) Brass	0	Stock	0.130" (3.30mm)
342-168	0.020" (0.51mm) Brass	0	Stock	0.168" (4.27mm)



Part Number	Material Type	Finish Code	Inventory Type	Dim. 'A'
694-144	0.020" (0.51mm) Brass	0	Stock	0.144" (3.66mm)
694-169	0.020" (0.51mm) Brass	0	Special	0.169" (4.29mm)

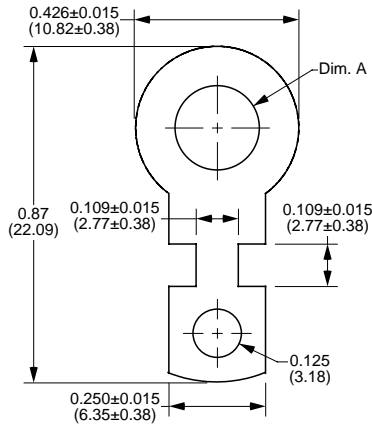
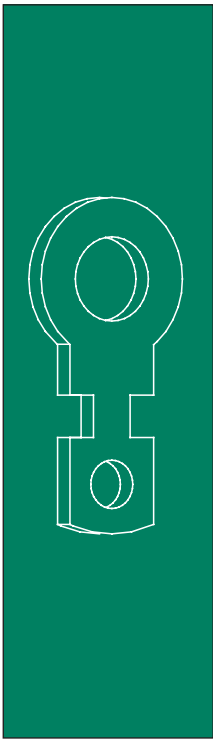


Part Number	Material Type	Finish Code	Inventory Type	Dim. 'A'
20-144	0.020" (0.51mm) Brass	0	Stock	0.144" (3.66mm)
20-169	0.020" (0.51mm) Brass	0	Stock	0.169" (4.29mm)
20-196	0.020" (0.51mm) Brass	0	Stock	0.196" (4.98mm)

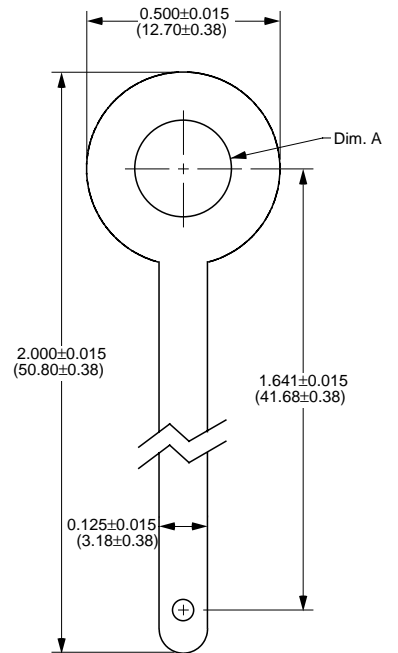
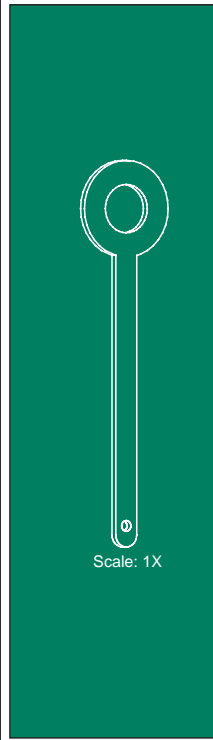


Part Number	Material Type	Finish Code	Inventory Type	Dim. 'A'
344-120	0.016" (0.41mm) Copper	0	Special	0.120" (3.05mm)

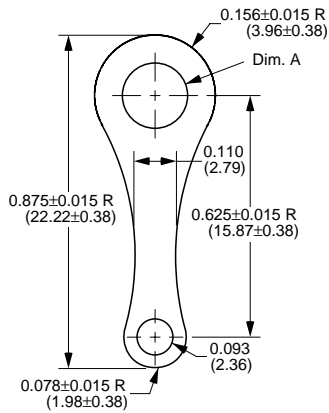
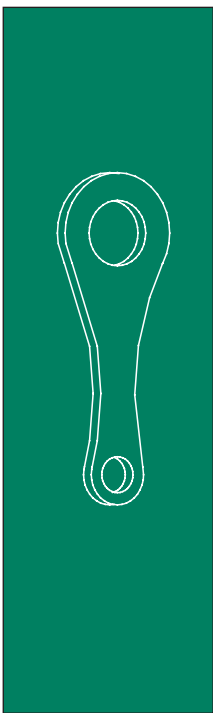
# Solder Terminals



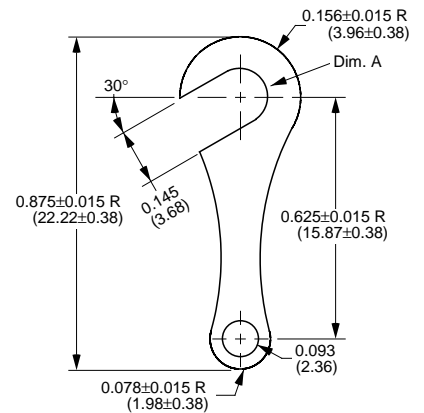
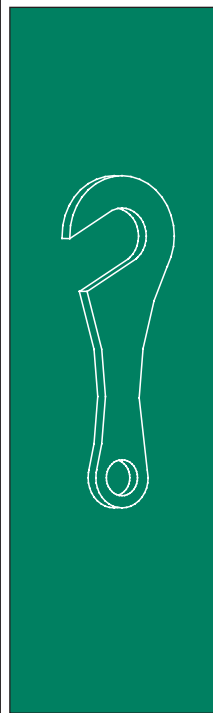
Part Number	Material Type	Finish Code	Inventory Type	Dim. 'A'
389-156	0.032" (0.81mm) Brass	0	Special	0.156" (3.96mm)
389-218	0.032" (0.81mm) Brass	0	Stock	0.218" (5.54mm)



Part Number	Material Type	Finish Code	Inventory Type	Dim. 'A'
334-250	0.020" (0.51mm) Copper	0	Stock	0.250" (6.35mm)
334-375	0.020" (0.51mm) Copper	0	Stock	0.375" (9.53mm)

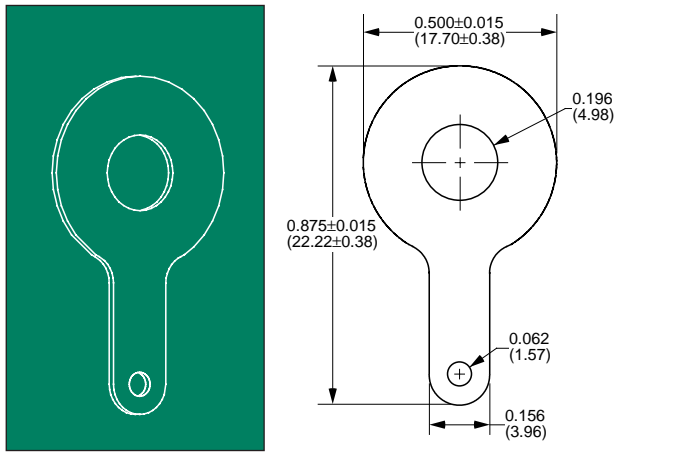


Part Number	Material Type	Finish Code	Inventory Type	Dim. 'A'
46-120	0.020" (0.51mm) Brass	0	Stock	0.120" (3.05mm)
46-144	0.020" (0.51mm) Brass	0	Stock	0.144" (3.66mm)
46-169	0.020" (0.51mm) Brass	0	Stock	0.169" (4.29mm)
46-196	0.020" (0.51mm) Brass	0	Stock	0.196" (4.98mm)

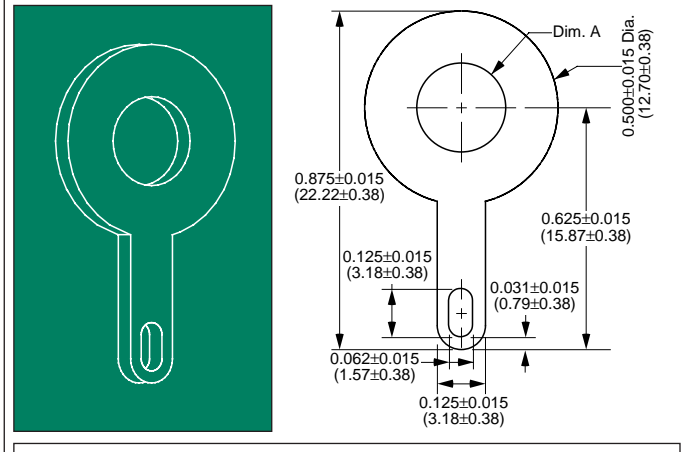


Part Number	Material Type	Finish Code	Inventory Type
405-144	0.020" (0.51mm) Brass	0	Stock

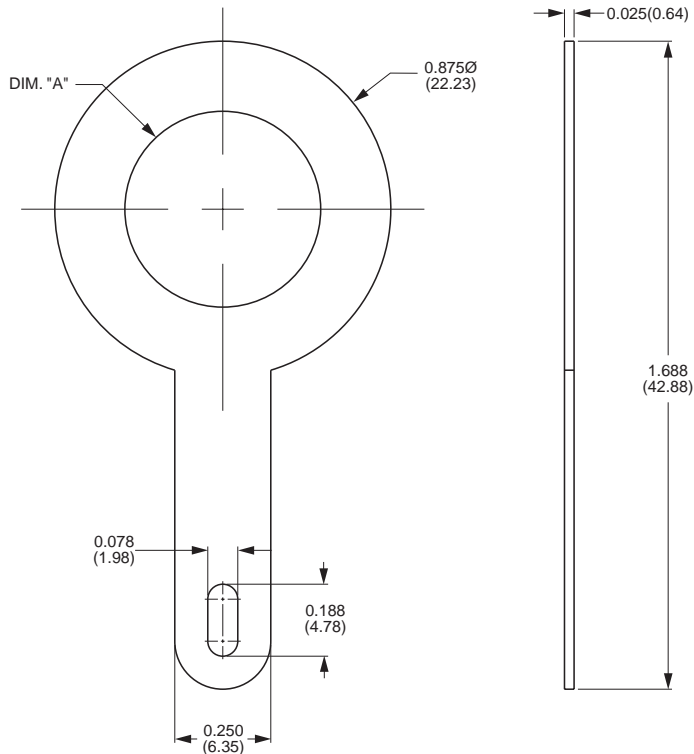
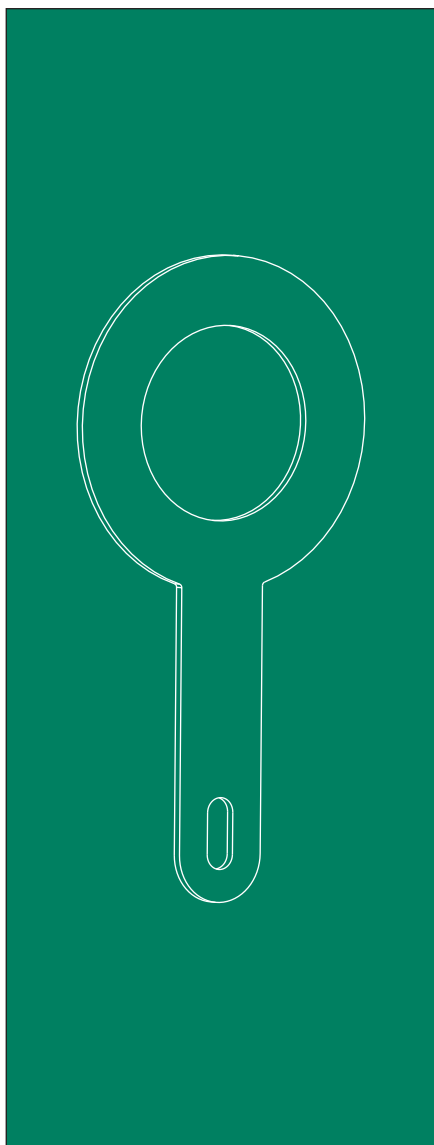
# Solder Terminals



Part Number	Material Type	Finish Code	Inventory Type
520-196	0.011" (0.28mm) Brass	0	Stock



Part Number	Material Type	Finish Code	Inventory Type	Dim. 'A'
558-230	0.032" (0.81mm) Steel	13	Special	0.230" (5.84mm)
558-257	0.032" (0.81mm) Steel	13	Stock	0.257" (6.53mm)
558-340	0.032" (0.81mm) Steel	13	Special	0.340" (8.64mm)
558-380	0.032" (0.81mm) Steel	13	Stock	0.380" (9.65mm)

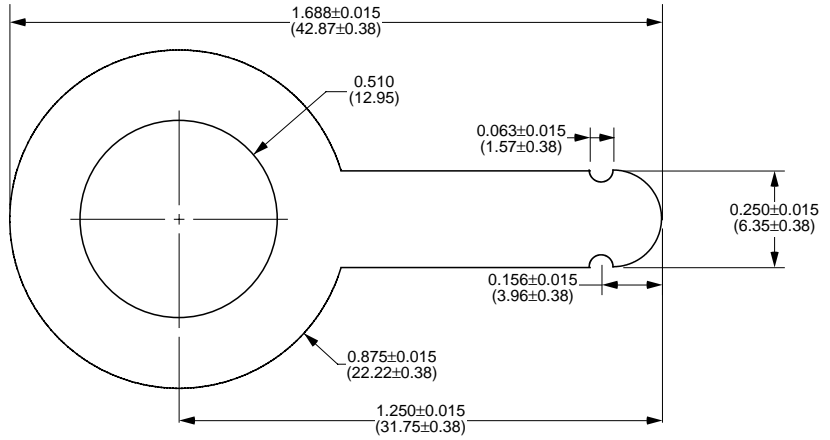
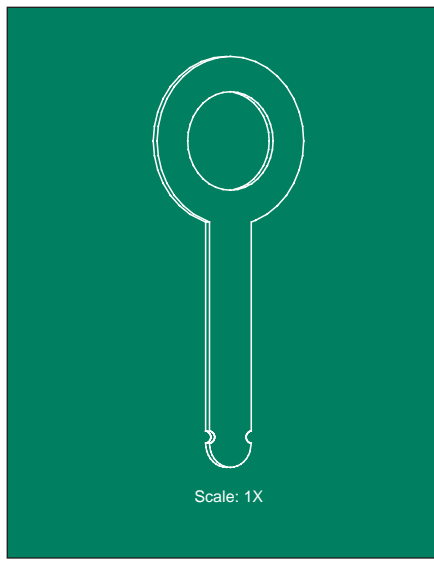


Part Number	Material Type	Finish Code	Inventory Type	Dim 'A'
379-510	Copper	0	Stock	.510"

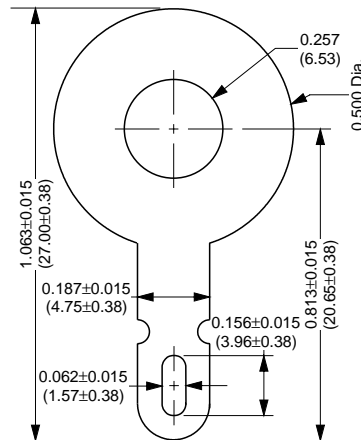
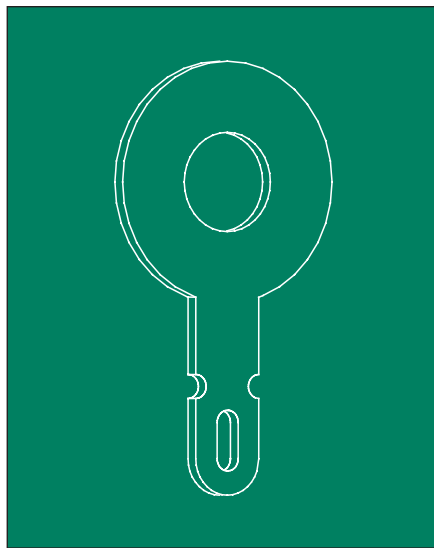
\*Contact factory for more part options



# Solder Terminals



Part Number	Material Type	Finish Code	Inventory Type
891-510	0.020" (0.51mm) Brass	0	Stock



Part Number	Material Type	Finish Code	Inventory Type
571-257	0.025" (0.64mm) Steel	13	Stock