

710026-5 ✓ ACTIVE

SIMEL | SIMEL XCT

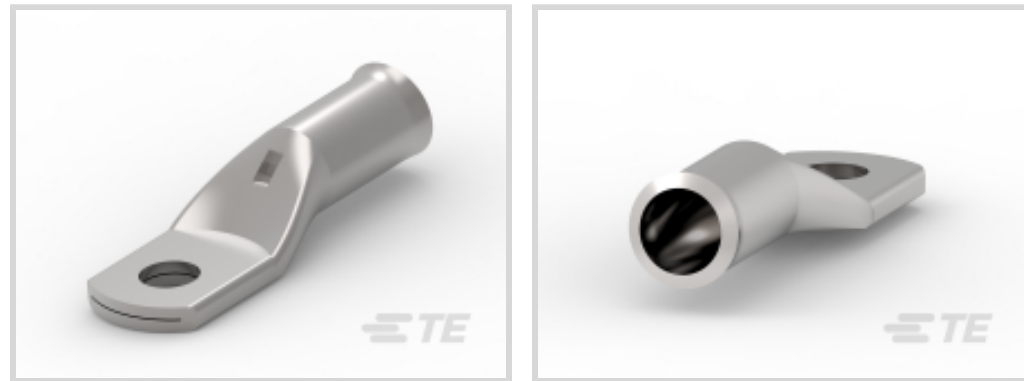
TE Internal #: 710026-5

Compression Connectors, EMEA, Crimp,  $\leq 1$  kV, Copper, Hexagonal or Indent Crimping, Copper, Indoor Use, Outdoor Use, Palm Hole Diameter 8.3, SIMEL XCT

[View on TE.com >](#)



Energy & Power > Power Systems Connectors > Compression Connectors



Compression Connector Product Availability: **EMEA**

Compression Connector Technology: **Crimp**

Compression Connector Voltage Class:  **$\leq 1$  kV**

Compression Connector Conductor Material: **Copper**

Conductor Cross-Section: **25 mm<sup>2</sup>**

## Features

### Product Type Features

Type	Terminal Lug
Compression Connector Technology	Crimp
Compression Connector Material	Copper

### Configuration Features

Number of Holes	1
-----------------	---

### Electrical Characteristics

Compression Connector Voltage Class	$\leq 1$ kV
-------------------------------------	-------------

### Body Features

Barrel Type	Standard
Compact Format	No
Compression Connector Conductor Material	Copper
Copper Palm	Yes

### Contact Features

Crimp Type	Hexagonal or Indent Crimping
------------	------------------------------

### Dimensions

Conductor Cross-Section	25 mm <sup>2</sup>
Palm Hole Diameter	8.3



### Operation/Application

Indoor Use	Yes
Outdoor Use	Yes

### Industry Standards

Standards	Designed to Meet NFC 20-130 Requirements
-----------	--

### Product Availability

Compression Connector Product Availability	EMEA
--	------

### Product Compliance

[For compliance documentation, visit the product page on TE.com>](#)

EU RoHS Directive 2011/65/EU	Compliant
EU ELV Directive 2000/53/EC	Compliant
China RoHS 2 Directive MIIT Order No 32, 2016	No Restricted Materials Above Threshold
EU REACH Regulation (EC) No. 1907/2006	Current ECHA Candidate List: JUNE 2022 (224) Candidate List Declared Against: JAN 2022 (223) SVHC > Threshold: Not Yet Reviewed
Halogen Content	Low Halogen - Br, Cl, F, I < 900 ppm per homogenous material. Also BFR/CFR/PVC Free
Solder Process Capability	Not applicable for solder process capability

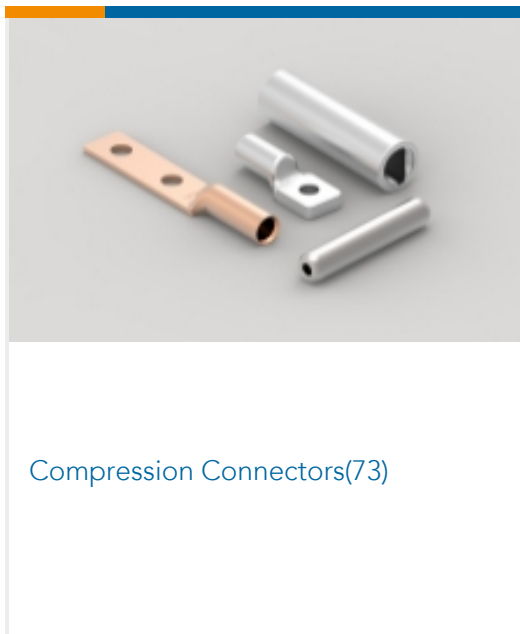
#### Product Compliance Disclaimer

This information is provided based on reasonable inquiry of our suppliers and represents our current actual knowledge based on the information they provided. This information is subject to change. The part numbers that TE has identified as EU RoHS compliant have a maximum concentration of 0.1% by weight in homogenous materials for lead, hexavalent chromium, mercury, PBB, PBDE, DBP, BBP, DEHP, DIBP, and 0.01% for cadmium, or qualify for an exemption to these limits as defined in the Annexes of Directive 2011/65/EU (RoHS2). Finished electrical and electronic equipment products will be CE marked as required by Directive 2011/65/EU. Components may not be CE marked. Additionally, the part numbers that TE has identified as EU ELV compliant have a maximum concentration of 0.1% by weight in homogenous materials for lead, hexavalent chromium, and mercury, and 0.01% for cadmium, or qualify for an exemption to these limits as defined in the Annexes of Directive 2000/53/EC (ELV). Regarding the REACH Regulation, the information TE provides on SVHC in articles for this part number is based on the latest European Chemicals Agency (ECHA) 'Guidance on requirements for substances in articles' posted at this URL: <https://echa.europa.eu/guidance-documents/guidance-on-reach>

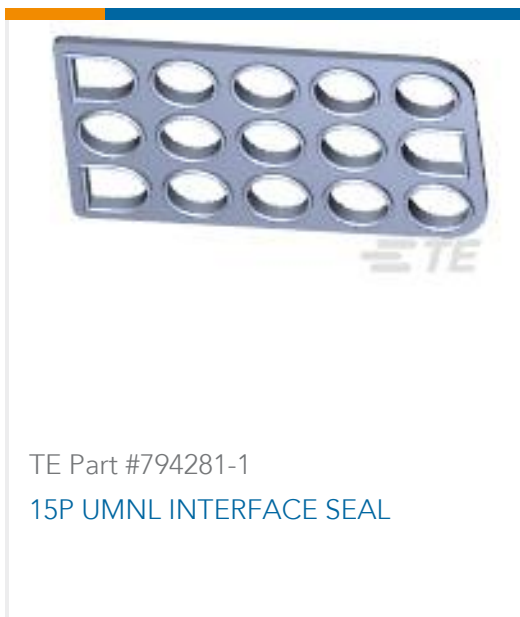
### Compatible Parts

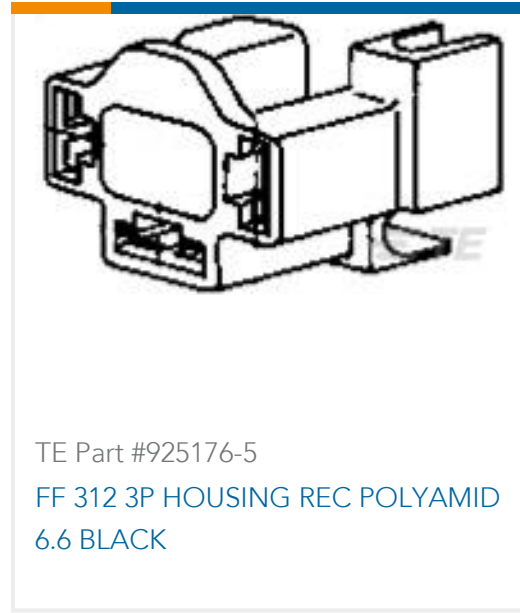


Also in the Series | **SIMEL XCT**



Customers Also Bought





## Documents

### Product Drawings

[XCT 25-8](#)

English

### CAD Files

[3D PDF](#)

English

Customer View Model

[ENG\\_CVM\\_710026-5\\_F.2d\\_dxf.zip](#)

English

Customer View Model

[ENG\\_CVM\\_710026-5\\_F.3d\\_igs.zip](#)

English

Customer View Model

[ENG\\_CVM\\_710026-5\\_F.3d\\_stp.zip](#)

English

By downloading the CAD file I accept and agree to the [Terms and Conditions](#) of use.

### Datasheets & Catalog Pages

[XCT-COPPER-TUBULAR-TERMINALS-FITTINGS](#)

English