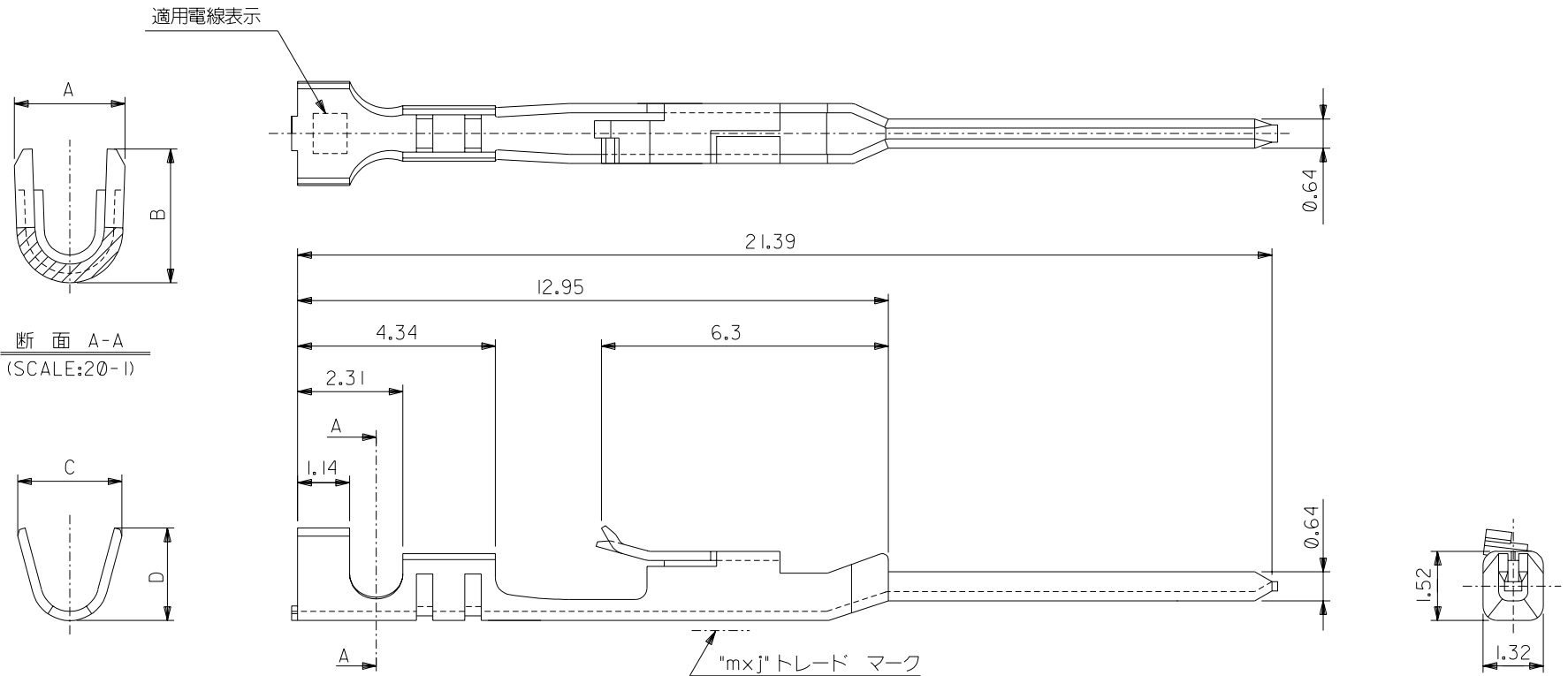


ENG. NO.
SD-70021-0*06
0*23

EDP NO.
—#—

DIMENSIONS IN METRIC DO NOT SCALE DRAWING



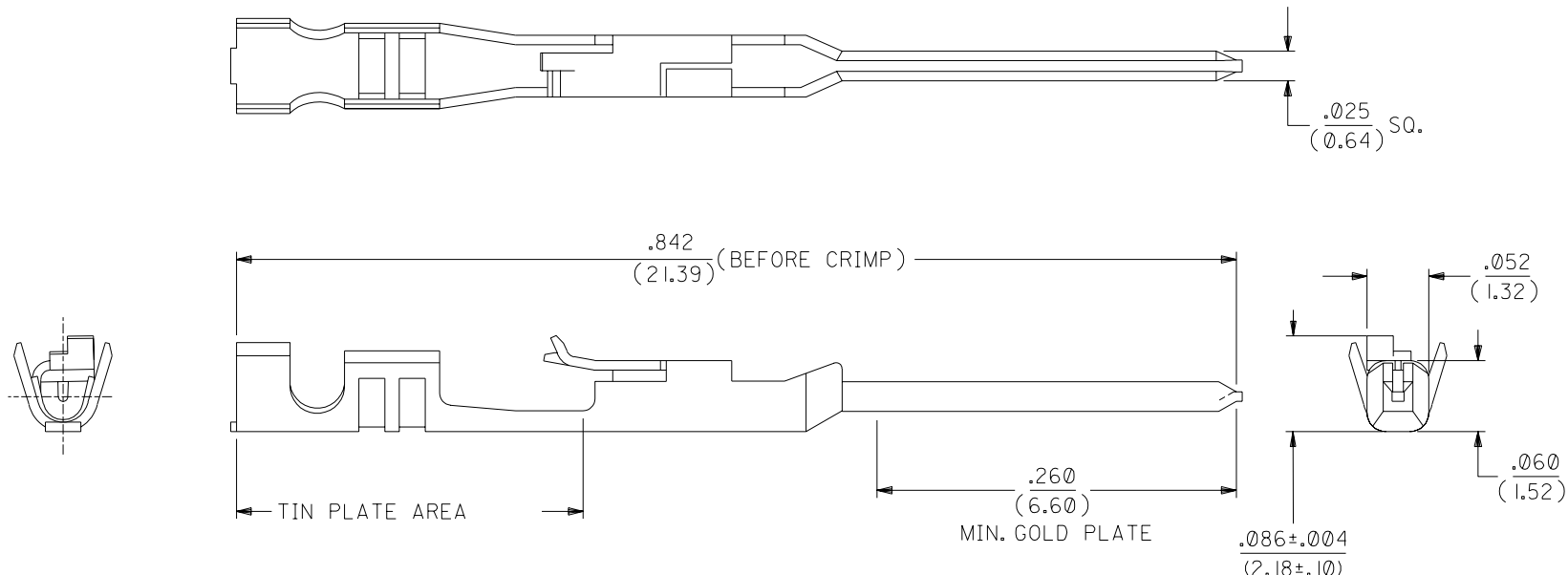
注記:

1. 適合ハウジング: 70066-****, 70107-****
2. メッキ仕様:
 - 接点部 : 金メッキ, 0.38 μmMIN.
 - 圧着部 : 錫メッキ, 1.91 μmMIN.
 - 下地メッキ: ニッケルメッキ, 1.27 μmMIN.

| | | | | | | | | |
|------|-----|------|------|--------|---------------|------------|------|--------------|
| 1.91 | 2.1 | 1.47 | 1.22 | A | φ 1.6 MAX. | AWG#24-#30 | 連鎖状 | 70021-0006 |
| 1.91 | 2.1 | 1.65 | 1.84 | C | | AWG#22-#24 | バラ状 | 70021-0223 |
| D | C | B | A | 適用電線表示 | 被覆外径 | 適用電線範囲 | 端子形状 | MATERIAL No. |

| | | | | | |
|----------------------------|-------|--------------------------------|---------------------|--------------------------|---|
| | | | | 材料 MATERIAL 磷青銅 | MOLEX MOLEX-JAPAN CO.,LTD. 日本モレックス株式会社 |
| | | | | t 0.203 | |
| | | | | 仕上げ FINISH 注記参照 | EDP. NO. —#— |
| | | | | 適用電線範囲 WIRE RANGE 表参照 | ENG. NO. SD-70021-0*06 0*23 |
| | | | | 被覆外径 INS. RANGE 表参照 | REV B |
| 角度 ANGLE | +3° | B 変更 (J2004-4519) | Y.M.S 04/05/31 | DRAWN BY A. Mitake | TITLE 名称 SL MALE CRIMP TERMINAL -LEAD FREE- |
| 30以上 OVER | +0.3 | A 変更 (JD60398) | Y.M.S 95/12/07 | CHK'D BY M. Kuro | |
| 10以上 OVER | +0.25 | 0 新規作成 (T00110) | Y.M.S '90/4/6 | APP'D BY S. Yamada | |
| 10未満 UNDER | +0.2 | 記号 変更内容 LTR REVISION RECORD | DR. CHK. 日付 DATE | 尺度 SCALE 10-1 | |
| 一般公差 GENERAL TOLERANCES | | REVISE ONLY ON CAD SYSTEM | | | |

THIS DRAWING CONTAINS INFORMATION THAT IS PROPRIETARY TO MOLEX(JAPAN) AND SHOULD NOT BE USED WITHOUT WRITTEN PERMISSION
本図面は日本モレックス(株)の所有する情報を含むもので 当社の許可なく複製を禁止する。



NOTES:

1. TERMINAL FOR USE WITH HOUSING PART NO. 70066-**** & 70107-****.
2. MATERIAL: .008/(0.20) THK. PHOSPHOR BRONZE.
3. TERMINAL TO BE USED WITH 22-24 AWG STRANDED WIRE WITH .064 DIA. MAX. INSULATION.
4. REFER TO MOLEX OPERATIONAL AND SERVICE MANUAL FOR DETAILS.
5. REFER TO PRODUCT SPECIFICATION NO. PS-70021.
6. PARTS SUPPLIED LOOSE PER DRAWING PK-70873-0822.

PLATING:

.000015 GOLD PLATE IN SELECT AREA.
 .000075 MIN. TIN PLATE IN SELECT AREA.
 OVER NICKEL PLATE.

*THE PRIMARY SHIPPING CARTON WILL BE LABELED "COMPLIANT TO RoHS DIRECTIVE 2002/95/EC AND ELV ANNEX II OF DIRECTIVE 2000/53/EC". CARTONS WITHOUT THIS LABEL MAY CONTAIN PRODUCT WITH LEAD.

| | |
|----|--|
| E | LEAD FREE UCP2004-1769 RWHITE 04/03/15 |
| D2 | REVISED PER ECR #U80270 MCGRATH 97/07/31 |
| D1 | REVISED PER ECR #U70928 MCGRATH 97/06/26 |
| D | REVISED PLTG. SPEC. PER ECR # U31149 08/19/93 REED |
| C | REVISED PER ECR# U82220 11-07-88 MJM/MGB |
| B | REDRAWN ON CAD PER E.C.M. #9509 11/10/86 WJF/MJM |

| | | | | |
|------|-----|------|------|-----------|
| MFG. | SH. | REV. | LTR. | REVISIONS |
|------|-----|------|------|-----------|

| | | | | | |
|---|---------------|-------------------------|--|---------------------------|---------|
| DIMENSIONS SHOWN (METRIC) INCH | | ▽ = 0 ▼ = 0 | | REVISE ONLY ON CAD SYSTEM | |
| UNLESS OTHERWISE SPECIFIED TOLERANCES: ANGULAR ± 1/2° | | | | | |
| | | INCH | | METRIC | |
| 3 PLACE | ± .010 | --- | | | |
| 2 PLACE | ± .015 | ± 0.25 | | | |
| 1 PLACE | --- | ± 0.35 | | | |
| DRAFT WHERE APPLICABLE MUST REMAIN WITHIN DIMENSIONS | | | | | |
| TITLE | | TERMINAL, MALE CRIMP | | | |
| MOLEX INCORPORATED | | SHEET NO. 1 | | DATE 10/30/86 | |
| LISLE, ILL. 60532 U.S.A. | | | | | |
| PART NO. 16-02-0115 | | DRWG. NO. SD-70021-0223 | | | |
| DRWG. BY WJF | CHK'D. BY MJM | FILE NAME S70021X24 DGN | THIS DRAWING CONTAINS INFORMATION THAT IS PROPRIETARY TO MOLEX INC. AND SHOULD NOT BE USED WITHOUT WRITTEN PERMISSION. | | DIV. DA |
| APP'D. BY WAZ | SCALE 10:1 | | | SIZE B | |