

- NOTES:
1. MATERIAL: NYLON, UL 94V-0
COLOR: WHITE
 2. APPLICABLE TERMINAL: 67262
 3. PRODUCT SPEC.: PS-67261-003.

2	C
1	C
SHT	REV
REVISE ON CAD ONLY	

UPDATE TITLE DESCRIPTION EC NO. T2000-0009 DRWN: GRACE LEU 00/08/28 CHK: EMILY HSU APPR: MEGA LIN	R.T.M. EC NO. T2000-0193 DRWN: G.Wang 00/03/13 CHK: WILSON CHANG APPR: MEGA LIN	NEW RELEASE EC NO. T2000-0043 DRWN: G.Wang 1999/08/26 CHK: Wilson Chang APPR: Mega Lin	QUALITY SYMBOLS MAJOR \blacktriangledown \bigcirc CRITICAL ∇ \bigcirc
C	B	A	REV

GENERAL TOLERANCES: (UNLESS SPECIFIED)	
	mm INCH
4 PLACES	$\pm 0.$ $\pm .$
3 PLACES	$\pm 0.$ $\pm .$
2 PLACES	± 0.25 ± 0.10
1 PLACE	± 0.25 ± 0.10
ANGULAR: +3°	
DRAFT WHERE APPLICABLE MUST REMAIN WITHIN DIMENSIONS	

SCALE 5:1	DESIGN UNITS <input checked="" type="checkbox"/> mm <input type="checkbox"/> INCH
DRAWN BY & DATE G.Wang 1999/08/26	
CHECKED BY & DATE	
APPROVED BY & DATE	
CAD FILENAME S6726101.S01	

THIRD ANGLE PROJECTION		DIMENSIONS: <input type="checkbox"/> mm <input type="checkbox"/> INCH <input type="checkbox"/> mm <input type="checkbox"/> ONLY	
TITLE: 2.50 MM PITCH WIRE TO BOARD, HOUSING			
MATERIAL NO. SEE CHART			
DRAWING NO. SD-67261-001		SHEET NO. 1 OF 2	
THIS DRAWING CONTAINS INFORMATION THAT IS PROPRIETARY TO MOLEX INCORPORATED AND SHOULD NOT BE USED WITHOUT WRITTEN PERMISSION.			
SIZE A3			

DO NOT SCALE DRAWING

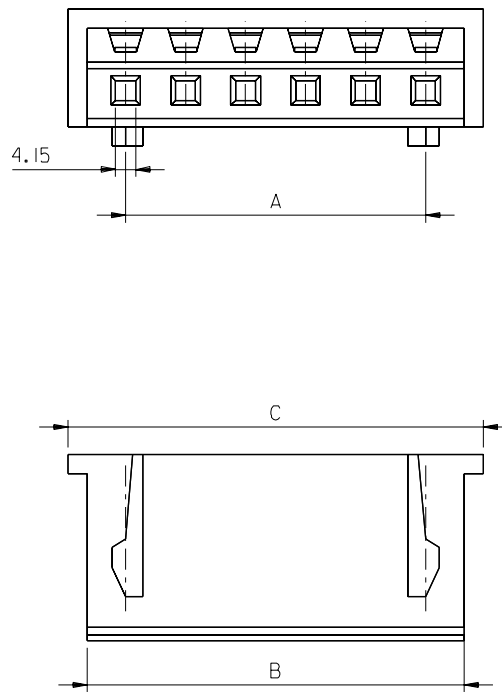
CADFILE NO.:S6726101.S02

SIMILAR ITEM

EDP NO.

ENG. NO SD-67261-0001

8 7 6 5 4 3 2 1



CIRCUITS	A	B	C	CIRCUITS	A	B	C
2	2,5±0,05	5,7±0,20	7,3	9	20,0±0,15	23,2±0,20	24,8±0,20
3	5,0±0,05	8,2±0,20	9,8	10	22,5±0,15	25,7 ^{+0,20} _{-0,30}	27,3 ^{+0,20} _{-0,30}
4	7,5±0,08	10,7±0,20	12,3	11	25,0±0,15	28,4 ^{+0,20} _{-0,30}	29,8 ^{+0,20} _{-0,30}
5	10,0±0,08	13,2±0,20	14,8	12	27,5±0,15	30,7 ^{+0,20} _{-0,30}	32,3 ^{+0,20} _{-0,30}
6	12,5±0,08	15,7±0,20	17,3	13	30,0±0,15	33,2 ^{+0,20} _{-0,30}	34,8 ^{+0,20} _{-0,30}
7	15,0±0,08	18,2±0,20	19,8	14	32,5±0,15	35,7 ^{+0,20} _{-0,30}	37,3 ^{+0,20} _{-0,30}
8	17,5±0,10	20,7±0,20	22,3	15	35,0±0,15	38,2 ^{+0,20} _{-0,30}	39,8 ^{+0,20} _{-0,30}

MATERIAL NO.
67261-**00

PIN NUMBER:
02 ... 15

UPDATE TITLE DESCRIPTION EC NO. T2001-0009 DRWN: GRADE LEU 00/08/28 CHK: EMILY HSU APPR: MEGA LIN		R.T.M. EC NO. T2000-0193 DRWN: G.WANG 00/03/13 CHK: WILSON CHANG APPR: MEGA LIN		NEW RELEASE EC NO. T2000-0043 DRWN: G.WANG 99/08/26 CHK: WILSON CHANG APPR: MEGA LIN		QUALITY SYMBOLS MAJOR = 0 CRITICAL = 0	GENERAL TOLERANCES: (UNLESS SPECIFIED) <table border="1"> <thead> <tr> <th></th> <th>mm</th> <th>INCH</th> </tr> </thead> <tbody> <tr> <td>4 PLACES</td> <td>±0.</td> <td>±.</td> </tr> <tr> <td>3 PLACES</td> <td>±0.</td> <td>±.</td> </tr> <tr> <td>2 PLACES</td> <td>±0.25</td> <td>±.010</td> </tr> <tr> <td>1 PLACE</td> <td>±0.25</td> <td>±.010</td> </tr> </tbody> </table> ANGULAR: +3°		mm	INCH	4 PLACES	±0.	±.	3 PLACES	±0.	±.	2 PLACES	±0.25	±.010	1 PLACE	±0.25	±.010	SCALE 5:1 DESIGN UNITS <input checked="" type="checkbox"/> mm <input type="checkbox"/> INCH DRAWN BY & DATE G.Wang 1999/08/26 CHECKED BY & DATE APPROVED BY & DATE	DIMENSIONS: <input type="checkbox"/> mm <input type="checkbox"/> INCH <input type="checkbox"/> mm <input type="checkbox"/> INCH <input type="checkbox"/> mm ONLY	SHT REV REVISE ON CAD ONLY
	mm	INCH																							
4 PLACES	±0.	±.																							
3 PLACES	±0.	±.																							
2 PLACES	±0.25	±.010																							
1 PLACE	±0.25	±.010																							
TITLE: 2.50 MM PITCH WIRE TO BOARD, HOUSING						THIS DRAWING CONTAINS INFORMATION THAT IS PROPRIETARY TO MOLEX INCORPORATED AND SHOULD NOT BE USED WITHOUT WRITTEN PERMISSION.		SHEET NO. 2 OF 2 SIZE A3																	
C		B		A		REV		DESCRIPTION																	

F

E

D

C

B

A