



Energy & Power > Power Systems Connectors > Compression Connectors



Compression Connector Product Availability: **Worldwide**

Compression Connector Technology: **Crimp**

Compression Connector Voltage Class: **≤ 1 kV**

Compression Connector Conductor Material: **Copper**

Conductor Cross-Section: **50 mm<sup>2</sup>**

## Features

### Product Type Features

|                                  |              |
|----------------------------------|--------------|
| Type                             | Terminal Lug |
| Compression Connector Technology | Crimp        |
| Compression Connector Material   | Tinned Cu    |

### Configuration Features

|                 |   |
|-----------------|---|
| Number of Holes | 1 |
|-----------------|---|

### Electrical Characteristics

|                                     |        |
|-------------------------------------|--------|
| Compression Connector Voltage Class | ≤ 1 kV |
|-------------------------------------|--------|

### Body Features

|  |                              |
|--|------------------------------|
| Barrel Type                              | Rotated 90°                  |
| Conductor Type                           | Flexible Conductor, Stranded |
| Compression Connector Conductor Material | Copper                       |
| Copper Palm                              | Yes                          |

### Contact Features

|            |     |
|------------|-----|
| Crimp Type | Yes |
|------------|-----|

### Dimensions

|               |         |
|---------------|---------|
| Lug Width     | 18 mm   |
| Barrel Length | 18.5 mm |



|                                 |                    |
|---------------------------------|--------------------|
| Barrel Diameter                 | 9.2 mm             |
| Conductor Cross-Section         | 50 mm <sup>2</sup> |
| Palm Hole Diameter              | 10.5               |
| Compression Connector Stud Size | M10                |

### Operation/Application

|                                     |     |
|-------------------------------------|-----|
| Free of Lead, Cadmium, Heavy Metals | Yes |
| Energized Installation              | No  |
| Indoor Use                          | Yes |
| Outdoor Use                         | No  |

### Industry Standards

|               |  |
|---------------|--|
| Standards     | Designed to Meet NFC 20-130 Requirements |
| CSA Certified | No                                       |
| UL Listed     | No                                       |

### Product Availability

|  |           |
|--|-----------|
| Compression Connector Product Availability | Worldwide |
|--|-----------|

## Product Compliance

[For compliance documentation, visit the product page on TE.com>](#)

|   |  |
|---|--|
| EU RoHS Directive 2011/65/EU                  | Compliant  |
| EU ELV Directive 2000/53/EC                   | Compliant  |
| China RoHS 2 Directive MIIT Order No 32, 2016 | No Restricted Materials Above Threshold  |
| EU REACH Regulation (EC) No. 1907/2006        | Current ECHA Candidate List: JUNE 2022 (224)<br>Candidate List Declared Against: JUN 2016 (169)<br>SVHC > Threshold:<br>Not Yet Reviewed |
| Halogen Content                               | Low Halogen - Br, Cl, F, I < 900 ppm per homogenous material. Also BFR/CFR/PVC Free  |
| Solder Process Capability                     | Not applicable for solder process capability   |

#### Product Compliance Disclaimer

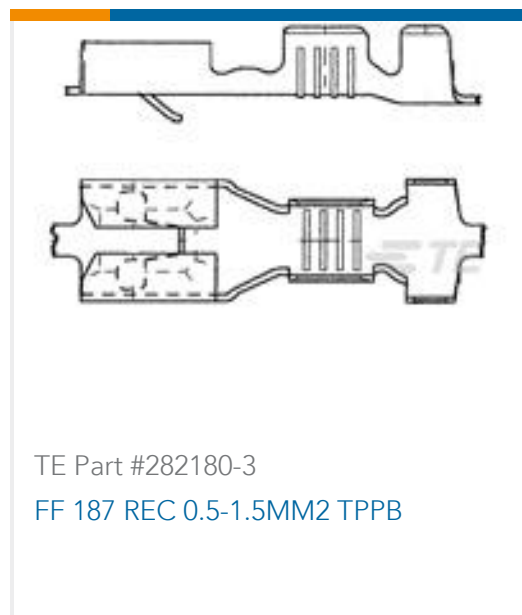
This information is provided based on reasonable inquiry of our suppliers and represents our current actual knowledge based on the information they provided. This information is subject to change. The part numbers that TE has identified as EU RoHS compliant have a maximum concentration of 0.1% by weight in homogenous materials for lead, hexavalent chromium, mercury, PBB, PBDE, DBP, BBP, DEHP, DIBP, and 0.01% for cadmium, or qualify for an exemption to these

limits as defined in the Annexes of Directive 2011/65/EU (RoHS2). Finished electrical and electronic equipment products will be CE marked as required by Directive 2011/65/EU. Components may not be CE marked. Additionally, the part numbers that TE has identified as EU ELV compliant have a maximum concentration of 0.1% by weight in homogenous materials for lead, hexavalent chromium, and mercury, and 0.01% for cadmium, or qualify for an exemption to these limits as defined in the Annexes of Directive 2000/53/EC (ELV). Regarding the REACH Regulation, the information TE provides on SVHC in articles for this part number is based on the latest European Chemicals Agency (ECHA) 'Guidance on requirements for substances in articles' posted at this URL: <https://echa.europa.eu/guidance-documents/guidance-on-reach>

## Compatible Parts



## Customers Also Bought



## Documents

708474-3

Compression Connectors, Worldwide, Crimp,  $\leq 1$  kV, Copper, Yes, Tinned Cu, Indoor Use, Palm Hole Diameter 10.5, Copper Palm, 1 Hole, Stud Size M10



## Datasheets & Catalog Pages

### XCT-COPPER-TUBULAR-TERMINALS-FITTINGS

English