

7-967288-1 ✓ ACTIVE

MQS

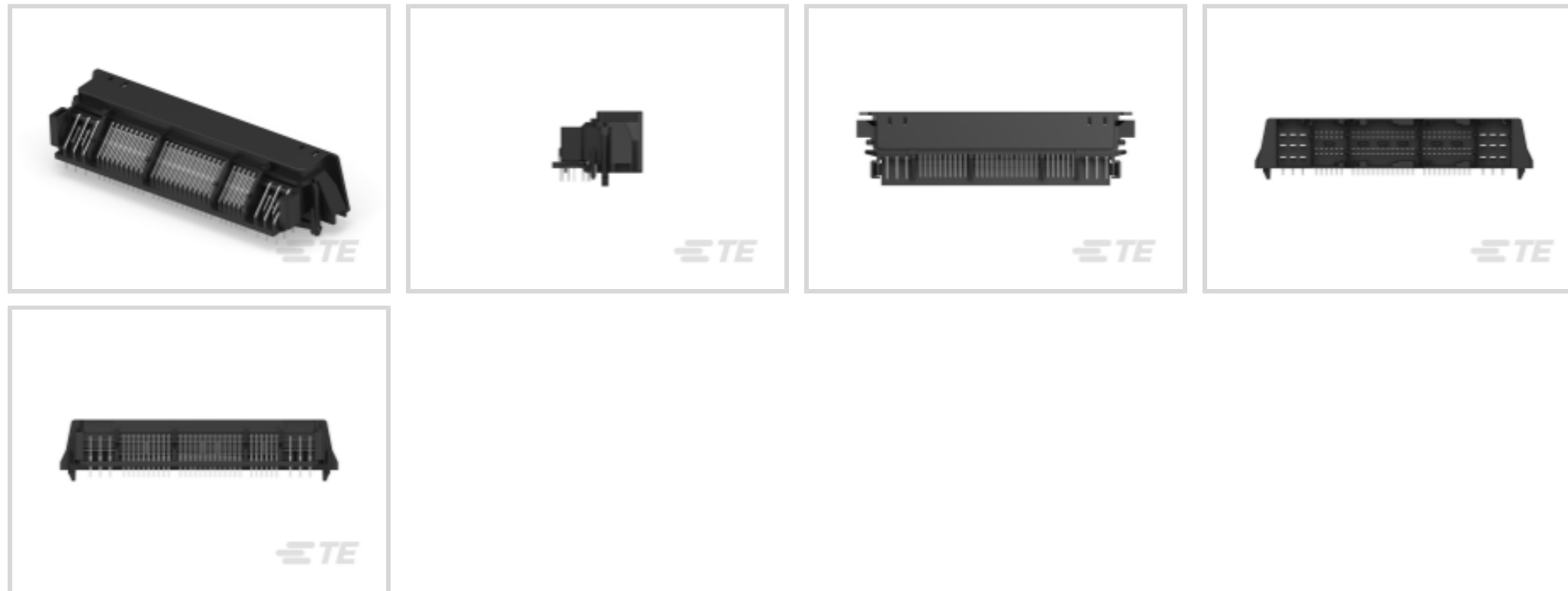
TE Internal #: 7-967288-1

PCB Mount Header, Horizontal, Wire-to-Board, 134 Position, .1 in / .197 in [5 mm / 2.54 mm] Centerline, Fully Shrouded, Tin (Sn), MQS

[View on TE.com >](#)



Connectors > PCB Connectors > PCB Headers & Receptacles > HIGH PIN COUNT HEADER



Connector System: **Wire-to-Board**

Number of Positions: **134**

Centerline (Pitch): **2.54 mm, 5 mm [.1 in, .197 in]**

Sealable: **No**

PCB Mount Orientation: **Horizontal**

[All HIGH PIN COUNT HEADER \(141\)](#)

Features

Product Type Features

Hybrid Header	Yes
Connector & Housing Shape	Rectangular
PCB Connector Assembly Type	PCB Mount Header
Header Type	Fully Shrouded
Connector System	Wire-to-Board
Sealable	No
Connector & Contact Terminates To	Printed Circuit Board

Configuration Features

Number of Sections	5
Number of Signal Positions	116
Number of Positions	134
PCB Mount Orientation	Horizontal
Number of Rows	4



Electrical Characteristics

Nominal Voltage Architecture	12 V
Operating Voltage	12 VDC

Body Features

Primary Product Color	Black
Connector Code	A

Contact Features

Contact Size	.63mm, 3mm
Contact Type	Tab
Mating Tab Width	.63 mm, 3 mm [.025 in][.118 in]
Mating Tab Thickness	.63 mm, .8 mm [.025 in][.031 in]
Contact Mating Area Plating Material	Tin (Sn)

Termination Features

Termination Method to Printed Circuit Board	Through Hole - Solder
---	-----------------------

Mechanical Attachment

Mounting Holes	Without
Mating Retention	With
Mating Alignment	With
PCB Mount Alignment	With
Panel Mount Feature	Without
PCB Mount Retention	With
PCB Mount Retention Type	Boardlock
Mating Retention Type	Locking Interface

Housing Features

Centerline (Pitch)	2.54 mm, 5 mm [.1 in][.197 in]
--------------------	--------------------------------

Dimensions

Connector Length	141 mm [5.551 in]
Connector Width	34.6 mm [1.362 in]
Profile Height from PCB	25.5 mm [1.004 in]

Usage Conditions

Operating Temperature (Max)	65 °C, 70 °C, 75 °C, 80 °C, 85 °C, 90 °C, 100 °C, 105 °C, 110 °C, 120 °C, 125 °C, 130 °C [149 °F][158 °F][167 °F][176 °F][185 °F][194 °F]
-----------------------------	--



F][212 °F][221 °F][230 °F][248 °F][257 °F][266 °F]

Operating Temperature Range

-40 – 130 °C[-40 – 266 °F]

Operation/Application

Shielded

No

Circuit Application

Power & Signal

Industry Standards

UL Flammability Rating

UL 94HB

Packaging Features

Packaging Quantity

50

Other

Interface Number

114-18066-019

Product Compliance

[For compliance documentation, visit the product page on TE.com>](#)

EU RoHS Directive 2011/65/EU

Compliant

EU ELV Directive 2000/53/EC

Compliant

China RoHS 2 Directive MIIT Order No 32, 2016

No Restricted Materials Above Threshold

EU REACH Regulation (EC) No. 1907/2006

Current ECHA Candidate List: JUNE 2022 (224)
Candidate List Declared Against: JUNE 2022 (224)
Does not contain REACH SVHC

Halogen Content

Low Halogen - Br, Cl, F, I < 900 ppm per homogenous material. Also BFR/CFR/PVC Free

Solder Process Capability

Wave solder capable to 240°C

Product Compliance Disclaimer

This information is provided based on reasonable inquiry of our suppliers and represents our current actual knowledge based on the information they provided. This information is subject to change. The part numbers that TE has identified as EU RoHS compliant have a maximum concentration of 0.1% by weight in homogenous materials for lead, hexavalent chromium, mercury, PBB, PBDE, DBP, BBP, DEHP, DIBP, and 0.01% for cadmium, or qualify for an exemption to these limits as defined in the Annexes of Directive 2011/65/EU (RoHS2). Finished electrical and electronic equipment products will be CE marked as required by Directive 2011/65/EU. Components may not be CE marked. Additionally, the part numbers that TE has identified as EU ELV compliant have a maximum concentration of 0.1% by weight in homogenous materials for lead, hexavalent chromium, and mercury, and 0.01% for cadmium, or qualify for an exemption to these limits as defined in the Annexes of Directive 2000/53/EC (ELV). Regarding the REACH Regulation, the information TE provides on SVHC in articles for this part number is based on the latest European Chemicals Agency (ECHA) 'Guidance on requirements for substances in articles' posted at this URL: <https://echa.europa.eu/guidance-documents/guidance-on-reach>

Compatible Parts



TE Part # CAT-T4827-CH8172
TIMER, CONNECTOR HOUSING

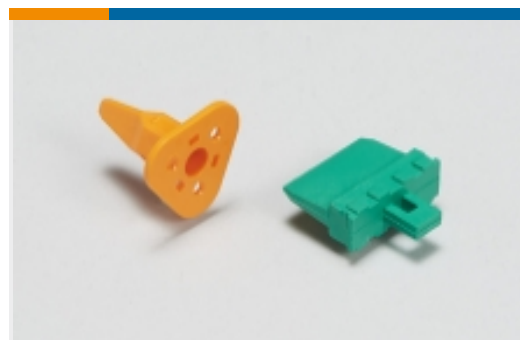
Also in the Series | MQS



Automotive Connector Caps & Covers
(132)



Automotive Connector EMC Shielding
(2)



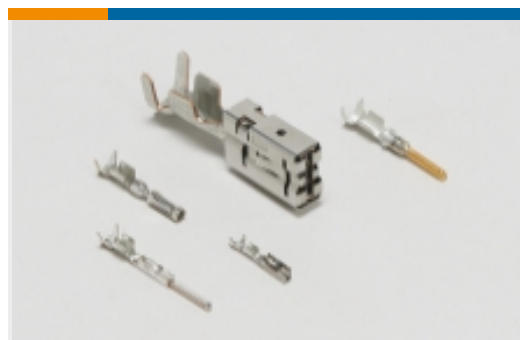
Automotive Connector Locks & Position Assurance
(29)



Automotive Housings(489)



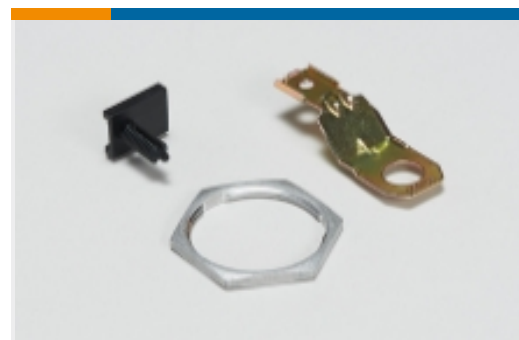
Automotive Seals & Cavity Plugs(26)



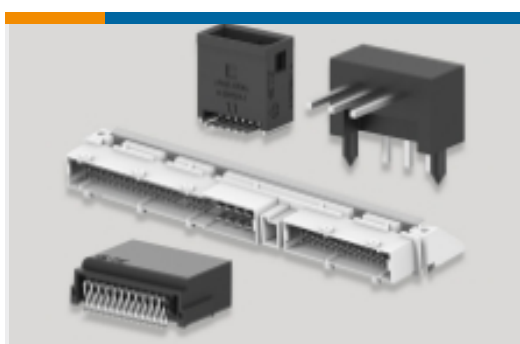
Automotive Terminals(96)



Insertion & Extraction Tools(42)

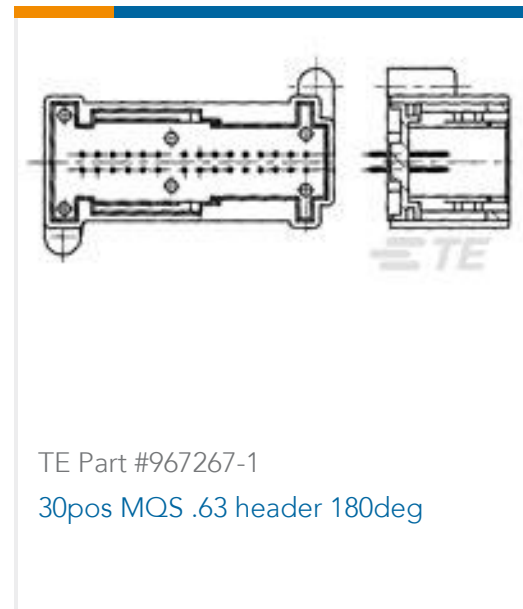
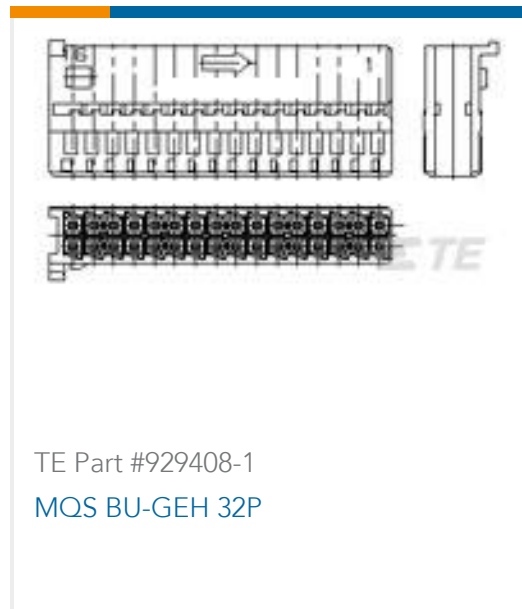


Other Automotive Connector Accessories(13)



PCB Headers & Receptacles(207)

Customers Also Bought



Documents

Product Drawings

[134pos hybrid MQS .63 header 90deg](#)

German

CAD Files

Customer View Model

[ENG_CVM_CVM_7-967288-1_F.2d_dxf.zip](#)

English

[3D PDF](#)

3D

Customer View Model

[ENG_CVM_CVM_7-967288-1_F.3d_igs.zip](#)

English

Customer View Model

[ENG_CVM_CVM_7-967288-1_F.3d_stp.zip](#)

English

By downloading the CAD file I accept and agree to the [Terms and Conditions](#) of use.

Product Specifications

[MQS, JPT Steuergeraetestecker 134 polig](#)

English

[Product Specification](#)

English