

62734-2 ✓ ACTIVE

SHUR-PLUG

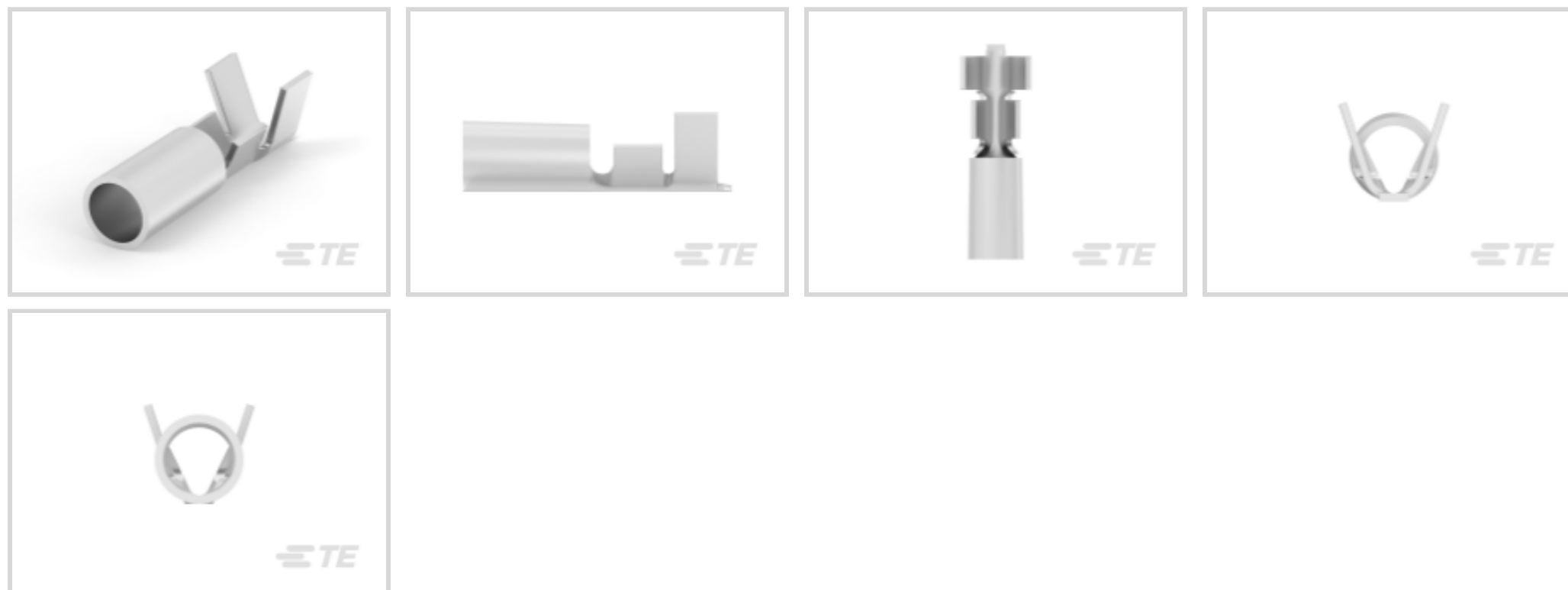
TE Internal #: 62734-2

Crimp Wire Pins, Tabs & Ferrules, Receptacle, Pin Diameter 3.96 mm [.156 in], 18 – 14 AWG Wire Size, .8 – 2 mm² Wire Size, SHUR-PLUG

[View on TE.com >](#)



Terminals & Splices > Crimp Wire Pins, Tabs & Ferrules



Crimp Wire Pin, Tab & Ferrule Terminal Type: **Receptacle**

Pin Diameter: **3.96 mm [.156 in]**

Accepts Wire Insulation Diameter Range: **3.3 – 4.45 mm, 4.45 mm [.13 – .175 in, .175 in]**

Wire Size: **.8 – 2 mm²**

Features

Product Type Features

Sealable	No
Wire Insulation Support Retention Type	Insulation Support

Configuration Features

Strip Orientation	End Feed
Compatible With Wire & Cable Type	Discrete Wire

Body Features

Plating Thickness	2.5 µm
-------------------	--------

Contact Features

Terminal Length	8.7 mm [.344 in]
Crimp Wire Pin, Tab & Ferrule Terminal Type	Receptacle
Barrel Type	Open
Terminal Plating Material	Silver
Terminal Orientation	Straight

Mechanical Attachment



Wire Insulation Support	With
-------------------------	------

Dimensions

	.156 in
Pin Diameter	3.96 mm [.156 in]
Accepts Wire Insulation Diameter Range	3.3 – 4.45 mm, 4.45 mm [.13 – .175 in] [.175 in]
Wire Size	1618 – 4107 CMA
Terminal Material Thickness	.46 mm [.018 in]
Overall Product Length	17.53 mm [.69 in]

Usage Conditions

Insulation Option	Uninsulated
Operating Temperature Range	105 °C [221 °F]

Operation/Application

Connects To	Pin
Heavy Duty	No

Packaging Features

Packaging Quantity	6000
Packaging Method	Reel

Product Compliance

[For compliance documentation, visit the product page on TE.com>](#)

EU RoHS Directive 2011/65/EU	Compliant
EU ELV Directive 2000/53/EC	Compliant
China RoHS 2 Directive MIIT Order No 32, 2016	No Restricted Materials Above Threshold
EU REACH Regulation (EC) No. 1907/2006	Current ECHA Candidate List: JUNE 2022 (224) Candidate List Declared Against: JAN 2022 (223) SVHC > Threshold: Not Yet Reviewed
Halogen Content	Low Halogen - Br, Cl, F, I < 900 ppm per homogenous material. Also BFR/CFR/PVC Free
Solder Process Capability	Not applicable for solder process capability

Product Compliance Disclaimer

This information is provided based on reasonable inquiry of our suppliers and represents our current actual knowledge based on the information they provided. This information is subject to change. The part numbers that TE has identified as EU RoHS compliant have a maximum concentration of 0.1% by weight in homogenous materials for lead, hexavalent chromium, mercury, PBB, PBDE, DBP, BBP, DEHP, DIBP, and 0.01% for cadmium, or qualify for an exemption to these limits as defined in the Annexes of Directive 2011/65/EU (RoHS2). Finished electrical and electronic equipment products will be CE marked as required by Directive 2011/65/EU. Components may not be CE marked. Additionally, the part numbers that TE has identified as EU ELV compliant have a maximum concentration of 0.1% by weight in homogenous materials for lead, hexavalent chromium, and mercury, and 0.01% for cadmium, or qualify for an exemption to these limits as defined in the Annexes of Directive 2000/53/EC (ELV). Regarding the REACH Regulation, the information TE provides on SVHC in articles for this part number is based on the latest European Chemicals Agency (ECHA) 'Guidance on requirements for substances in articles' posted at this URL: <https://echa.europa.eu/guidance-documents/guidance-on-reach>

Compatible Parts



Also in the Series | SHUR-PLUG



Crimp Terminal Housings(1)

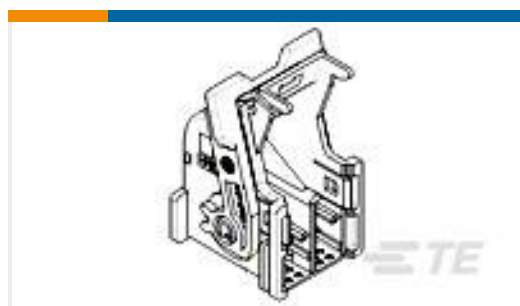
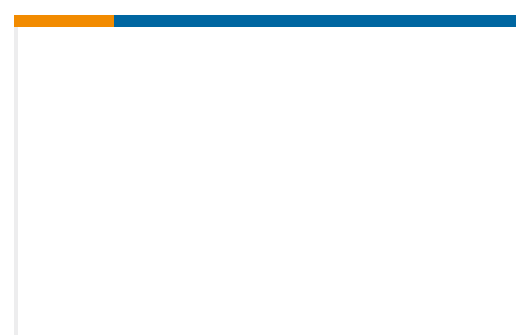
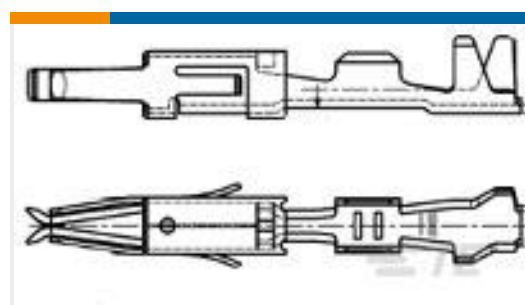


Crimp Wire Pins, Tabs & Ferrules(9)



Ring Terminals & Spade Terminals(3)

Customers Also Bought

TE Part #163007
FF 250 REC HSG 8P NYLON CLEARTE Part #953122-4
40W MQS COVER ASSY (15d)TE Part #1-1418480-1
7 POS MIXED REC HSG CODATE Part #539764-1
EXTRACTION TOOLTE Part #927109-1
3P 3,5MNL.ST.GEH RDTE Part #5-1579007-9
TUBETE Part #8-1579024-7
CRIMPAC II, HT100, F- CRIMPTE Part #827693-1
37P DICHTUNGTE Part #962945-1
MT2 REC 1.6 Contact SRC Sn (LP)

Documents

Product Drawings

SHPL REC IS 18-14 .018SPBR

English

CAD Files

3D PDF

3D



Customer View Model

[ENG_CVM_CVM_62734-2_L.2d_dxf.zip](#)

English

Customer View Model

[ENG_CVM_CVM_62734-2_L.3d_igs.zip](#)

English

Customer View Model

[ENG_CVM_CVM_62734-2_L.3d_stp.zip](#)

English

By downloading the CAD file I accept and agree to the [Terms and Conditions](#) of use.

Datasheets & Catalog Pages

[RADIATION_RESISTANT_PRE-INSULATED_TERMINALS_SPLICES](#)

English