

5745563-1 ✓ ACTIVE

AMPLIMITE | AMPLIMITE Kit

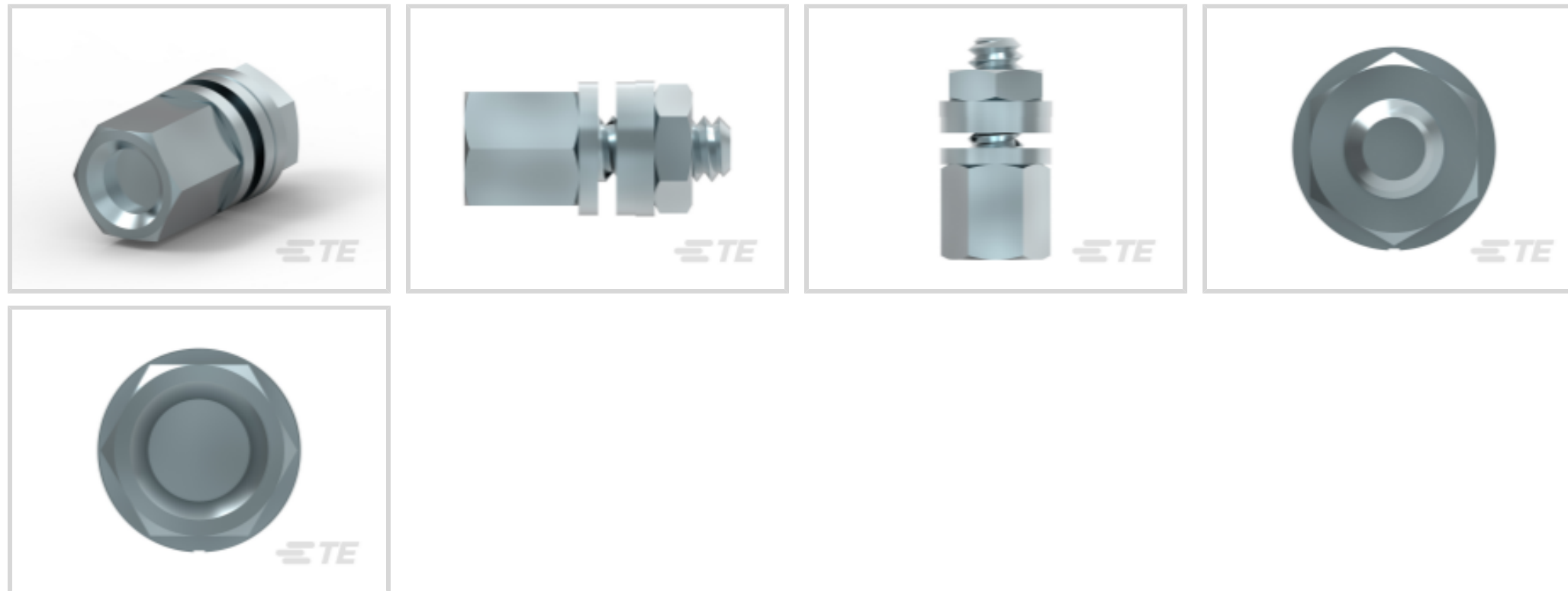
TE Internal #: 5745563-1

D-Sub Locking & Mounting, Female Screwlock Assembly Kit, Screw Length 11.13 mm [.438 in], AMPLIMITE Kit

[View on TE.com >](#)



Connectors > D-Shaped Connectors > D-Sub Accessories > Locking & Mounting



D-Shaped Connector Accessories: **Female Screwlock Assembly Kit**

Screw Length: 11.13 mm [.438 in]

Features

Product Type Features

Product Type	Accessory
D-Shaped Connector Accessories	Female Screwlock Assembly Kit

Mechanical Attachment

Screw Plating Material	Zinc
Screwlock Style	Screwlock with Lockwasher and Hex Nut
Screw Material	Steel
Screw Finish	Yellow Chromate
Screw & Hole Thread Size	4-40
Screw Length	11.13 mm [.438 in]

Dimensions

	.438 in
Thread Length	6.35 mm [.25 in]

Operation/Application

For Use With	Metal Shell and All Plastic Connectors (HDE)
--------------	--

Packaging Features

Packaging Quantity	1
--------------------	---



Packaging Method

Bag, Kit

Product Compliance

[For compliance documentation, visit the product page on TE.com>](#)

EU RoHS Directive 2011/65/EU	Compliant with Exemptions
EU ELV Directive 2000/53/EC	Compliant with Exemptions
China RoHS 2 Directive MIIT Order No 32, 2016	Restricted Materials Above Threshold
EU REACH Regulation (EC) No. 1907/2006	Current ECHA Candidate List: JUNE 2022 (224) Candidate List Declared Against: JUNE 2022 (224) SVHC > Threshold: Pb (.35% in Component Part) Article Safe Usage Statements: Do not eat, drink or smoke when using this product. Wash thoroughly after handling. Recycle if possible and dispose of the article by following all applicable governmental regulations relevant to your geographic location.
Halogen Content	Low Halogen - Br, Cl, F, I < 900 ppm per homogenous material. Also BFR/CFR/PVC Free
Solder Process Capability	Not applicable for solder process capability

Product Compliance Disclaimer

This information is provided based on reasonable inquiry of our suppliers and represents our current actual knowledge based on the information they provided. This information is subject to change. The part numbers that TE has identified as EU RoHS compliant have a maximum concentration of 0.1% by weight in homogenous materials for lead, hexavalent chromium, mercury, PBB, PBDE, DBP, BBP, DEHP, DIBP, and 0.01% for cadmium, or qualify for an exemption to these limits as defined in the Annexes of Directive 2011/65/EU (RoHS2). Finished electrical and electronic equipment products will be CE marked as required by Directive 2011/65/EU. Components may not be CE marked. Additionally, the part numbers that TE has identified as EU ELV compliant have a maximum concentration of 0.1% by weight in homogenous materials for lead, hexavalent chromium, and mercury, and 0.01% for cadmium, or qualify for an exemption to these limits as defined in the Annexes of Directive 2000/53/EC (ELV). Regarding the REACH Regulation, the information TE provides on SVHC in articles for this part number is based on the latest European Chemicals Agency (ECHA) 'Guidance on requirements for substances in articles' posted at this URL: <https://echa.europa.eu/guidance-documents/guidance-on-reach>

Compatible Parts

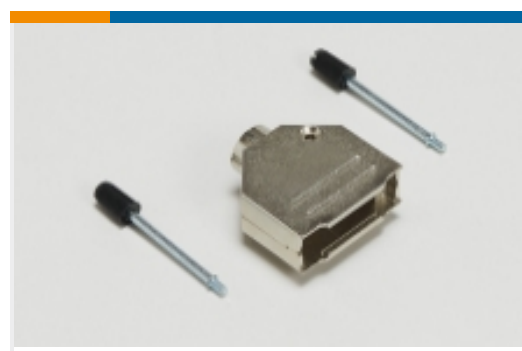
TE Part # 5745563-3
HD KIT, SCREWLOCK

TE Part # 5207953-2
SCREWLOCK, ZN PLTD

TE Part # 5207883-2
LOCKWASHER SPRING, PLTD

TE Part # 5745563-5
HD KIT, SCREWLOCK FEMALE

Also in the Series | **AMPLIMITE Kit**



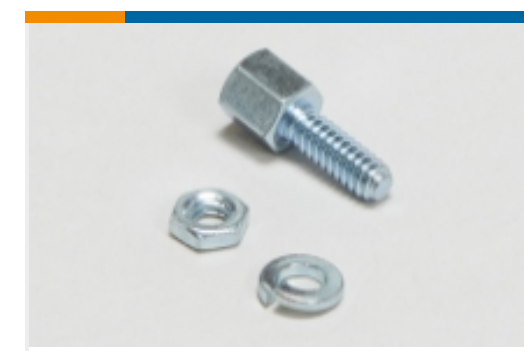
D-Sub Backshells & Clamps(135)



D-Sub Contact Accessories(1)

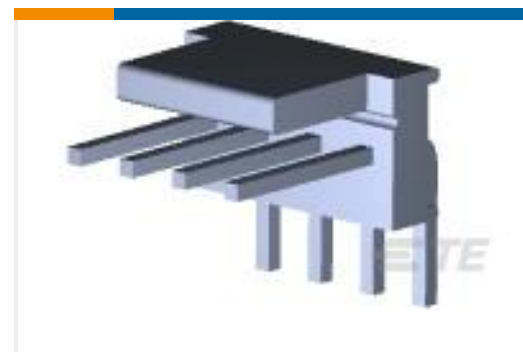
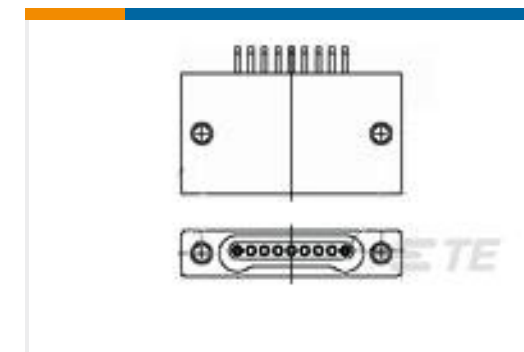


D-Sub Covers(3)



D-Sub Locking & Mounting(122)

Customers Also Bought

TE Part #3-534206-0
60 MODII VRT DR CE 100/115TE Part #3-641214-4
04P MTA100 HDR ASSY PO/RA LFTE Part #YDTS26W15-97SAV001
PLUG ASSYTE Part #5-1589462-4
SSM005L2AQ = SMT ConnTE Part #696424-6
TERMINAL,PIDG PVF2 R 12-10 10TE Part #3-2176374-1
RQ 0805 221R 0.1% 10PPM 1K RL

Documents

Product Drawings

[HD KIT,SCREWLOCK FEMALE](#)

English

CAD Files

[3D PDF](#)

3D

Customer View Model

[ENG_CVM_CVM_5745563-1_A.2d_dxf.zip](#)

English

Customer View Model

[ENG_CVM_CVM_5745563-1_A.3d_igs.zip](#)

English

Customer View Model

[ENG_CVM_CVM_5745563-1_A.3d_stp.zip](#)

English

By downloading the CAD file I accept and agree to the [Terms and Conditions](#) of use.



Datasheets & Catalog Pages

[AMPLIMITE Subminiature D Connectors - Cable Connectors](#)

English

[AMPLIMITE Cable Connectors and Shielding Hardware Kits QRG](#)

English

Product Environmental Compliance

[MD_5745563-1_0405201851_dmtec](#)

English

[MD_5745563-1_0405201851_dmtec](#)

English

Instruction Sheets

[Instruction Sheet \(U.S.\)](#)

English