

557313-1 ✓ ACTIVE

AMP

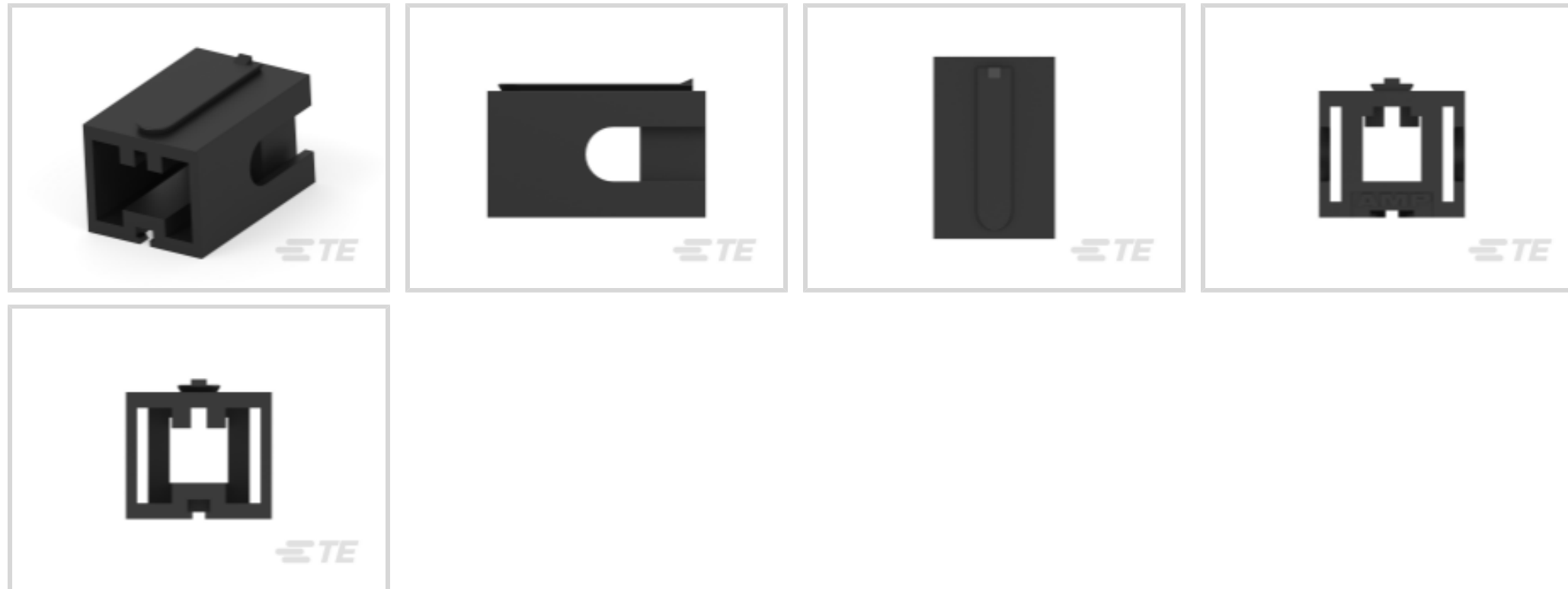
TE Internal #: 557313-1

Rectangular Connector Adapters, Adapter, 8-32 UNC-2A, UL 94V-0, Wire-to-Wire, 1 Position, Wire & Cable, Panel Mount, 0 – 105 °C [32 – 221 °F]

[View on TE.com >](#)



Connectors > Rectangular Connectors > Rectangular Connector Accessories > Rectangular Connector Adapters



Rectangular Connector Adapter Type: **Adapter**

Screw & Hole Thread Size: **8-32 UNC-2A**

UL Flammability Rating: **UL 94V-0**

Connector System: **Wire-to-Wire**

Number of Positions: **1**

Features

Product Type Features

Rectangular Connector Adapter Type	Adapter
Connector System	Wire-to-Wire
Sealable	No
Connector & Contact Terminates To	Wire & Cable

Configuration Features

Number of Positions	1
---------------------	---

Body Features

Color	Black
-------	-------

Mechanical Attachment

Screw & Hole Thread Size	8-32 UNC-2A
Connector Mounting Type	Panel Mount

Usage Conditions

Operating Temperature Range	0 – 105 °C[32 – 221 °F]
-----------------------------	-------------------------



Industry Standards

UL Flammability Rating	UL 94V-0
------------------------	----------

Product Compliance

[For compliance documentation, visit the product page on TE.com>](#)

EU RoHS Directive 2011/65/EU	Compliant
EU ELV Directive 2000/53/EC	Compliant
China RoHS 2 Directive MIIT Order No 32, 2016	No Restricted Materials Above Threshold
EU REACH Regulation (EC) No. 1907/2006	Current ECHA Candidate List: JUNE 2022 (224) Candidate List Declared Against: JAN 2022 (223) SVHC > Threshold: Not Yet Reviewed
Halogen Content	Not Low Halogen - contains Br or Cl > 900 ppm.
Solder Process Capability	Not applicable for solder process capability

Product Compliance Disclaimer

This information is provided based on reasonable inquiry of our suppliers and represents our current actual knowledge based on the information they provided. This information is subject to change. The part numbers that TE has identified as EU RoHS compliant have a maximum concentration of 0.1% by weight in homogenous materials for lead, hexavalent chromium, mercury, PBB, PBDE, DBP, BBP, DEHP, DIBP, and 0.01% for cadmium, or qualify for an exemption to these limits as defined in the Annexes of Directive 2011/65/EU (RoHS2). Finished electrical and electronic equipment products will be CE marked as required by Directive 2011/65/EU. Components may not be CE marked. Additionally, the part numbers that TE has identified as EU ELV compliant have a maximum concentration of 0.1% by weight in homogenous materials for lead, hexavalent chromium, and mercury, and 0.01% for cadmium, or qualify for an exemption to these limits as defined in the Annexes of Directive 2000/53/EC (ELV). Regarding the REACH Regulation, the information TE provides on SVHC in articles for this part number is based on the latest European Chemicals Agency (ECHA) 'Guidance on requirements for substances in articles' posted at this URL: <https://echa.europa.eu/guidance-documents/guidance-on-reach>

Compatible Parts



Customers Also Bought



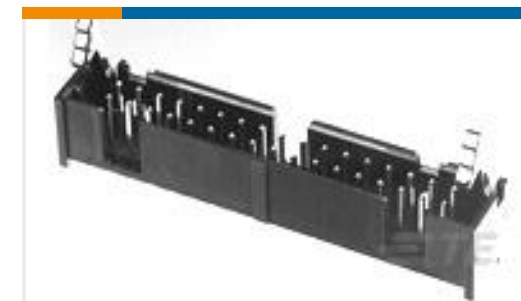
TE Part #53880-4
CONTACT,PWR LK,SRS2,LS PC,CRMP



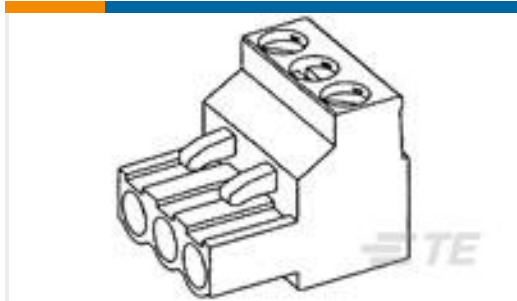
TE Part #2-34160-1
TERMINAL,PG R 16-14 8, TAPE



TE Part #60617-6
CMNL SOK AUPHBZ L/P



TE Part #104128-5
026 LOPRO HDR SP 30DP LATCH



TE Part #796635-6
6 POS 5.08MM R/A PLUG,TRM BLK



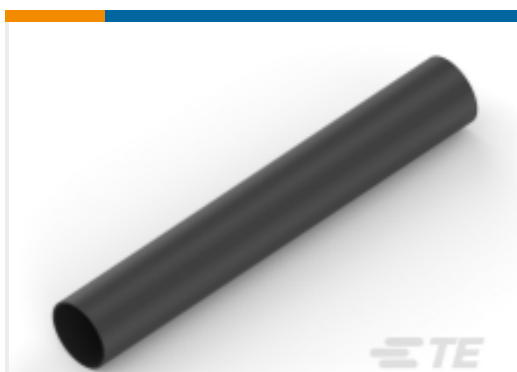
TE Part #5554434-1
EMI RCPT ASSY,24 POSN,SHLD



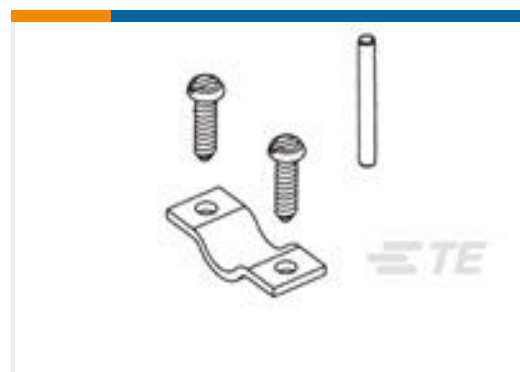
TE Part #556879-4
PLUG HSG,AMPINNERGY WTB,4 POS



TE Part #556880-2
CONT,AMPINNERGY WTB,STRIP,10-12



TE Part #NB14902001
DWP-125-3/16-0-STK



TE Part #647747-3
KIT,CBL CLAMP,HDWR PACK,4 POLE

Documents

Product Drawings

[MOUNTING ADAPTR,AMPINNERGY WTW](#)

English

CAD Files

Customer View Model

[ENG_CVM_557313-1_A.3d_igs.zip](#)

English

Customer View Model

[ENG_CVM_557313-1_A.3d_stp.zip](#)

English

Customer View Model

[ENG_CVM_557313-1_A.2d_dxf.zip](#)

English

[3D PDF](#)

English

By downloading the CAD file I accept and agree to the [Terms and Conditions](#) of use.

Datasheets & Catalog Pages



[1654742_HOUSEHOLD_APPLIANCES_RAST5](#)

English

[POWER_CONNECTORS_CATALOG_SEC02_CABLE_MOUNTED](#)

English

[Product Specifications](#)

[Application Specification](#)

English

[Product Environmental Compliance](#)

[TE Material Declaration](#)

English