

5745174-2 ✓ ACTIVE

AMPLIMITE | AMPLIMITE Kit

TE Internal #: 5745174-2

D-Sub Backshells & Clamps, Cable Clamp Kit, Two-Piece RFI/EMI Shield, 37 Position, Size 4, Shielded, Cable Exit Angle 180° (In-Line), AMPLIMITE Kit

[View on TE.com >](#)



Connectors > D-Shaped Connectors > D-Sub Accessories > D-Sub Backshells & Clamps



D-Shaped Connector Accessories: **Cable Clamp Kit**

Cable Clamp Type: **Two-Piece RFI/EMI Shield**

Number of Positions: **37**

Compatible With Connector Shell Size: **4**

Shielded: **Yes**

## Features

### Product Type Features

|                                   |                 |
|-----------------------------------|-----------------|
| Grommets                          | Without         |
| Product Type                      | Accessory       |
| D-Shaped Connector Accessories    | Cable Clamp Kit |
| Connector & Contact Terminates To | Wire & Cable    |

### Configuration Features

|                     |    |
|---------------------|----|
| Number of Positions | 37 |
|---------------------|----|

### Body Features

|                         |                          |
|-------------------------|--------------------------|
| Shield Plating Material | Nickel over Copper       |
| Cable Clamp Material    | Zinc Alloy               |
| Shield Plating Finish   | Bright                   |
| Cable Clamp Type        | Two-Piece RFI/EMI Shield |
| Cable Exit Angle        | 180° (In-Line)           |

### Mechanical Attachment

|                          |      |
|--------------------------|------|
| Screw & Hole Thread Size | 4-40 |
|--------------------------|------|



### Dimensions

|                                 |                  |
|---------------------------------|------------------|
| Cable Insulation Diameter Range | 14.6 mm[.575 in] |
|---------------------------------|------------------|

### Usage Conditions

|                             |                           |
|-----------------------------|---------------------------|
| Operating Temperature Range | -55 – 85 °C[-67 – 185 °F] |
|-----------------------------|---------------------------|

### Operation/Application

|                                      |     |
|--------------------------------------|-----|
| Compatible With Connector Shell Size | 4   |
| Shielded                             | Yes |

### Identification Marking

|                       |   |
|-----------------------|---|
| Identification Letter | R |
|-----------------------|---|

### Packaging Features

|                    |     |
|--------------------|-----|
| Packaging Quantity | 1   |
| Packaging Method   | Bag |

### Other

|         |   |
|---------|---|
| Comment | All parts are packaged unassembled., Jackscrews must be purchased separately., Shielded cable clamps will not accept connector housings with clinch nuts. |
|---------|---|

|                                     |          |
|-------------------------------------|----------|
| Long Turnable Jackscrew Part Number | 747784-3 |
|-------------------------------------|----------|

### Product Compliance

[For compliance documentation, visit the product page on TE.com>](#)

|   |  |
|---|--|
| EU RoHS Directive 2011/65/EU                  | Compliant  |
| EU ELV Directive 2000/53/EC                   | Compliant  |
| China RoHS 2 Directive MIIT Order No 32, 2016 | No Restricted Materials Above Threshold  |
| EU REACH Regulation (EC) No. 1907/2006        | Current ECHA Candidate List: JUNE 2022 (224)<br>Candidate List Declared Against: JAN 2022 (223)<br>SVHC > Threshold:<br>Not Yet Reviewed |
| Halogen Content                               | Low Halogen - Br, Cl, F, I < 900 ppm per homogenous material. Also BFR/CFR/PVC Free  |
| Solder Process Capability                     | Not applicable for solder process capability   |

Product Compliance Disclaimer



This information is provided based on reasonable inquiry of our suppliers and represents our current actual knowledge based on the information they provided. This information is subject to change. The part numbers that TE has identified as EU RoHS compliant have a maximum concentration of 0.1% by weight in homogenous materials for lead, hexavalent chromium, mercury, PBB, PBDE, DBP, BBP, DEHP, DIBP, and 0.01% for cadmium, or qualify for an exemption to these limits as defined in the Annexes of Directive 2011/65/EU (RoHS2). Finished electrical and electronic equipment products will be CE marked as required by Directive 2011/65/EU. Components may not be CE marked. Additionally, the part numbers that TE has identified as EU ELV compliant have a maximum concentration of 0.1% by weight in homogenous materials for lead, hexavalent chromium, and mercury, and 0.01% for cadmium, or qualify for an exemption to these limits as defined in the Annexes of Directive 2000/53/EC (ELV). Regarding the REACH Regulation, the information TE provides on SVHC in articles for this part number is based on the latest European Chemicals Agency (ECHA) 'Guidance on requirements for substances in articles' posted at this URL: <https://echa.europa.eu/guidance-documents/guidance-on-reach>

### Compatible Parts



TE Part # CAT-AM7-248H5  
IDC D-Sub: Receptacle Assembly, Wire to Wire, Signal, 2.77 mm



TE Part # CAT-AM7-248H3  
IDC D-Sub: Plug Assembly, Wire to Wire, Signal, 2.77 mm

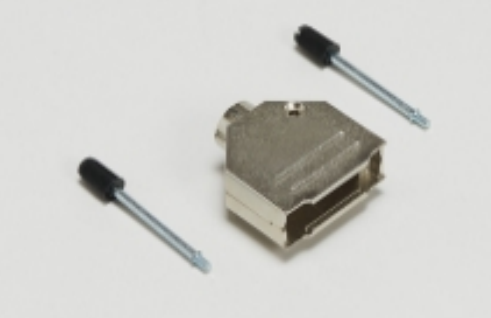


TE Part # 745255-2  
SPRING LATCH 2/BAG



TE Part # 1-745508-0  
FERRULE SPLIT RING, HD

### Also in the Series | AMPLIMITE Kit




D-Sub Backshells & Clamps(135)



D-Sub Contact Accessories(1)



D-Sub Covers(3)



D-Sub Locking & Mounting(122)

### Customers Also Bought



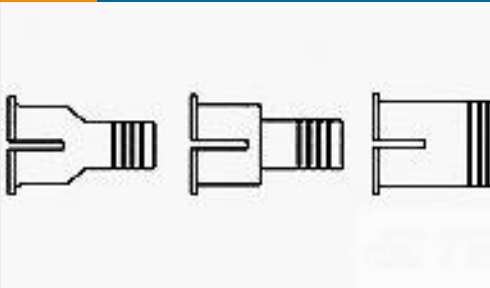
TE Part #66428-4  
III+ SKT,30-26,30AU/FL,LP



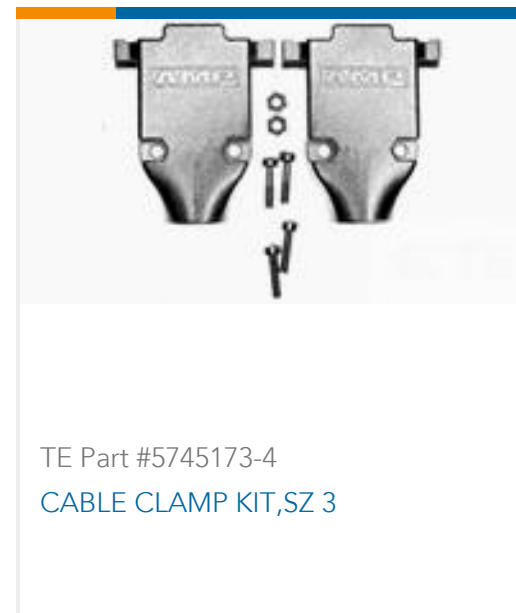
TE Part #5745174-1  
CABLE CLAMP KIT,SZ 4



TE Part #4-745130-2  
SHLDING FERRULE,PLTD,BULK PKG



TE Part #7-745129-4  
SHLDING FERRULE,PLTD,BULK PKG



## Documents

### Product Drawings

[CABLE CLAMP KIT,SZ 4,.575](#)

English

### CAD Files

[3D PDF](#)

English

**Customer View Model**

[ENG\\_CVM\\_5745174-2\\_O.2d\\_dxf.zip](#)

English

**Customer View Model**

[ENG\\_CVM\\_5745174-2\\_O.3d\\_igs.zip](#)

English

**Customer View Model**

[ENG\\_CVM\\_5745174-2\\_O.3d\\_stp.zip](#)

English

By downloading the CAD file I accept and agree to the [Terms and Conditions](#) of use.

### Datasheets & Catalog Pages

[AMPLIMITE Subminiature D Connectors - Cable Connectors](#)

English

[AMPLIMITE Cable Connectors and Shielding Hardware Kits QRG](#)

English

### Product Specifications

[Product Specification](#)

English

[Product Specification](#)

English

### Product Environmental Compliance

[MD\\_5745174-2\\_030620122231](#)

English

[MD\\_5745174-2\\_030620122231](#)

English



[Instruction Sheets](#)

[Instruction Sheet \(U.S.\)](#)

English