

## AMP

TE Internal #: 640545-2

Power Contacts, Contact, 250 VAC, 250 VDC, Gold, 26 – 18 AWG

Wire Size, .12 – .8 mm<sup>2</sup> Wire Size, 236.823 – 1578.82 CMA Wire Size,

Wire-to-Wire

[View on TE.com >](#)

Connectors &gt; Power Connectors &gt; Power Contacts

Power Contact Type: **Contact**Operating Voltage: **250 VDC**Contact Mating Area Plating Material: **Gold**Wire Size: **26 – 18 AWG****Features****Product Type Features**

Power Contact Type	Contact
Connector System	Wire-to-Wire
Sealable	No
Connector & Contact Terminates To	Wire & Cable

**Configuration Features**

Number of Positions	1
---------------------	---

**Electrical Characteristics**

Operating Voltage	250 VDC
-------------------	---------

**Contact Features**

Contact Fabrication	Stamped & Formed
Contact Mating Area Plating Material	Gold
Contact Current Rating (Max)	9 A
Contact Type	Pin
Contact Retention Within Housing	With



Mating Pin Diameter	1.45 mm[.057 in]
---------------------	------------------

Contact Base Material	Phosphor Bronze
-----------------------	-----------------

Contact Mating Area Plating Material Thickness	.76 μm[29.92 μin]
--	-------------------

Wire Contact Termination Area Plating Thickness	1.27 μm[50 μin]
---	-----------------

Wire Contact Termination Area Plating Material	Nickel
--	--------

Wire Contact Termination Area Plating Material Finish	Matte
---	-------

Contact Orientation	Straight
---------------------	----------

Contact Underplating Material	Nickel
-------------------------------	--------

Contact Underplating Material Thickness	1.27 μm[1.27 μin]
---	-------------------

### Termination Features

Termination Method to Wire & Cable	Crimp
------------------------------------	-------

### Mechanical Attachment

Wire Insulation Support	With
-------------------------	------

### Dimensions

Wire Size	236.823 – 1578.82 CMA
-----------	-----------------------

Accepts Wire Insulation Diameter Range	.64 – 2.92 mm[.05 – .115 in]
--	------------------------------

### Usage Conditions

Operating Temperature Range	-55 – 85 °C[-67 – 185 °F]
-----------------------------	---------------------------

### Operation/Application

Circuit Application	Power & Signal
---------------------	----------------

### Packaging Features

Packaging Method	Bag
------------------	-----

### Other

Wire/Cable Type	Discrete Wire
-----------------	---------------

### Product Compliance

[For compliance documentation, visit the product page on TE.com>](#)

EU RoHS Directive 2011/65/EU	Compliant
------------------------------	-----------

EU ELV Directive 2000/53/EC	Compliant
-----------------------------	-----------

China RoHS 2 Directive MIIT Order No 32, 2016	No Restricted Materials Above Threshold
---	---

EU REACH Regulation (EC) No. 1907/2006	Current ECHA Candidate List: JUNE 2022 (224)
--	--

Candidate List Declared Against: JAN 2022  
(223)  
SVHC > Threshold:  
Not Yet Reviewed

Halogen Content  
Low Halogen - Br, Cl, F, I < 900 ppm per homogenous material. Also BFR/CFR/PVC Free

Solder Process Capability  
Not applicable for solder process capability

Product Compliance Disclaimer

This information is provided based on reasonable inquiry of our suppliers and represents our current actual knowledge based on the information they provided. This information is subject to change. The part numbers that TE has identified as EU RoHS compliant have a maximum concentration of 0.1% by weight in homogenous materials for lead, hexavalent chromium, mercury, PBB, PBDE, DBP, BBP, DEHP, DIBP, and 0.01% for cadmium, or qualify for an exemption to these limits as defined in the Annexes of Directive 2011/65/EU (RoHS2). Finished electrical and electronic equipment products will be CE marked as required by Directive 2011/65/EU. Components may not be CE marked. Additionally, the part numbers that TE has identified as EU ELV compliant have a maximum concentration of 0.1% by weight in homogenous materials for lead, hexavalent chromium, and mercury, and 0.01% for cadmium, or qualify for an exemption to these limits as defined in the Annexes of Directive 2000/53/EC (ELV). Regarding the REACH Regulation, the information TE provides on SVHC in articles for this part number is based on the latest European Chemicals Agency (ECHA) 'Guidance on requirements for substances in articles' posted at this URL: <https://echa.europa.eu/guidance-documents/guidance-on-reach>

### Compatible Parts



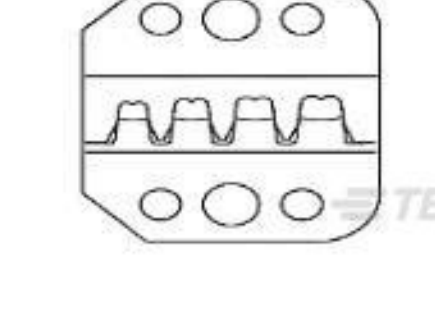
TE Part # 2063388-1  
TOOL, EXTRACTION



TE Part # 58514-1  
PROCRIMP TL W/DIE MR26-18



TE Part # 91526-1  
CCII MR II+ REC 26-18 ASSY

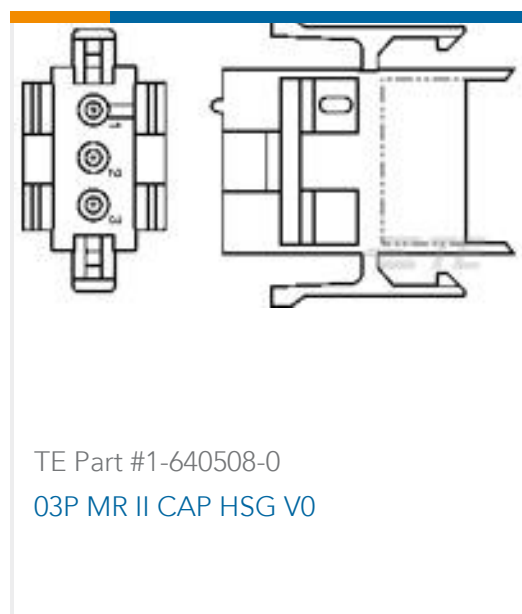


TE Part # 58514-2  
PROCRIMP DIE MR26-18

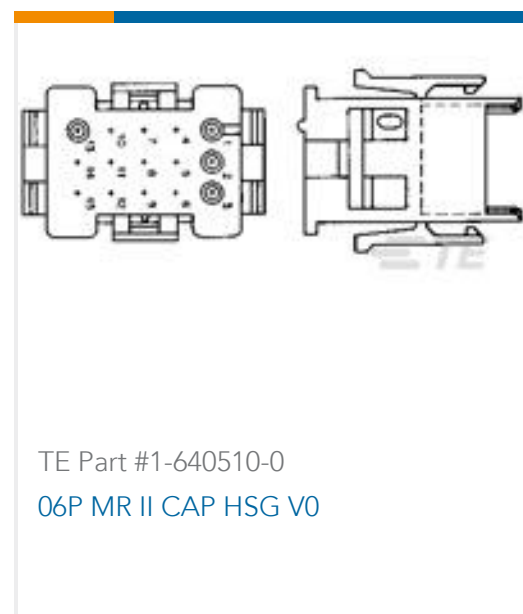


TE Part # 91526-3  
CCII MR II+ REC 26-18 HEAD

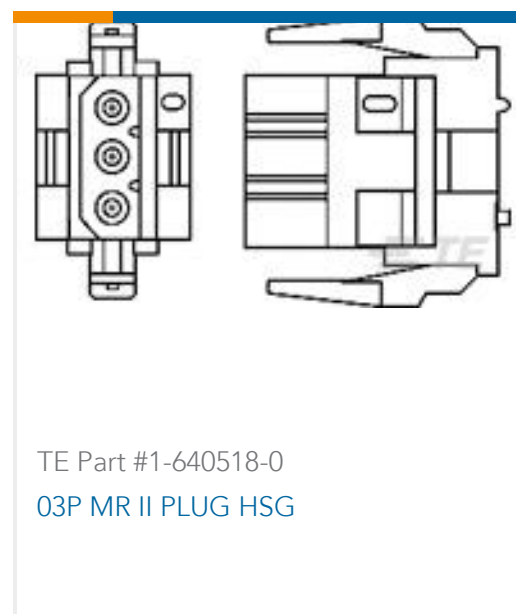
### Customers Also Bought



TE Part #1-640508-0  
03P MR II CAP HSG V0



TE Part #1-640510-0  
06P MR II CAP HSG V0



TE Part #1-640518-0  
03P MR II PLUG HSG



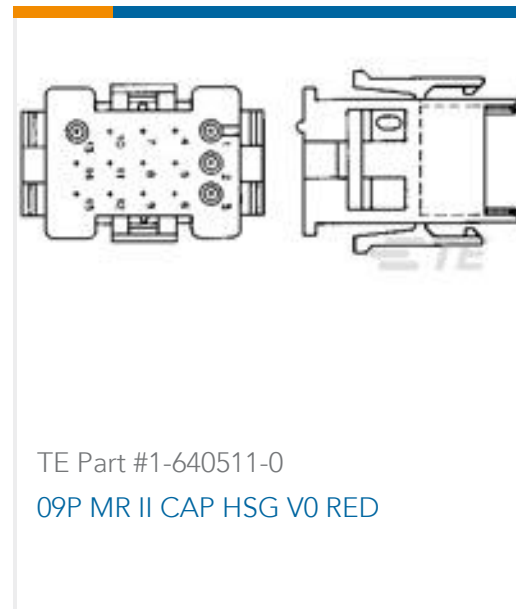
TE Part #640579-2  
MR SPLIT PIN AUPHBRZ LP 26-24



TE Part #640713-2  
02P UMNL STR/RELIEVE



TE Part #DP86-001D  
1PSID MV DIFFERENTIAL PRESSURE  
SENSOR



TE Part #1-640511-0  
09P MR II CAP HSG V0 RED

## Documents

### Product Drawings

#### MR SPLIT PIN 26-18 AUPHBRZ LP

English

### CAD Files

#### Customer View Model

[ENG\\_CVM\\_640545-2\\_C.3d\\_igs.zip](#)

English

#### Customer View Model

[ENG\\_CVM\\_640545-2\\_C.3d\\_stp.zip](#)

English

#### Customer View Model

[ENG\\_CVM\\_640545-2\\_C.2d\\_dxf.zip](#)

English

### 3D PDF

English

### 3D PDF

3D

#### Customer View Model

[ENG\\_CVM\\_CVM\\_640545-2\\_B.2d\\_dxf.zip](#)

English

#### Customer View Model

[ENG\\_CVM\\_CVM\\_640545-2\\_B.3d\\_igs.zip](#)

English

#### Customer View Model

[ENG\\_CVM\\_CVM\\_640545-2\\_B.3d\\_stp.zip](#)

English



By downloading the CAD file I accept and agree to the [Terms and Conditions](#) of use.

### Datasheets & Catalog Pages

[SOFT\\_SHELL\\_PIN\\_AND\\_SOCKET\\_CONNECTORS\\_CATALOG](#)

English

### Product Specifications

[Application Specification](#)

English

### Product Environmental Compliance

[MD\\_640545-2\\_10312017717\\_dmtec](#)

English

[MD\\_640545-2\\_10312017717\\_dmtec](#)

English

### Agency Approvals

[UL](#)

English