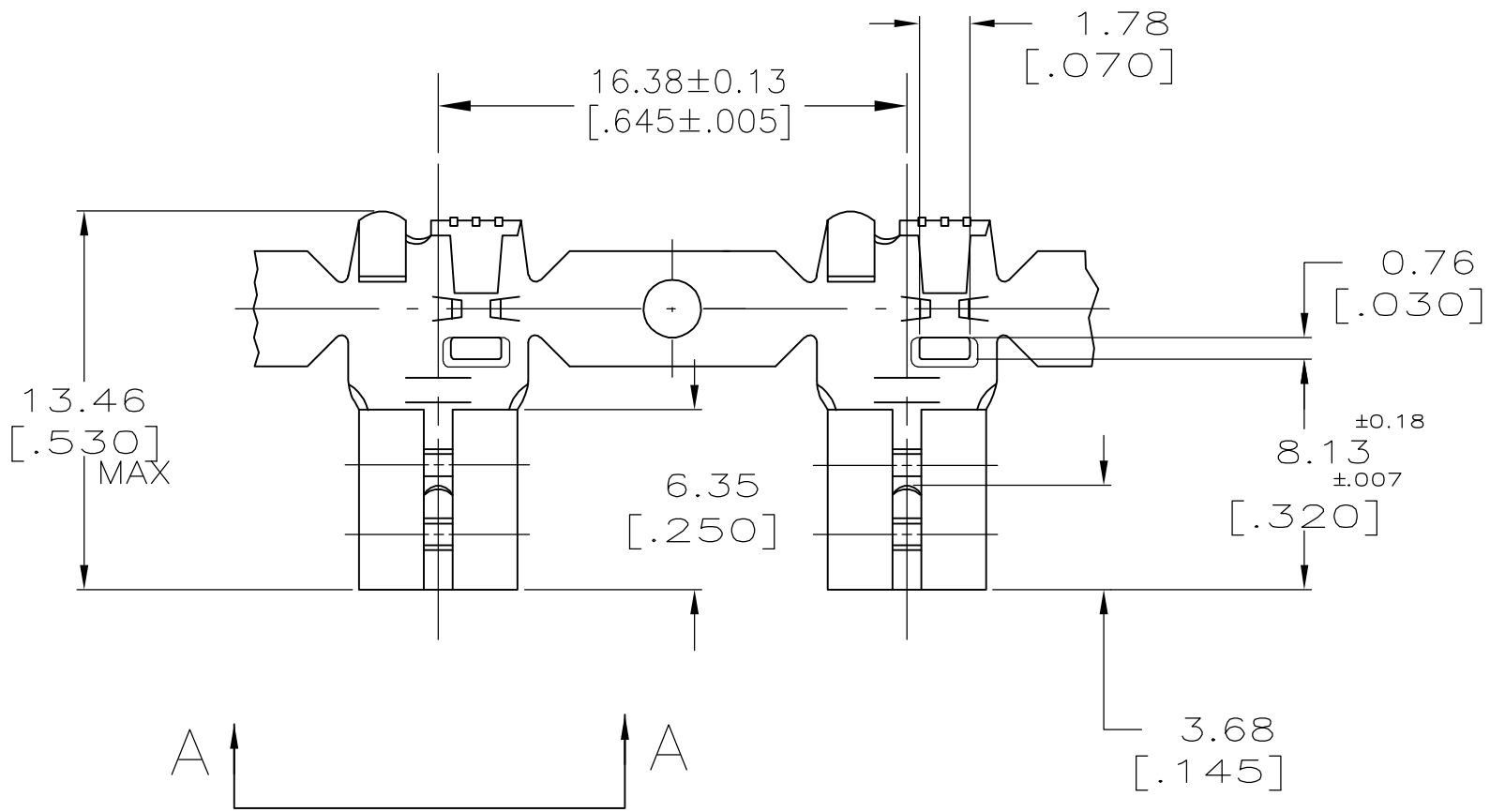
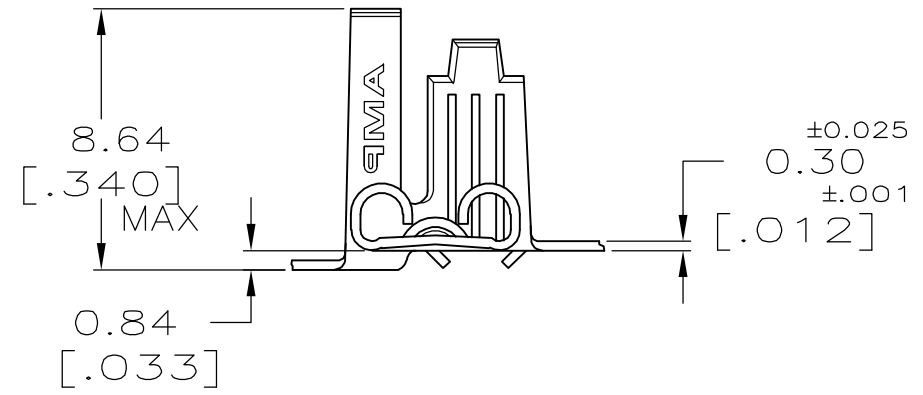
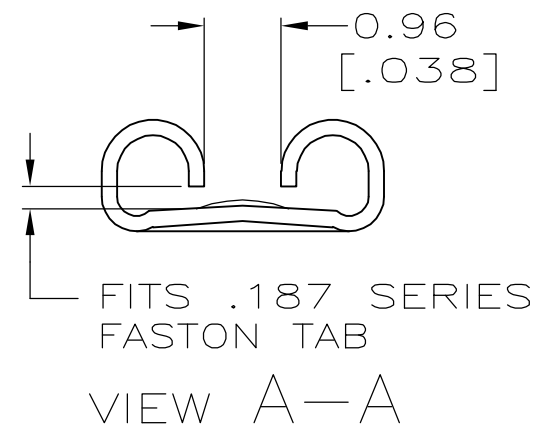


THIS DRAWING IS UNPUBLISHED. RELEASED FOR PUBLICATION
 © COPYRIGHT - BY TYCO ELECTRONICS CORPORATION. ALL RIGHTS RESERVED.

LOC	DIST	REVISIONS					
		P	LTR	DESCRIPTION	DATE	DWN	APVD
AF	50		H1	REV PER ECR 06-028943	13DEC06	JR	PD



- 1 CONTINUOUS STRIP ON REELS
- 2 TIN PLATE 0.002032 [.000080] MIN THK.
- 3 SILVER PL 0.00381 [.000150] MIN THK.
- 4 WIRE SIZE IS 0.5-1.4mm [20-16] AWG
- 5 INSULATION RANGE IS 2.79-4.32 [.110-.170] DIA.
- 6 MATING TAB THK IS 0.81±0.025 [.032±.001].



3	62591-2
2	62591-1
FINISH	PART NO

THIS DRAWING IS A CONTROLLED DOCUMENT.		DWN	JR RUTH	7/23/91	Tyco Electronics Corporation Harrisburg, PA 17105-3608		
DIMENSIONS: INCHES		CHK	MS FEHER	7/23/91			
TOLERANCES UNLESS OTHERWISE SPECIFIED:		APVD	D REINER	7/23/91	RECEPTACLE, FASTON, 4.75 [.187] SERIES		
0 PLC	± -	PRODUCT SPEC	-				
1 PLC	± -	APPLICATION SPEC	-				
2 PLC	± 0.38 [.015]	WEIGHT	-				
3 PLC	± -	SIZE	A3	CAGE CODE	00779	DRAWING NO	C-62591
4 PLC	± -	MATERIAL	H04 BRASS		RESTRICTED TO	-	
ANGLES	± -	FINISH	SEE TABLE		SCALE	4:1	SHEET 1 OF 1
CUSTOMER DRAWING					REV	H1	