

63664-1 ✓ ACTIVE

MAG-MATE

TE Internal #: 63664-1

Magnet Wire Terminals, Tab, Mating Tab Width .188 in [4.78 mm],

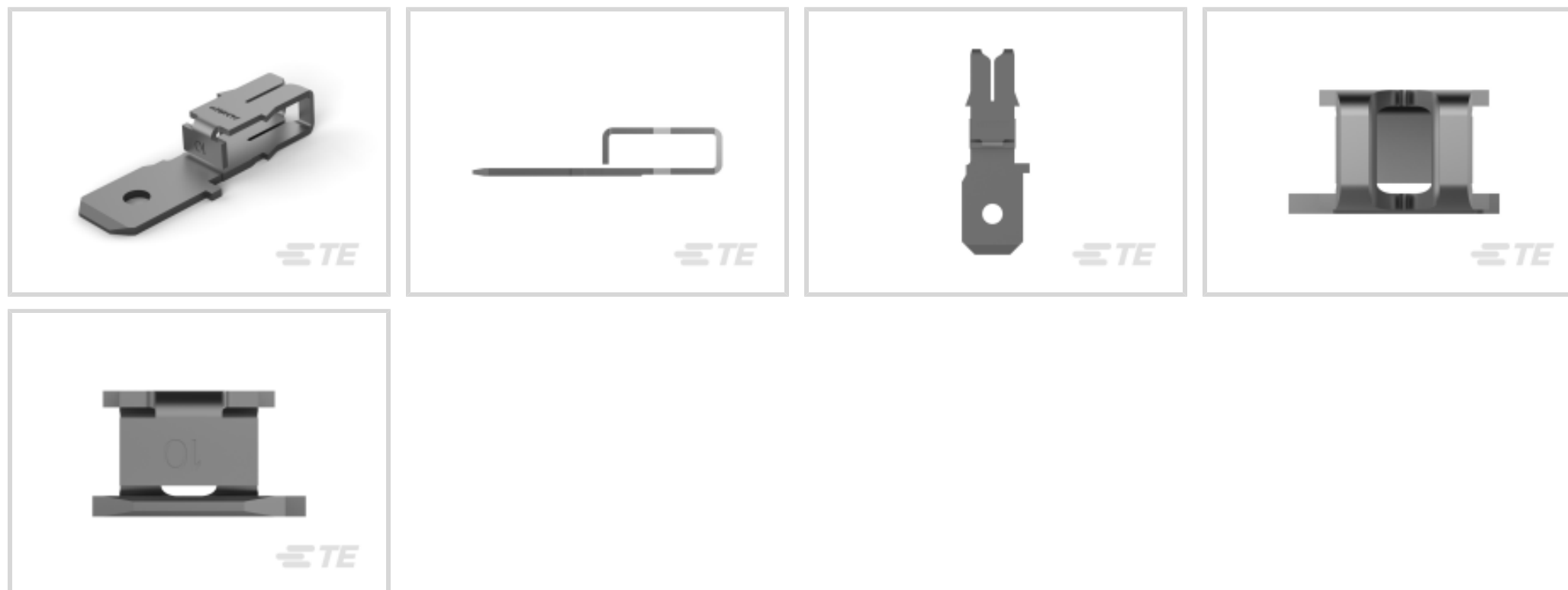
Size 2, .36 – .57 mm Magnet Wire, 27 – 23 AWG Magnet Wire,

MAG-MATE

[View on TE.com >](#)



Terminals & Splices > Magnet Wire Terminals



Magnet Wire Terminal Type: **Tab**

Mating Tab Width: **4.78 mm [.188 in]**

Mating Tab Thickness: **.51 mm [.02 in]**

Compatible With Cavity Size: **Size 2**

Magnet Wire Size: **.36 – .57 mm**

Features

Product Type Features

Compatible With Discrete Wire Type	Magnet Wire, Solid
Sealable	No

Body Features

Compatible With Cavity Size	Size 2
-----------------------------	--------

Contact Features

Magnet Wire Terminal Type	Tab
Mating Tab Width	4.78 mm[.188 in]
Mating Tab Thickness	.51 mm[.02 in]
Terminal Plating Material	Tin
Terminal Orientation	Straight

Termination Features

Termination Method to Wire & Cable	Insulation Displacement (IDC)
------------------------------------	-------------------------------

Mechanical Attachment



Contact Mating Retention Type	Hole
-------------------------------	------

Dimensions

Terminal Height	7.62 mm[.3 in]
Magnet Wire Size	27 – 23 AWG
Stock Thickness (Magnet Wire Side)	.41 mm[.016 in]
Overall Product Length	16 mm[.63 in]

Usage Conditions

Insulation Option	Uninsulated
Operating Temperature Range	-65 – 150 °C[-85 – 302 °F]

Operation/Application

Compatible With Wire Base Material	Aluminum, Copper
------------------------------------	------------------

Identification Marking

Identification Number	10
-----------------------	----

Packaging Features

Packaging Quantity	12000
Packaging Method	Reel, Reel/Carton

Other

Comment	After insertion into plastic cavity, tab portion must be bent over 45°-90° or potted in to prevent pullout when mating receptacle is disconnected., Two magnet wires may be terminated in the same terminal slot if diameters are equal., Varnish resist coating.
---------	---

Product Compliance

[For compliance documentation, visit the product page on TE.com>](#)

EU RoHS Directive 2011/65/EU	Compliant
EU ELV Directive 2000/53/EC	Compliant
China RoHS 2 Directive MIIT Order No 32, 2016	No Restricted Materials Above Threshold
EU REACH Regulation (EC) No. 1907/2006	Current ECHA Candidate List: JUNE 2022 (224) Candidate List Declared Against: JAN 2022 (223) SVHC > Threshold: Not Yet Reviewed

Halogen Content

Low Halogen - Br, Cl, F, I < 900 ppm per homogenous material. Also BFR/CFR/PVC Free

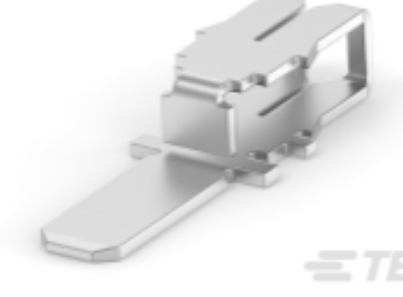
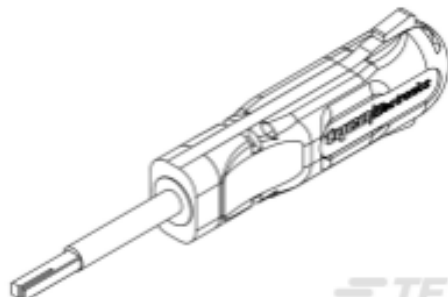
Solder Process Capability

Not applicable for solder process capability

Product Compliance Disclaimer

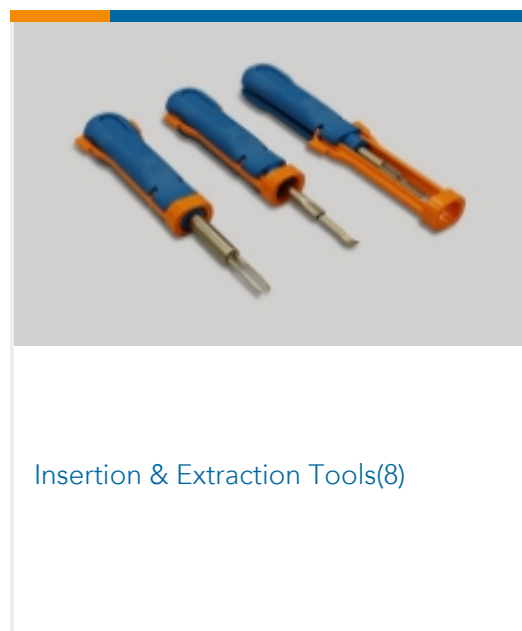
This information is provided based on reasonable inquiry of our suppliers and represents our current actual knowledge based on the information they provided. This information is subject to change. The part numbers that TE has identified as EU RoHS compliant have a maximum concentration of 0.1% by weight in homogenous materials for lead, hexavalent chromium, mercury, PBB, PBDE, DBP, BBP, DEHP, DIBP, and 0.01% for cadmium, or qualify for an exemption to these limits as defined in the Annexes of Directive 2011/65/EU (RoHS2). Finished electrical and electronic equipment products will be CE marked as required by Directive 2011/65/EU. Components may not be CE marked. Additionally, the part numbers that TE has identified as EU ELV compliant have a maximum concentration of 0.1% by weight in homogenous materials for lead, hexavalent chromium, and mercury, and 0.01% for cadmium, or qualify for an exemption to these limits as defined in the Annexes of Directive 2000/53/EC (ELV). Regarding the REACH Regulation, the information TE provides on SVHC in articles for this part number is based on the latest European Chemicals Agency (ECHA) 'Guidance on requirements for substances in articles' posted at this URL: <https://echa.europa.eu/guidance-documents/guidance-on-reach>

Compatible Parts

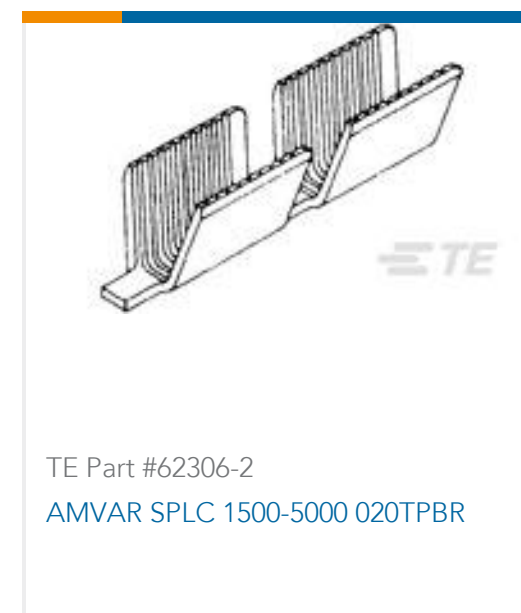
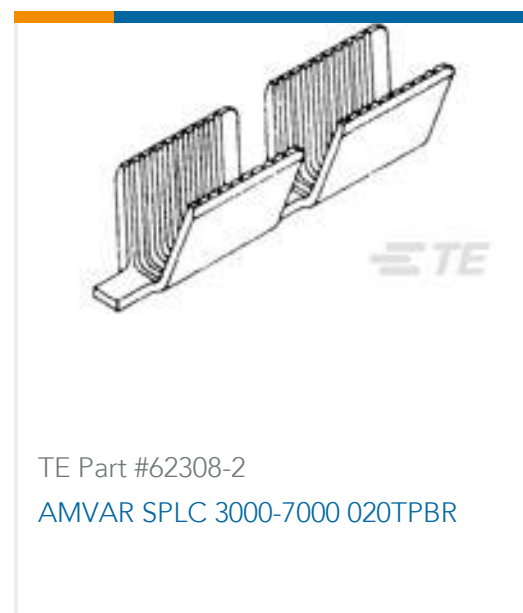
 <p>TE Part # 1217243-1 TAB, 187 FASTON, MAG-MATE</p>	 <p>TE Part # 63668-1 MAG-MATE 187 F-TAB TPBR</p>	 <p>TE Part # 62514-1 MAG-MATE 27-23 187 F TAB TPBR</p>	 <p>TE Part # 63585-1 MAG-MATE 27-23 187 F TAB TPBR</p>
 <p>TE Part # 62514-2 MAG-MATE 27-23 187 F TAB TPBR</p>	 <p>TE Part # 63669-1 MAG-MATE 187 F-TAB TPBR</p>	 <p>TE Part # 63713-2 TAB,187 MAG-MATE SLIM LN 082 B</p>	 <p>TE Part # 63973-1 MAG-MATE 118 TAB TPBR</p>
 <p>TE Part # 63827-1 TERMINAL, MAG-MATE F-TAB TPBR</p>	 <p>TE Part # 1-1579018-9 INSERTION TOOL</p>	 <p>TE Part # 63256-1 MAG-MATE 187 FAST TAB 0198TPBR</p>	 <p>TE Part # 63441-1 MAG-MATE 110 F TAB 32-34 TPBR</p>



Also in the Series | MAG-MATE



Customers Also Bought



Documents

[CAD Files](#)

[3D PDF](#)

[3D](#)

[Customer View Model](#)

[ENG_CVM_CVM_63664-1_J.2d_dxf.zip](#)

English



Customer View Model

[ENG_CVM_CVM_63664-1_J.3d_igs.zip](#)

English

Customer View Model

[ENG_CVM_CVM_63664-1_J.3d_stp.zip](#)

English

By downloading the CAD file I accept and agree to the [Terms and Conditions](#) of use.

Datasheets & Catalog Pages

[Magnet Wire Terminals & Splices](#)

English

Product Specifications

[Application Specification](#)

English

Product Environmental Compliance

[Product Compliance](#)

English

[Product Compliance](#)

English