

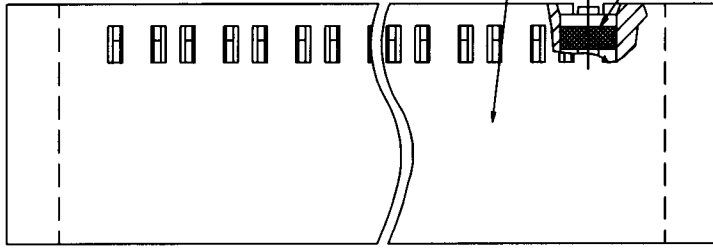
Tous droits strictement reserves. Reproduction ou communication a des tiers interdite sous quelque forme que ce soit sans autorisation ecrite du proprietaire. Propriete de ©BERG ELECTRONICS. Droits de reproduction BERG ELECTRONICS INC.

All rights strictly reserved. Reproduction or issue to third parties in any form whatever is not permitted without written authority from the proprietor. Property of ©BERG ELECTRONICS Copyright BERG ELECTRONICS INC.

PRODUCT NO.
SEE TABLE

SEE NOTE 3

OPTIONAL INSULATION
PLUG

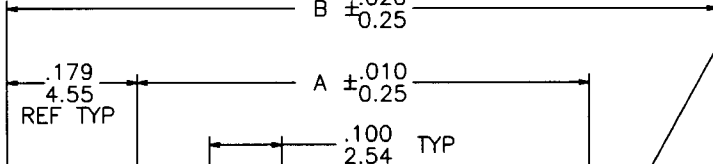


.046 SQUARE CONTACT
1.17 OPENING TYP

R .072 +.003
1.83 -.002 TYP
+0.08
-0.05

LENGTH

B ±.020
0.25



.179 REF TYP
4.55

A ±.010
0.25

.100 TYP
2.54

WIDTH

.33
8.4

HEIGHT

.24
6.1

OPTIONAL INSULATION
PLUG

SEE TABLE

90° ±5°
TYP

.310 REF
7.87 AT BOTTOM OF HOUSING

.115±.010
2.92±0.25 TAIL LENGTH

.1190
3.020

PRINTED CIRCUIT
BOARD

60° TYP

90° REF TYP

.015 REF
0.38

.100
2.54

.069
1.75

mat'l. code				tolerances unless otherwise specified				CUSTOMER COPY		BERG ELECTRONICS	
ltr	ecn no	dr	date	linear	.XX ±.01			projection	title		
M	V50993	LSS	8/30/95		.XXX ±.005				GUIDE PIN CARD CONNECTOR		
N	V61633	EPK	9/17/90	angles	.XXXX ±.0020			INCH/MM	product family PV CARD CONNECTOR		code
P	V70994	JM	10/19/97		0° ±2°				size dwg no		—
				dr	M.FETROW	7/17/90	scale	A		66527	sheet
				engr	M.HAHN	7/17/90		4:1			1 of 8
				chr	M.HAHN	7/17/90					
				appd	M.HAHN	7/17/90					
sheet index	revision sheet	P	N	M	M	M	M	M	M	cage code	
		1	2	3	4	5	6	7	8	22526	

Tous droits strictement reserves. Reproduction ou communication a des tiers interdite sous quelque forme que ce soit sans autorisation écrite du propriétaire. Propriete de ©BERG ELECTRONICS. Droits de reproduction BERG ELECTRONICS INC.

All rights strictly reserved. Reproduction or issue to third parties in any form whatever is not permitted without written authority from the proprietor. Property of ©BERG ELECTRONICS Copyright BERG ELECTRONICS INC.



PRODUCT NO.
SEE TABLE

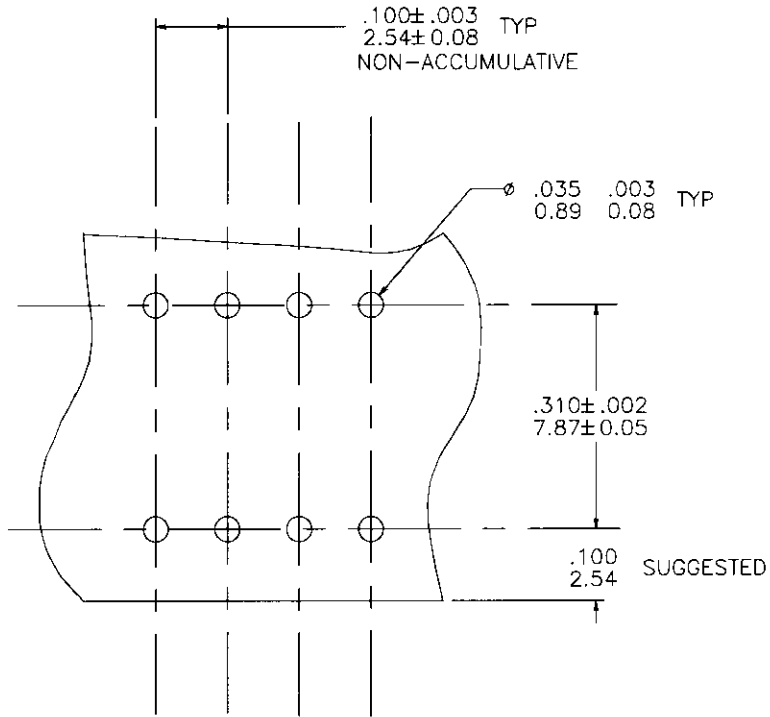


FIGURE 1

NOTES:

- HOUSING MATERIAL:
FILLED THERMOPLASTIC POLYETHERIMIDE
PER UL 94V-0
COLOR: BLACK
- TERMINAL MATERIAL:
BODY: BRASS .010/0.25 THICK
SPRING: BE-CU. HEAT TREATED
BODY PLATING DUPLEX :
30 MICROINCH/0.76 MICRON GOLD
OVER 50 MICROINCH/1.27 MICRON NICKEL
IN CONTACT AREA
SOLDER TAIL : 100u"/2.54um TIN LEAD MIN
OVER 050u"/1.27um NICKEL
SPRING PLATING: GOLD FLASH
- MARK "BERG", BERG PART NUMBER AND DATE CODE. PARTS 2 X 8 OR LESS HAVE THIS INFORMATION ON TUBE LABEL INSTEAD OF HOUSING DASH NUMBERS WITH "U" AS A FORTH DIGIT (XXXXX-XXXu0 IS UNMARKED).
- APPLICATION INFORMATION:
A. RECOMMENDED MOUNTING HOLE PATTERN IS SHOWN IN FIGURE "1"
B. ALL MATING PINS TO BE .025/.64 SQUARE ON TRUE CENTER OF GIVEN TERMINAL SPACINGS WITHIN .015/0.38 DIA.
C. SUGGESTED MATING PIN LENGTH .350 ± .020/8.89 ± 0.51
- MARK IN .060/1.52 HIGH LETTERS.(CONTRASTING COLORS) - 9113 4445
BERG XXXX
DATE CODE
- .003/0.08 THICK TERMINAL SPRING.

mat'l. code				tolerances unless otherwise specified			CUSTOMER COPY		BERG ELECTRONICS		
ltr	ecn no	dr	date	linear	.XX ± .01/.3		projection	title			
N					.XXX ± .005/.13			INCH/MM	GUIDE PIN CARD CONNECTOR		
					.XXXX ± .0020/.051				product family	PV CARD CONNECTOR	code
				angles	0° ± 2'		scale	size	dwg no	sheet	
				dr	M.FETROW	7/17/90	4:1	A	66527	2 of	
				enrg	M.HAHN	7/17/90					
				chr	M.HAHN	7/17/90					
				appd	M.HAHN	7/17/90					
sheet	revision										
index	sheet	1									

Tous droits strictement réservés. Reproduction ou communication à des tiers interdite sous quelque forme que ce soit sans autorisation écrite du propriétaire. Propriété de © BERG ELECTRONICS. Droits de reproduction BERG ELECTRONICS INC.



All rights strictly reserved. Reproduction or issue to third parties in any form whatever is not permitted without written authority from the proprietor. Property of © BERG ELECTRONICS Copyright BERG ELECTRONICS INC.

PRODUCT NO.	NO. OF POS.	A DIM	B DIM	INSUL. PLUG	SPECIAL
66527-001			UNAVAILABLE		
002	2X2	100/2.54	158/11.63	ND	
003	2X3	200/5.00	558/14.17		
004	2X4	300/7.62	658/16.71		
-005	2X5	.400/10.16	.758/19.25		
-006	2X6	.500/12.70	.858/21.79		
-007	2X7	.600/15.24	.958/24.33		
-008	2X8	.700/17.78	1.058/26.87		
-009	2X9	.800/20.32	1.158/29.41		
-010	2X10	.900/22.86	1.258/31.95		
-011	2X11	1.000/25.4	1.358/34.49		
-012	2X12	1.100/27.94	1.458/37.03		
-013	2X13	1.200/30.48	1.558/39.57		
-014	2X14	1.300/33.02	1.658/42.11		
-015	2X15	1.400/35.56	1.758/44.65		
-016	2X16	1.500/38.10	1.858/47.19		
-017	2X17	1.600/40.64	1.958/49.73		
-018	2X18	1.700/43.18	2.058/52.27		
-019	2X19	1.800/45.72	2.158/54.81		
-020	2X20	1.900/48.26	2.258/57.35		
-021	2X21	2.000/50.80	2.358/59.89		
-022	2X22	2.100/53.34	2.458/62.43		
-023	2X23	2.200/55.88	2.558/64.97		
-024	2X24	2.300/58.42	2.658/67.51		
-025	2X25	2.400/60.96	2.758/70.05		
-026	2X26	2.500/63.50	2.858/72.59		
-027	2X27	2.600/66.04	2.958/75.13		
-028	2X28	2.700/68.58	3.058/77.67		
-029	2X29	2.800/71.12	3.158/80.21		
-030	2X30	2.900/73.66	3.258/82.75		
-031	2X31	3.000/76.20	3.358/85.29		
-032	2X32	3.100/78.74	3.458/87.83		
-033	2X33	3.200/81.28	3.558/90.37		
-034	2X34	3.300/83.82	3.658/92.91		
-035	2X35	3.400/86.36	3.758/95.45		
-036	2X36	3.500/88.90	3.858/97.99		
-037	2X37	3.600/91.44	3.958/100.53		
-038	2X38	3.700/93.98	4.058/103.07		
-039	2X39	3.800/96.52	4.158/105.61		
66527-040	2X40	3.900/99.60	4.258/108.15	ND	

OBS
OBS
OBS

mat'l. code				tolerances unless otherwise specified		CUSTOMER COPY		BERG ELECTRONICS	
l/r	ecn no	dr	date	linear	.XX ± .01/3	projection	title		
M					.XXX ± .005/.13		GUIDE PIN CARD CONNECTOR		
				angles	.XXX ± .0020/.051	INCH/MM	product family PV CARD CONNECTOR		code
				dr	σ ± Z	scale	size dwg no		sheet
				engr	M.FETROW 4/23/90	1:1	A 66527		3 of
				chr	M.HANN 4/23/90				
				appd	M.HANN 4/23/90				
sheet index	revision sheet		1						

All rights strictly reserved. Reproduction or issue to third parties in any form
 whatever is not permitted without written authority from the proprietor.
 Property of ©BERG ELECTRONICS Copyright BERG ELECTRONICS INC.



Tous droits strictement reserves. Reproduction ou communication a des tiers interdite
 sous quelque forme que ce soit sans autorisation écrite du propriétaire.
 Propriete de ©BERG ELECTRONICS. Droits de reproduction BERG ELECTRONICS INC.

PRODUCT NO.	NO. OF POS.	A DIM	B DIM	INSUL. PLUG	SPECIAL
66527-041	2X41	4.000/101.60	4.358/110.69	NO	
-042	2X42	4.100/104.14	4.458/113.23		
-043	2X43	4.200/106.68	4.558/115.77		
-044	2X44	4.300/109.22	4.658/118.31		
-045	2X45	4.400/111.76	4.758/120.85		
-046	2X46	4.500/114.30	4.858/123.39		
-047	2X47	4.600/116.84	4.958/125.93		
-048	2X48	4.700/119.38	5.058/128.47		
-049	2X49	4.800/121.92	5.158/131.01		
-050	2X50	4.900/124.46	5.258/133.55		
-051	2X51	5.000/127.00	5.358/136.09		
-052	2X52	5.100/129.54	5.458/138.63		
-053	2X53	5.200/132.08	5.558/141.17		
-054	2X54	5.300/134.62	5.658/143.71		
-055	2X55	5.400/137.16	5.758/146.25		
-056	2X56	5.500/139.70	5.858/148.79		
-057	2X57	5.600/142.24	5.958/151.33		
-058	2X58	5.700/144.78	6.058/153.87		
-059	2X59	5.800/147.32	6.158/156.41		
-060	2X60	5.900/149.86	6.258/158.95		
-061	2X61	6.000/152.40	6.358/161.49		
-062	2X62	6.100/154.94	6.458/164.03		
-063	2X63	6.200/157.48	6.558/166.57		
-064	2X64	6.300/160.02	6.658/169.11		
-065	2X65	6.400/162.56	6.758/171.65		
-066	2X66	6.500/165.10	6.858/174.19		
-067	2X67	6.600/167.64	6.958/176.73		
-068	2X68	6.700/170.18	7.058/179.27		
-069	2X69	6.800/172.72	7.158/181.81		
-070	2X70	6.900/175.26	7.258/184.35		
-071	2X71	7.000/177.80	7.358/186.89		
-072	2X72	7.100/180.34	7.458/189.43		
-073	2X73	7.200/182.88	7.558/191.97		
-074	2X74	7.300/185.42	7.658/194.51		
-075	2X75	7.400/187.96	7.758/197.05		
-076	2X76	7.500/190.50	7.858/199.59		
-077	2X77	7.600/193.04	7.958/202.13		
-078	2X78	7.700/195.58	8.058/204.67		
-079	2X79	7.800/198.12	8.158/207.21		
66527-080	2X80	7.900/200.66	8.258/209.75	NO	

mat'l. code				tolerances unless otherwise specified			CUSTOMER COPY		BERG ELECTRONICS	
ltr	ecn no	dr	date	linear	.XX ± .01/.3		projection	title		
M					.XXX ± .005/.13			GUIDE PIN CARD CONNECTOR		
				angles	.XXXX ± .0020/.051		INCH/MM	product family		code
				dr	Ø ± Z			PV CARD CONNECTOR		-
				enrg	M.FETROW	7/17/90	scale	size dwg no		sheet
				chr	M.HAHN	7/17/90		A 66527		4 of
				appd	M.HAHN	7/17/90	1:1			
sheet index	revision sheet		1							

All rights strictly reserved. Reproduction or issue to third parties in any form
 whatever is not permitted without written authority from the proprietor.
 Property of ©BERG ELECTRONICS Copyright BERG ELECTRONICS INC.

BERG
 ELECTRONICS

Tous droits strictement réservés. Reproduction ou communication à des tiers interdite
 sous quelque forme que ce soit sans autorisation écrite du propriétaire.
 Propriété de ©BERG ELECTRONICS. Droits de reproduction BERG ELECTRONICS INC.

	NO. OF POS.	A DIM	B DIM	INSUL. PLUG	SPECIAL
66527-081	2X81	8.000/203.20	8.358/212.29	ND	
-082	2X82	8.100/205.74	8.458/214.83		
-083	2X83	8.200/208.28	8.558/217.37		
-084	2X84	8.300/210.82	8.658/219.91		
-085	2X85	8.400/213.36	8.758/222.45		
-086	2X86	8.500/215.90	8.858/224.99		
-087	2X87	8.600/218.44	8.958/227.53		
-088	2X88	8.700/220.98	9.058/230.07		
-089	2X89	8.800/223.52	9.158/232.61		
-090	2X90	8.900/226.06	9.258/235.15		
-091	2X91	9.000/228.60	9.358/237.69		
-092	2X92	9.100/231.14	9.458/240.23		
-093	2X93	9.200/233.68	9.558/242.77		
-094	2X94	9.300/236.22	9.658/245.31		
-095	2X95	9.400/238.76	9.758/247.85		
-096	2X96	9.500/241.30	9.858/250.39		
-097	2X97	9.600/243.84	9.958/252.93		
-098	2X98	9.700/246.38	10.058/255.47		
-099	2X99	9.800/248.92	10.158/258.01		
66527-100	2X100	9.900/251.46	10.258/260.55	ND	

mat'l. code				tolerances unless otherwise specified		CUSTOMER COPY		BERG ELECTRONICS	
ltr	ecr no	dr	date	linear	.XX ± .01/.3		projection	title	
M					.XXX ± .005/.13				GUIDE PIN CARD CONNECTOR
				angles	.XXXX ± .0020/.051		INCH/MM		product family PV CARD CONNECTOR
				dr	M.FETROW	7/17/90		scale	size
				engr	M.HAHN	7/17/90	1:1		A 66527
				chr	M.HAHN	7/17/90		code	
				appd	M.HAHN	7/17/90	5 of		
sheet	revision								
index	sheet	1							

All rights strictly reserved. Reproduction or issue to third parties in any form
 whenever is not permitted without written authority from the proprietor.
 Property of ©BERG ELECTRONICS Copyright BERG ELECTRONICS INC.

Tous droits strictement réservés. Reproduction ou communication à des tiers interdite
 sous quelque forme que ce soit sans autorisation écrite du propriétaire.
 Propriété de ©BERG ELECTRONICS. Droits de reproduction BERG ELECTRONICS INC.



PRODUCT NO.	NO. OF PDS.	A DIM	B DIM	INSUL. PLUG	SPECIAL
66527-501		UNAVAILABLE			
-502	2X2	.100/2.54	.450/11.63	YES	
-503	2X3	.200/5.08	.550/14.17		
-504	2X4	.300/7.62	.650/16.71		
-505	2X5	.400/10.16	.750/19.25		
-506	2X6	.500/12.70	.850/21.79		
-507	2X7	.600/15.24	.950/24.33		
-508	2X8	.700/17.78	1.050/26.87		
-509	2X9	.800/20.32	1.150/29.41		
-510	2X10	.900/22.86	1.250/31.95		
-511	2X11	1.000/25.4	1.350/34.49		
-512	2X12	1.100/27.94	1.450/37.03		
-513	2X13	1.200/30.48	1.550/39.57		
-514	2X14	1.300/33.02	1.650/42.11		
-515	2X15	1.400/35.56	1.750/44.65		
-516	2X16	1.500/38.10	1.850/47.19		
-517	2X17	1.600/40.64	1.950/49.73		
-518	2X18	1.700/43.18	2.050/52.27		
-519	2X19	1.800/45.72	2.150/54.81		
-520	2X20	1.900/48.26	2.250/57.35		
-521	2X21	2.000/50.80	2.350/59.89		
-522	2X22	2.100/53.34	2.450/62.43		
-523	2X23	2.200/55.88	2.550/64.97		
-524	2X24	2.300/58.42	2.650/67.51		
-525	2X25	2.400/60.96	2.750/70.05		
-526	2X26	2.500/63.50	2.850/72.59		
-527	2X27	2.600/66.04	2.950/75.13		
-528	2X28	2.700/68.58	3.050/77.67		
-529	2X29	2.800/71.12	3.150/80.21		
-530	2X30	2.900/73.66	3.250/82.75		
-531	2X31	3.000/76.20	3.350/85.29		
-532	2X32	3.100/78.74	3.450/87.83		
-533	2X33	3.200/81.28	3.550/90.37		
-534	2X34	3.300/83.82	3.650/92.91		
-535	2X35	3.400/86.36	3.750/95.45		
-536	2X36	3.500/88.90	3.850/97.99		
-537	2X37	3.600/91.44	3.950/100.53		
-538	2X38	3.700/93.98	4.050/103.07		
-539	2X39	3.800/96.52	4.150/105.61		
66527-540	2X40	3.900/99.60	4.250/108.15	YES	

OBS
OBS
OBS

mat'l. code		tolerances unless otherwise specified		CUSTOMER COPY		BERG ELECTRONICS	
ltr	ecn no	dr	date	linear	.XX ±.01/.3	projection	title
M					.00X ±.005/.13		GUIDE PIN CARD CONNECTOR
				angles	.00XX ±.0020/.051		
				dr	MJFETROW 7/17/90	INCH/MM	product family PV CARD CONNECTOR
				engr	MJHANN 7/17/90	scale	size/dwg no
				chr	MJHANN 7/17/90	1:1	A 66527
				appd	MJHANN 7/17/90		code - sheet 6 of
sheet index	revision sheet	1					

Tous droits strictement réservés. Reproduction ou communication o des tiers interdite sous quelque forme que ce soit sans autorisation écrite du propriétaire. Propriété de ©BERG ELECTRONICS. Droits de reproduction BERG ELECTRONICS INC.



All rights strictly reserved. Reproduction or issue to third parties in any form whatever is not permitted without written authority from the proprietor. Property of ©BERG ELECTRONICS Copyright BERG ELECTRONICS INC.

	NO. OF PDS.	A DIM	B DIM	INSUL. PLUG	SPECIAL
66527-541	2X41	4.000/101.60	4.358/110.69	YES	
-542	2X42	4.100/104.14	4.458/113.23		
-543	2X43	4.200/106.68	4.558/115.77		
-544	2X44	4.300/109.22	4.658/118.31		
-545	2X45	4.400/111.76	4.758/120.85		
-546	2X46	4.500/114.30	4.858/123.39		
-547	2X47	4.600/116.84	4.958/125.93		
-548	2X48	4.700/119.38	5.058/128.47		
-549	2X49	4.800/121.92	5.158/131.01		
-550	2X50	4.900/124.46	5.258/133.55		
-551	2X51	5.000/127.00	5.358/136.09		
-552	2X52	5.100/129.54	5.458/138.63		
-553	2X53	5.200/132.08	5.558/141.17		
-554	2X54	5.300/134.62	5.658/143.71		
-555	2X55	5.400/137.16	5.758/146.25		
-556	2X56	5.500/139.70	5.858/148.79		
-557	2X57	5.600/142.24	5.958/151.33		
-558	2X58	5.700/144.78	6.058/153.87		
-559	2X59	5.800/147.32	6.158/156.41		
-560	2X60	5.900/149.86	6.258/158.95		
-561	2X61	6.000/152.40	6.358/161.49		
-562	2X62	6.100/154.94	6.458/164.03		
-563	2X63	6.200/157.48	6.558/166.57		
-564	2X64	6.300/160.02	6.658/169.11		
-565	2X65	6.400/162.56	6.758/171.65		
-566	2X66	6.500/165.10	6.858/174.19		
-567	2X67	6.600/167.64	6.958/176.73		
-568	2X68	6.700/170.18	7.058/179.27		
-569	2X69	6.800/172.72	7.158/181.81		
-570	2X70	6.900/175.26	7.258/184.35		
-571	2X71	7.000/177.80	7.358/186.89		
-572	2X72	7.100/180.34	7.458/189.43		
-573	2X73	7.200/182.88	7.558/191.97		
-574	2X74	7.300/185.42	7.658/194.51		
-575	2X75	7.400/187.96	7.758/197.05		
-576	2X76	7.500/190.50	7.858/199.59		
-577	2X77	7.600/193.04	7.958/202.13		
-578	2X78	7.700/195.58	8.058/204.67		
-579	2X79	7.800/198.12	8.158/207.21		
66527-580	2X80	7.900/200.66	8.258/209.75	YES	

mat'l. code				tolerances unless otherwise specified		CUSTOMER COPY		BERG ELECTRONICS	
ltr	ecn no	dr	date	linear	.XX ± .01/.3	projection	title		
M					.XXX ± .005/.13		GUIDE PIN CARD CONNECTOR		
				angles	.XXX ± .0020/.051				
				dr	M.PETROW 7/17/90	INCH/MM	product family	PN CARD CONNECTOR	code
				enqr	M.HANN 7/17/90	scale	size	dwg no	sheet
				chr	M.HANN 7/17/90	1:1	A	66527	7 of
				appd	M.HANN 7/17/90				
sheet index	revision sheet	1							

All rights strictly reserved. Reproduction or issue to third parties in any form
 whatever is not permitted without written authority from the proprietor.
 Property of ©BERG ELECTRONICS Copyright BERG ELECTRONICS INC.

BERG
 ELECTRONICS

Tous droits strictement réservés. Reproduction ou communication à des tiers interdite
 sous quelque forme que ce soit sans autorisation écrite du propriétaire.
 Propriété de ©BERG ELECTRONICS. Droits de reproduction BERG ELECTRONICS INC.

PRODUCT NO.	NO. OF POS.	A DIM	B DIM	INSUL. PLUG	SPECIAL
66527-581	2X81	8.000/203.20	8.358/212.29	YES	
-582	2X82	8.100/205.74	8.458/214.83		
-583	2X83	8.200/208.28	8.558/217.37		
-584	2X84	8.300/210.82	8.658/219.91		
-585	2X85	8.400/213.36	8.758/222.45		
-586	2X86	8.500/215.90	8.858/224.99		
-587	2X87	8.600/218.44	8.958/227.53		
-588	2X88	8.700/220.98	9.058/230.07		
-589	2X89	8.800/223.52	9.158/232.61		
-590	2X90	8.900/226.06	9.258/235.15		
-591	2X91	9.000/228.60	9.358/237.69		
-592	2X92	9.100/231.14	9.458/240.23		
-593	2X93	9.200/233.68	9.558/242.77		
-594	2X94	9.300/236.22	9.658/245.31		
-595	2X95	9.400/238.76	9.758/247.85		
-596	2X96	9.500/241.30	9.858/250.39		
-597	2X97	9.600/243.84	9.958/252.93		
-598	2X98	9.700/246.38	10.058/255.47		
-599	2X99	9.800/248.92	10.158/258.01		
-600	2X100	9.900/251.46	10.258/260.55	YES	
-800	2X50	4.900/124.46	5.258/133.55	NO	SEE NOTE ⑤
-801	2X30	2.900/73.66	3.258/82.75	NO	SEE NOTE 6
-802	2X40	3.900/99.066	4.258/108.15	NO	SEE NOTE 6
66527-803	2X25	2.400/60.96	2.758/70.05	YES	SEE NOTE 6

mat'l. code		tolerances unless otherwise specified		CUSTOMER COPY	BERG ELECTRONICS
ltr	ecn no	dr	date	linear	projection
M					
				angles	INCH/MM
				dr	M.FETROW 7/17/90
				engr	M.HARR 7/17/90
				chr	M.HARR 7/17/90
				appd	M.HARR 7/17/90
sheet	revision			scale	1:1
index	sheet	1			
title					product family
GUIDE PIN CARD CONNECTOR					PV CARD CONNECTOR
size					code
A 66527					-
sheet					8 of
cage code					
22526					