

MTA 156

TE Internal #: 643067-3

PCB Connector Covers, Strain Relief Covers, 3 Position, .156 in [3.96 mm] Centerline, Nylon, Standard Product Profile, MTA 156

[View on TE.com >](#)

Connectors > PCB Connectors > PCB Connector Accessories > Protection & Strain Relief > PCB Connector Covers

Protection & Strain Relief Accessory Type: **Strain Relief Covers**Number of Positions: **3**Centerline (Pitch): **3.96 mm [.156 in]**Primary Product Material: **Nylon**Product Profile: **Standard****Features****Product Type Features**

Protection & Strain Relief Accessory Type	Strain Relief Covers
Product Profile	Standard

Configuration Features

Number of Positions	3
---------------------	---

Body Features

Primary Product Color	White
Primary Product Material	Nylon

Housing Features

Centerline (Pitch)	3.96 mm [.156 in]
--------------------	-------------------

Usage Conditions

Compatible With IDC Installation Type Connector	Closed End
Operating Temperature Range	-55 – 105 °C[-67 – 221 °F]

Industry Standards

UL Flammability Rating	UL 94V-2
------------------------	----------



Product Compliance

[For compliance documentation, visit the product page on TE.com>](#)

EU RoHS Directive 2011/65/EU	Compliant
EU ELV Directive 2000/53/EC	Compliant
China RoHS 2 Directive MIIT Order No 32, 2016	No Restricted Materials Above Threshold
EU REACH Regulation (EC) No. 1907/2006	Current ECHA Candidate List: JUNE 2022 (224) Candidate List Declared Against: JAN 2022 (223) SVHC > Threshold: Not Yet Reviewed
Halogen Content	Low Halogen - Br, Cl, F, I < 900 ppm per homogenous material. Also BFR/CFR/PVC Free
Solder Process Capability	Not applicable for solder process capability

Product Compliance Disclaimer

This information is provided based on reasonable inquiry of our suppliers and represents our current actual knowledge based on the information they provided. This information is subject to change. The part numbers that TE has identified as EU RoHS compliant have a maximum concentration of 0.1% by weight in homogenous materials for lead, hexavalent chromium, mercury, PBB, PBDE, DBP, BBP, DEHP, DIBP, and 0.01% for cadmium, or qualify for an exemption to these limits as defined in the Annexes of Directive 2011/65/EU (RoHS2). Finished electrical and electronic equipment products will be CE marked as required by Directive 2011/65/EU. Components may not be CE marked. Additionally, the part numbers that TE has identified as EU ELV compliant have a maximum concentration of 0.1% by weight in homogenous materials for lead, hexavalent chromium, and mercury, and 0.01% for cadmium, or qualify for an exemption to these limits as defined in the Annexes of Directive 2000/53/EC (ELV). Regarding the REACH Regulation, the information TE provides on SVHC in articles for this part number is based on the latest European Chemicals Agency (ECHA) 'Guidance on requirements for substances in articles' posted at this URL: <https://echa.europa.eu/guidance-documents/guidance-on-reach>

Compatible Parts

 <p>TE Part # CAT-103156-WBHSM 3.96mm Wire-to-board housing: receptacle, with mating alignment, SL 156</p>	 <p>TE Part # 640251-3 03P SL156 HSG W/O RAMP NATL</p>	 <p>TE Part # 3-644460-3 03P MTA156 CONN ASSY 18AWG ORA</p>	 <p>TE Part # 640384-3 03P MTA156 HDR ASSY STR RND SN</p>
---	--	--	--



TE Part # 3-640429-3
03P MTA156 CONN ASSY 24AWG WHT

TE Part # 640389-3
03P MTA156 HDR ASSY SQ R/A F/L

TE Part # 3-641119-3
03P MTA156 HDR ASSY FL/ST LF

TE Part # 3-640427-3
03P MTA156 CONN ASSY 20AWG YEL

TE Part # 3-640599-3
03P MTA156 CONN ASSY 18AWG ORA

TE Part # 3-643821-3
03P MTA156 CONN ASSY 26AWG LF

TE Part # 2-647127-3
03P MTA156 SHRD HDR ASSY LF

TE Part # 3-640426-3
03P MTA156 CONN ASSY 18AWG ORA

TE Part # 3-643191-3
03P MTA156 CONN ASSY H/F 18AWG

TE Part # 3-641209-3
03P MTA156 HDR ASSY FL ST LF

TE Part # 3-643817-3
03P MTA156 CONN ASSY 18AWG ORA

TE Part # 3-641437-3
03P MTA156 PSTD CONN ASSY RED

TE Part # 3-640600-3
03P MTA156 CONN ASSY 20AWG LF

TE Part # 3-643819-3
03P MTA156 CONN ASSY 22AWG RED

TE Part # 3-640428-3
03P MTA156 CONN ASSY 22AWG RED

TE Part # 640388-3
03P MTA156 HDR ASSY RN STR F/L

Also in the Series | **MTA 156**

Insertion & Extraction Tools(1)

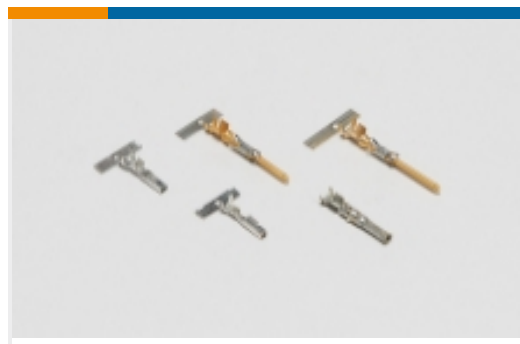
PCB Connector Covers(92)

PCB Connector Keying(2)

PCB Connector Mounting(1)



PCB Headers & Receptacles(729)



Power Contacts(3)



Rectangular Caps & Covers(1)



Rectangular Power Connectors(749)



Standard Rectangular Connectors (1309)

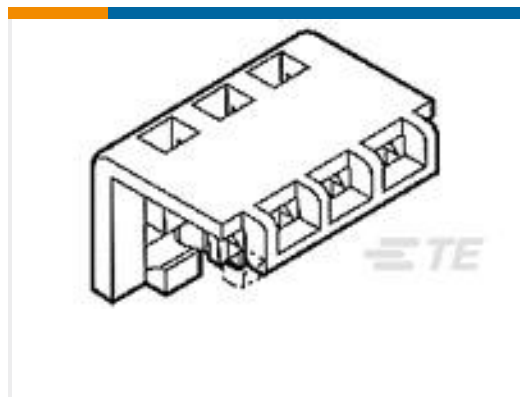


Wire-to-Board Connector Contacts(12)

Customers Also Bought



TE Part #643075-8
Nylon PCB Connector Covers: 2.54 mm, MTA 100



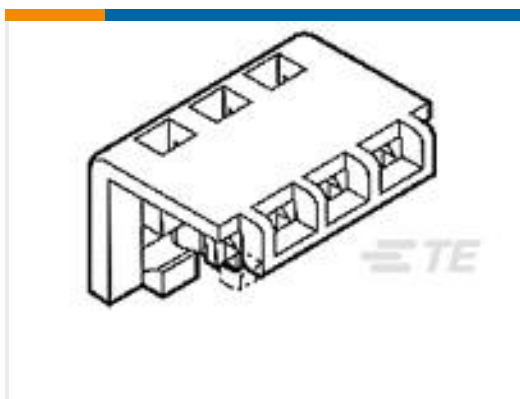
TE Part #643067-8
08P MTA156 MOLDED COVER



TE Part #3-643818-3
03P MTA156 CONN ASSY 20AWG YEL



TE Part #2-1123722-4
3.96 EP PLUG HSG 4P(YELLOW)



TE Part #643067-5
05P MTA156 MOLDED COVER



TE Part #213737-1
SIZE 8 SKT CONT ASSY,10 AWG



TE Part #1-85829-0
10 MODI HDR SRST .156CL

Documents

Product Drawings

[03P MTA156 MOLDED COVER](#)

English

CAD Files

[3D PDF](#)

[3D](#)

[Customer View Model](#)

[ENG_CVM_CVM_643067-3_P.2d_dxf.zip](#)



English

Customer View Model

[ENG_CVM_CVM_643067-3_P.3d_igs.zip](#)

English

Customer View Model

[ENG_CVM_CVM_643067-3_P.3d_stp.zip](#)

English

[3D PDF](#)

English

Customer View Model

[ENG_CVM_643067-3_G.2d_dxf.zip](#)

English

Customer View Model

[ENG_CVM_643067-3_G.3d_igs.zip](#)

English

Customer View Model

[ENG_CVM_643067-3_G.3d_stp.zip](#)

English

By downloading the CAD file I accept and agree to the [Terms and Conditions](#) of use.

Datasheets & Catalog Pages

[MTA, CST-100 II, SL-156 and AMP Economy Power \(EP\) Connectors](#)

English

Product Specifications

[Application Specification](#)

Japanese

[Application Specification](#)

English

[MTA 156 Ribbon Cable Connector Assemblies \(English And Spanish\)](#)

English

[MTA 156 Ribbon Cable Connector Assemblies \(English And Spanish\)](#)

Japanese

Product Environmental Compliance

[MD_643067-3_09192017037_dmtec](#)

English

[MD_643067-3_09192017037_dmtec](#)

English

Instruction Sheets

[Instruction Sheet \(U.S.\)](#)

English