

556136-1 ✓ ACTIVE

AMPINNERGY

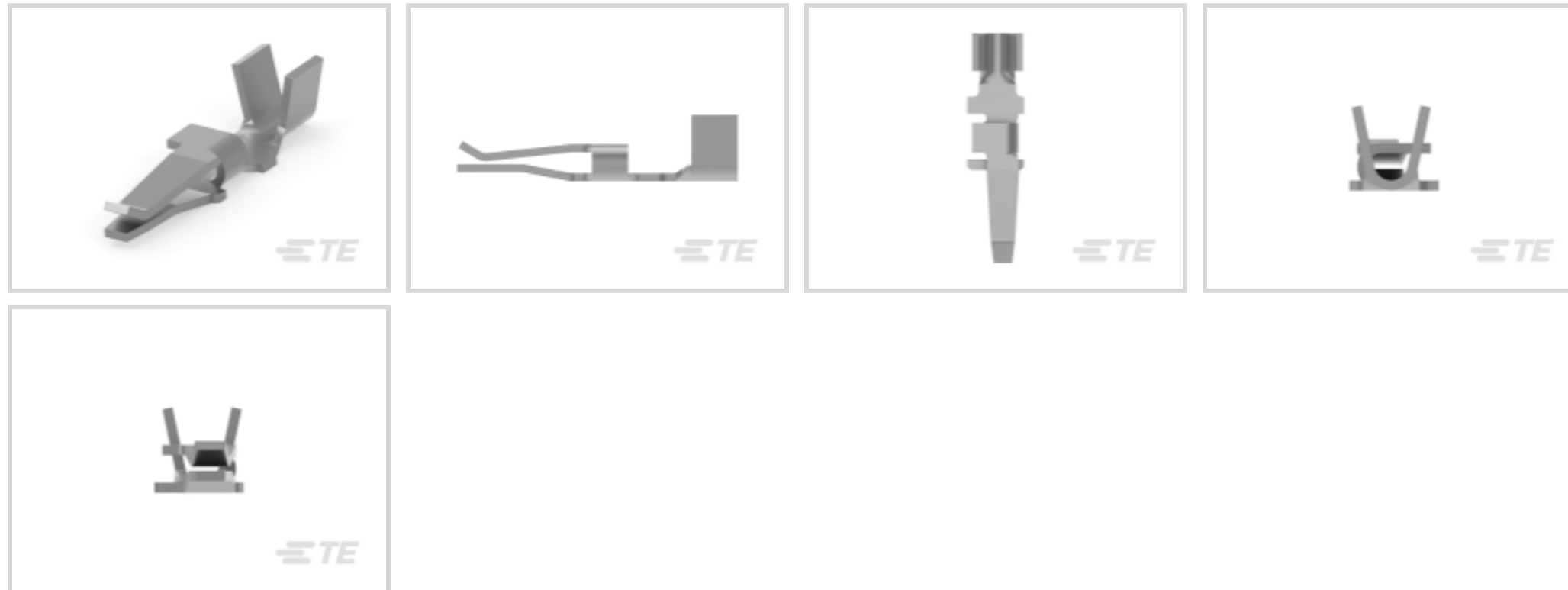
TE Internal #: 556136-1

Connector Contacts, Receptacle, Tin (Sn), Tin, 600 VAC, 600 VDC,
Wire-to-Wire, Discrete Wire, 12 – 10 AWG Wire Size, 3.31 – 5.26
mm² Wire Size

[View on TE.com >](#)



Connectors > Rectangular Connectors > Connector Contacts



Contact Type: **Receptacle**

Contact Mating Area Plating Material: **Tin (Sn)**

Wire Contact Termination Area Plating Material: **Tin**

Operating Voltage: **600 VDC**

Features

Product Type Features

Barrel Type	Crimp
Connector System	Wire-to-Wire
Connector & Contact Terminates To	Wire & Cable

Configuration Features

Compatible With Wire & Cable Type	Discrete Wire
-----------------------------------	---------------

Electrical Characteristics

Operating Voltage	600 VDC
-------------------	---------

Contact Features

Contact Termination Area Plating Thickness	2.54 µm[100 µin]
Contact Mating Area Plating Thickness	2.54 µm[100 µin]
Contact Length	27 mm[1.063 in]
Contact Type	Receptacle
Contact Mating Area Plating Material	Tin (Sn)
Wire Contact Termination Area Plating Material	Tin



Contact Retention Within Housing	Without
Contact Base Material	Copper Alloy
Contact Current Rating (Max)	55 A

Termination Features

Termination End Plating Material	Tin
Termination End Plating Thickness	2.54 µm[100 µin]
Termination Method to Wire & Cable	Crimp

Dimensions

Wire Size	6530 – 10383 CMA
-----------	------------------

Usage Conditions

Operating Temperature Range	0 – 105 °C[32 – 221 °F]
-----------------------------	-------------------------

Operation/Application

Circuit Application	Power
---------------------	-------

Industry Standards

UL Rating	Recognized
UL Flammability Rating	UL 94V-0
Agency/Standard	UL

Packaging Features

Packaging Method	Strip
Packaging Quantity	2000

Product Compliance

[For compliance documentation, visit the product page on TE.com>](#)

EU RoHS Directive 2011/65/EU	Compliant
EU ELV Directive 2000/53/EC	Compliant
China RoHS 2 Directive MIIT Order No 32, 2016	No Restricted Materials Above Threshold
EU REACH Regulation (EC) No. 1907/2006	Current ECHA Candidate List: JUNE 2022 (224) Candidate List Declared Against: JAN 2022 (223) SVHC > Threshold: Not Yet Reviewed
Halogen Content	Low Halogen - Br, Cl, F, I < 900 ppm per homogenous material. Also BFR/CFR/PVC Free

Solder Process Capability

Not applicable for solder process capability

Product Compliance Disclaimer

This information is provided based on reasonable inquiry of our suppliers and represents our current actual knowledge based on the information they provided. This information is subject to change. The part numbers that TE has identified as EU RoHS compliant have a maximum concentration of 0.1% by weight in homogenous materials for lead, hexavalent chromium, mercury, PBB, PBDE, DBP, BBP, DEHP, DIBP, and 0.01% for cadmium, or qualify for an exemption to these limits as defined in the Annexes of Directive 2011/65/EU (RoHS2). Finished electrical and electronic equipment products will be CE marked as required by Directive 2011/65/EU. Components may not be CE marked. Additionally, the part numbers that TE has identified as EU ELV compliant have a maximum concentration of 0.1% by weight in homogenous materials for lead, hexavalent chromium, and mercury, and 0.01% for cadmium, or qualify for an exemption to these limits as defined in the Annexes of Directive 2000/53/EC (ELV). Regarding the REACH Regulation, the information TE provides on SVHC in articles for this part number is based on the latest European Chemicals Agency (ECHA) 'Guidance on requirements for substances in articles' posted at this URL: <https://echa.europa.eu/guidance-documents/guidance-on-reach>

Compatible Parts



TE Part # 556136-2
CONT,AMPINNERGY WTW,LS PC,10-12



TE Part # 2-2151317-2
OCEAN_2.0_Applicator-S-180F




TE Part # 2151317-2
OCEAN_2.0_Applicator-S-180F



TE Part # 7-2151317-2
OCEAN_2.0_Applicator-S-180F



KIT
TE Part # 7-2151317-7
OCEAN_2.0_SPARE_PART_KIT-180F



TE Part # 91308-1
EXT TOOL AMP INNERGY WIRE BRD

Customers Also Bought



TE Part #499252-6
034 STRAIN RELIEF A-L RCPT



TE Part #1-1658622-0
50 NOVO MIL/CTR 30DP,LEAD FREE



TE Part #1658622-8
34 NOVO MIL/CTR 30DP,LEAD FREE



TE Part #9-1393113-9
KUEP-3D15-125=KU



TE Part #770016-1
05P UMNLI IN-LNE PLUG HSG KIT



TE Part #770004-4
UMNLI II SOK SN/AUNI/PHBZ



TE Part #6-1393127-0
PRD-11DY0-110=PRD



TE Part #66254-5
MALE TYPE XII GROUND CONTACT



TE Part #66256-4
MALE CONTACT ASSY (STRIP)



TE Part #1SNA115201R2500
M6/9.EE

Documents

Product Drawings

[CONT,AMPINRGY WTW,STRIP,10-12](#)

English

CAD Files

Customer View Model

[ENG_CVM_556136-1_A.3d_igs.zip](#)

English

Customer View Model

[ENG_CVM_556136-1_A.3d_stp.zip](#)

English

Customer View Model

[ENG_CVM_556136-1_A.2d_dxf.zip](#)

English

3D PDF

English

By downloading the CAD file I accept and agree to the [Terms and Conditions](#) of use.

Datasheets & Catalog Pages

[1654742_HOUSEHOLD_APPLIANCES_RAST5](#)

English

[POWER_CONNECTORS_CATALOG_SEC02_CABLE_MOUNTED](#)

English

Product Specifications

[Application Specification](#)

English



Product Environmental Compliance

TE Material Declaration

English

Instruction Sheets

Instruction Sheet (U.S.)

English

Inspection of AMPINNERGY System Power Contacts

English