

5750078-1 ✓ ACTIVE

AMPLIMITE | AMPLIMITE Kit

TE Internal #: 5750078-1

D-Sub Backshells & Clamps, Cable Clamp Kit, One-Piece Quick Snap, Size 3, Cable Exit Angle 180° (In-Line) / 120°, AMPLIMITE Kit

[View on TE.com >](#)



Connectors > D-Shaped Connectors > D-Sub Accessories > D-Sub Backshells & Clamps



D-Shaped Connector Accessories: **Cable Clamp Kit**

Cable Clamp Type: **One-Piece Quick Snap**

Compatible With Connector Shell Size: **3**

Shielded: **No**

Cable Insulation Diameter Range: **4.57 – 11.68 mm [.18 – .46 in]**

Features

Product Type Features

Grommets	Without
Product Type	Accessory
D-Shaped Connector Accessories	Cable Clamp Kit

Body Features

Shield Plating Material	None
Cable Clamp Material	Polypropylene
Retainer Clip Material	Stainless Steel
Color	Black
Cable Clamp Type	One-Piece Quick Snap
Cable Exit Angle	120°, 180° (In-Line)

Mechanical Attachment

Screw & Hole Thread Size	None
--------------------------	------

Dimensions

Cable Insulation Diameter Range	4.57 – 11.68 mm [.18 – .46 in]
---------------------------------	--------------------------------



Operation/Application

Compatible With Connector Shell Size	3
Shielded	No

Packaging Features

Packaging Quantity	1
Packaging Method	Kit

Other

Comment	Kit Contains: 1 Hinged Cable Clamp, 2 Self-tapping Screws, 1 Strain Relief Clip, 1 Cable Exit Gate Plug (Used to close unused exit).
---------	--

Product Compliance

[For compliance documentation, visit the product page on TE.com>](#)

EU RoHS Directive 2011/65/EU	Compliant
EU ELV Directive 2000/53/EC	Compliant
China RoHS 2 Directive MIIT Order No 32, 2016	No Restricted Materials Above Threshold
EU REACH Regulation (EC) No. 1907/2006	Current ECHA Candidate List: JUNE 2022 (224) Not Yet Reviewed
Halogen Content	Not Yet Reviewed for halogen content
Solder Process Capability	Not applicable for solder process capability

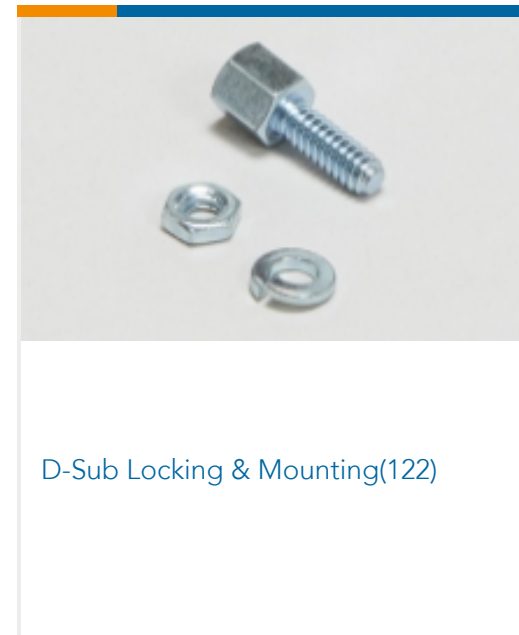
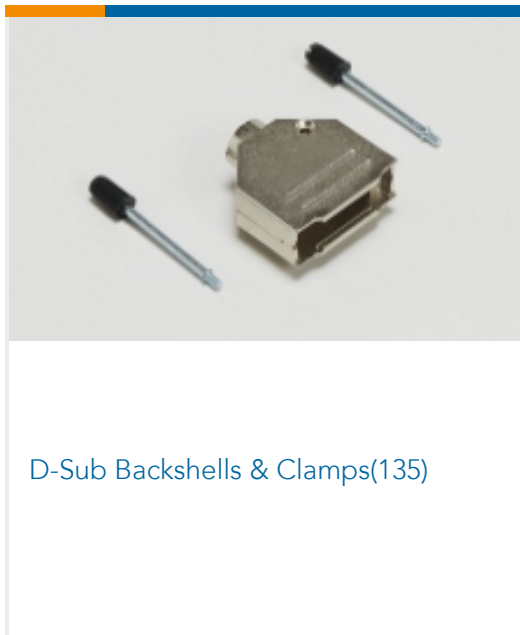
Product Compliance Disclaimer

This information is provided based on reasonable inquiry of our suppliers and represents our current actual knowledge based on the information they provided. This information is subject to change. The part numbers that TE has identified as EU RoHS compliant have a maximum concentration of 0.1% by weight in homogenous materials for lead, hexavalent chromium, mercury, PBB, PBDE, DBP, BBP, DEHP, DIBP, and 0.01% for cadmium, or qualify for an exemption to these limits as defined in the Annexes of Directive 2011/65/EU (RoHS2). Finished electrical and electronic equipment products will be CE marked as required by Directive 2011/65/EU. Components may not be CE marked. Additionally, the part numbers that TE has identified as EU ELV compliant have a maximum concentration of 0.1% by weight in homogenous materials for lead, hexavalent chromium, and mercury, and 0.01% for cadmium, or qualify for an exemption to these limits as defined in the Annexes of Directive 2000/53/EC (ELV). Regarding the REACH Regulation, the information TE provides on SVHC in articles for this part number is based on the latest European Chemicals Agency (ECHA) 'Guidance on requirements for substances in articles' posted at this URL: <https://echa.europa.eu/guidance-documents/guidance-on-reach>

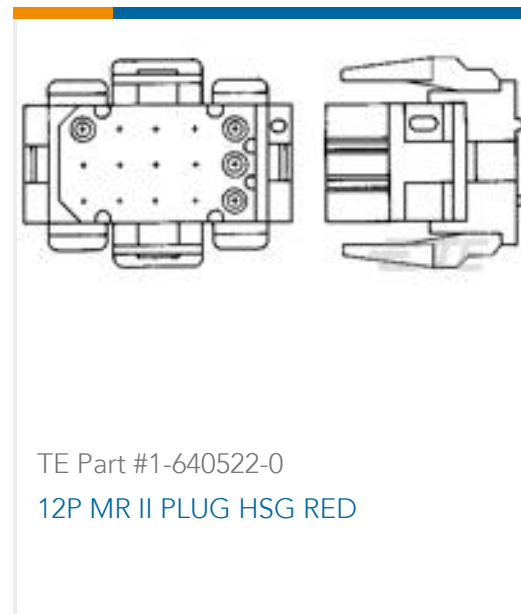
Compatible Parts



Also in the Series | AMPLIMITE Kit



Customers Also Bought



Documents

[Product Drawings](#)
[CABLE CLAMP KIT,SZ 3](#)

English

[CAD Files](#)
[3D PDF](#)
3D



Customer View Model

[ENG_CVM_CVM_5750078-1_O.2d_dxf.zip](#)

English

Customer View Model

[ENG_CVM_CVM_5750078-1_O.3d_igs.zip](#)

English

Customer View Model

[ENG_CVM_CVM_5750078-1_O.3d_stp.zip](#)

English

By downloading the CAD file I accept and agree to the [Terms and Conditions](#) of use.

Datasheets & Catalog Pages

[AMPLIMITE Subminiature D Connectors - Cable Connectors](#)

English

[AMPLIMITE Cable Connectors and Shielding Hardware Kits QRG](#)

English