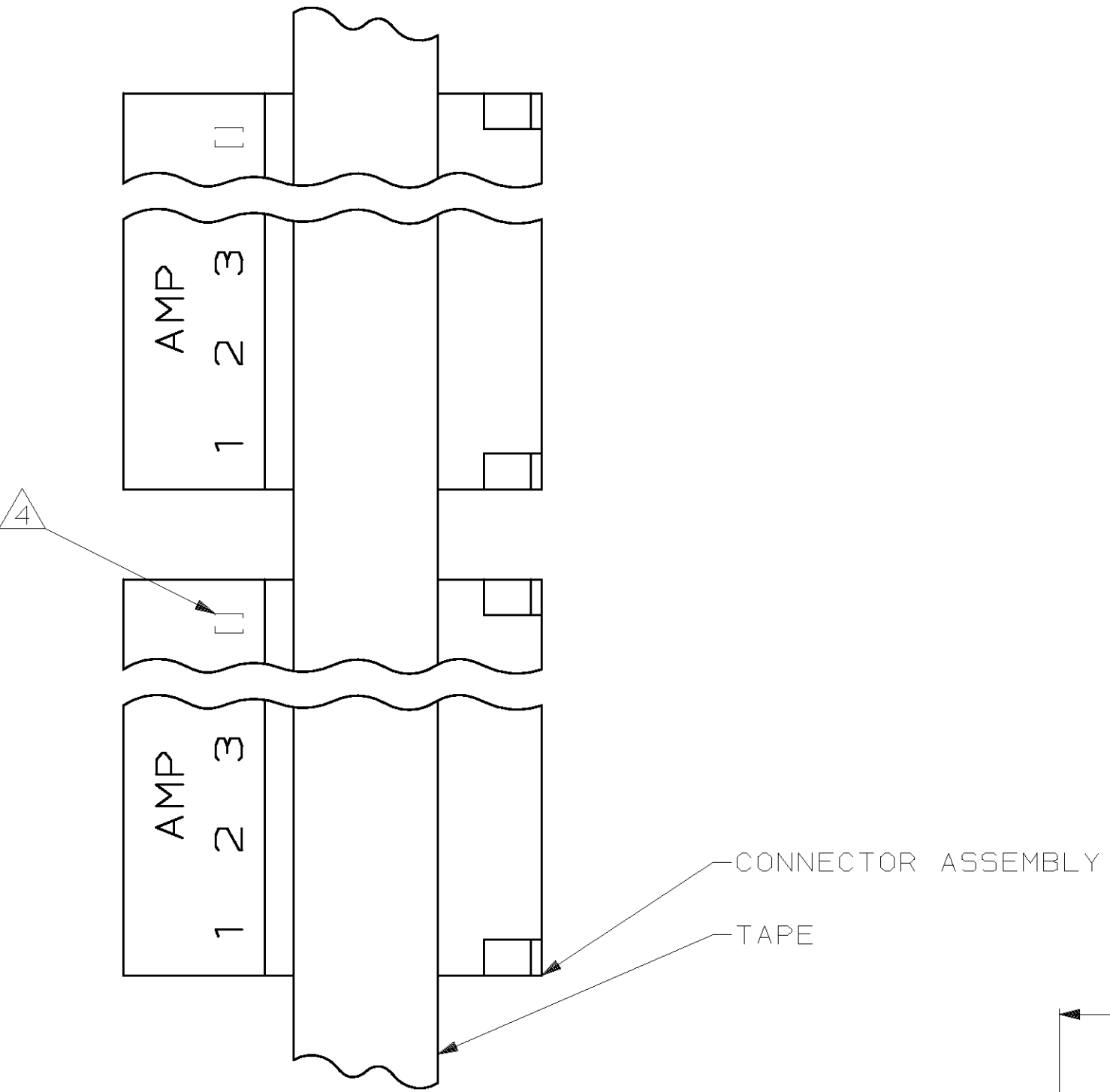
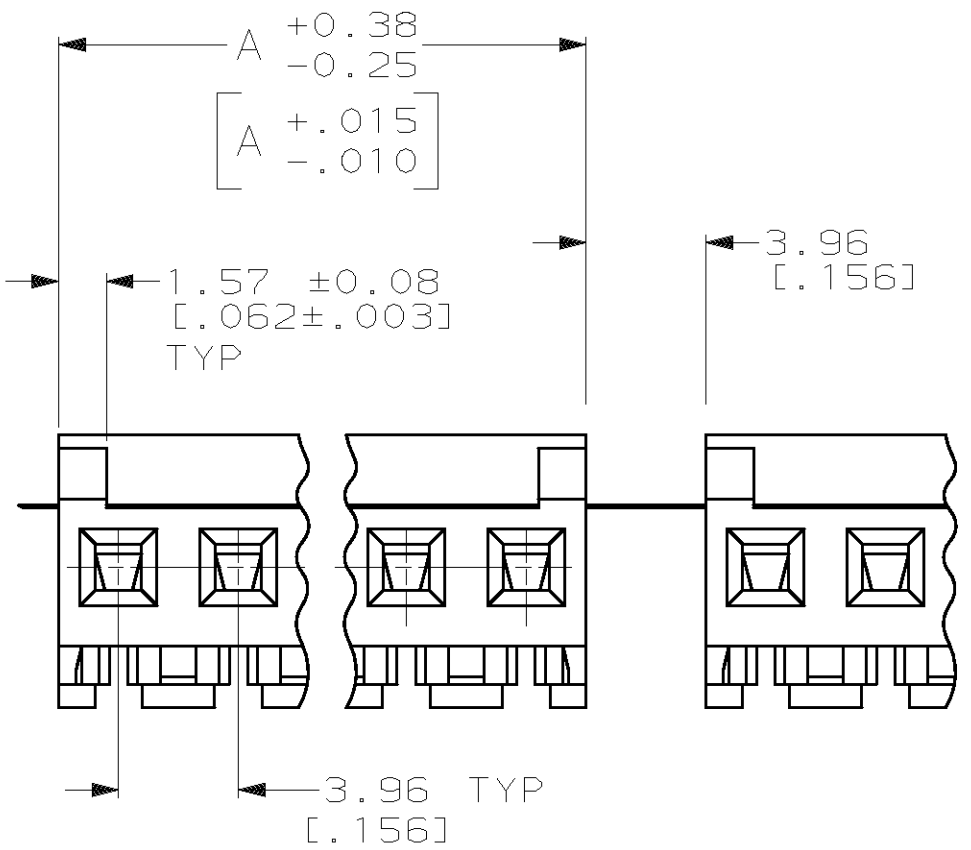
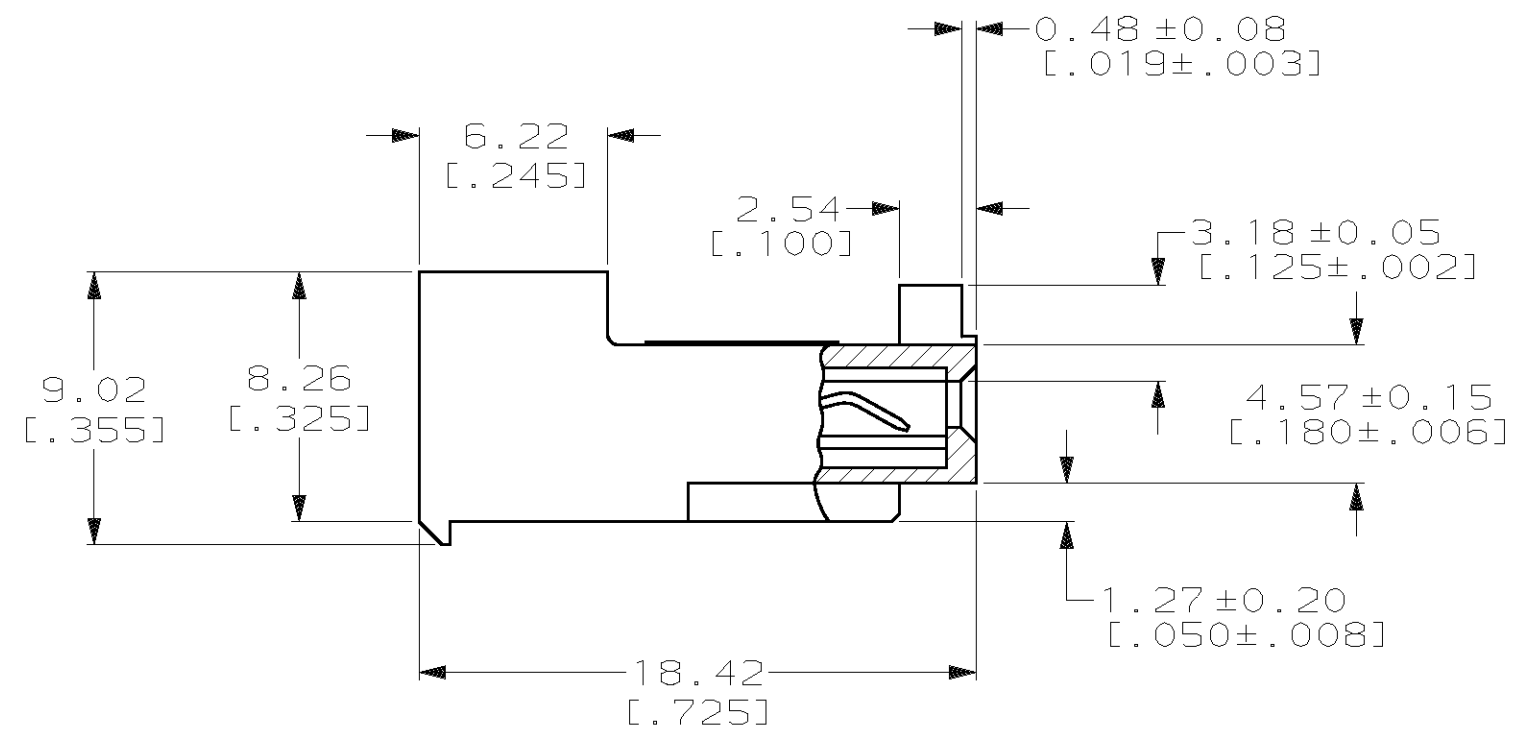


LOC		D15T		REVISIONS				
CM	54	P	F	ZONE	LTR	DESCRIPTION	DATE	APPD
				B		RLSD -3 THRU -7, -9, -11 THRU -14 PER EC 061B-0169-98	8-25-98	JH RS



- 1 MATERIAL: CONNECTOR - NYLON UL94V-2 (RED).
CONTACTS - 0.30[.012] THICK COPPER ALLOY
(BRIGHT-TIN 0.00203
[.000080] MIN THK)
- 2. CONTACTS ACCEPT 22 AWG WIRE WITH 2.41[.095] MAX INSULATION DIAMETER.
- 3. CONTACTS MUST ACCEPT 1.14±0.03[.045] POST AND REMAIN LOCKED IN POSITION.
- 4 IDENTIFICATION NUMBER FOR LAST CIRCUIT MAY NOT APPEAR ON ALL ASSEMBLIES.
- 5. DIMENSIONS IN BRACKETS ARE IN INCHES.
- 6. HOUSING FEATURES ARE: CLOSED END WITHOUT LOCKING RAMP AND WITH POLARIZING TAB.



DIM A	NO OF CIRCUITS	PART NO
55.47 [2.184]	14	1-644791-4
51.51 [2.028]	13	1-644791-3
47.55 [1.872]	12	1-644791-2
43.59 [1.716]	11	1-644791-1
39.62 [1.560]	10	1-644791-0
35.66 [1.404]	9	644791-9
31.70 [1.248]	8	644791-8
27.74 [1.092]	7	644791-7
23.77 [.936]	6	644791-6
19.81 [.780]	5	644791-5
15.85 [.624]	4	644791-4
11.89 [.468]	3	644791-3
7.92 [.312]	2	644791-2

DO NOT SCALE PRINT. UNLESS SPECIFIED DIMENSIONS IN mm [INCHES] TOLERANCES ON : 2 PLC DEC ± - 3 PLC DEC ± 0.13 [0.005] ANGLES ± -	DR 5-31-94 B. LEWIS CHK 5-31-94 R. SWING APPD 6-2-94 D. CLARK APPD 6-2-94 D. CLARK PRODUCT SPEC 108-1051 APPLICATION SPEC 114-1020 WEIGHT -
----------------------------------------------------------------------------------------------------------------------------------------------------	---------------------------------------------------------------------------------------------------------------------------------------------------------------------------------

AMP AMP Incorporated Harrisburg, PA 17105-3608		
NAME MTA-156 CONNECTOR ASSEMBLY 22 AWG, STANDARD, TAPE MOUNTED		
SIZE C	CAGE CODE 00779	DRAWING NO C= 644791
SCALE 4:1	SHEET 1 OF 1	

METRIC

THIS DRAWING IS A CONTROLLED DOCUMENT FOR AMP INCORPORATED. IT IS SUBJECT TO CHANGE AND THE CONTROLLING ENGINEERING ORGANIZATION SHOULD BE CONTACTED FOR THE LATEST REVISION.