

5745136-2 ✓ ACTIVE

AMPLIMITE | AMPLIMITE Kit

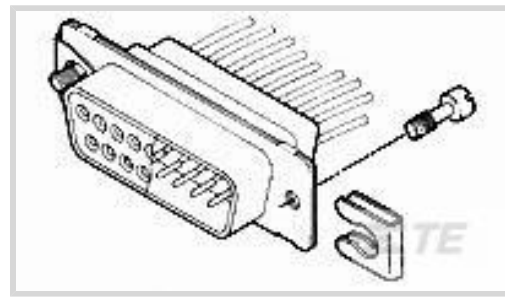
TE Internal #: 5745136-2

D-Sub Locking & Mounting, Screw Retainer Kit, Screw Length 5.08 mm [.2 in], AMPLIMITE Kit

[View on TE.com >](#)



Connectors > D-Shaped Connectors > D-Sub Accessories > Locking & Mounting



D-Shaped Connector Accessories: **Screw Retainer Kit**

Screw Length: 5.08 mm [.2 in]

## Features

### Product Type Features

Product Type	Accessory
D-Shaped Connector Accessories	Screw Retainer Kit

### Mechanical Attachment

Screw Plating Material	Zinc
Screw Material	Cold Rolled Steel
Screw Finish	Yellow Chromate
Screw & Hole Thread Size	4-40
Screw Length	5.08 mm [.2 in]

### Operation/Application

For Use With	Metal Shell Connectors (HDE and HDP)
--------------	--------------------------------------

### Packaging Features

Packaging Quantity	5000
Packaging Method	Bag, Bulk

## Product Compliance

[For compliance documentation, visit the product page on TE.com>](#)

EU RoHS Directive 2011/65/EU	Compliant with Exemptions
EU ELV Directive 2000/53/EC	Compliant with Exemptions
China RoHS 2 Directive MIIT Order No 32, 2016	Restricted Materials Above Threshold
EU REACH Regulation (EC) No. 1907/2006	Current ECHA Candidate List: JUNE 2022 (224)



Candidate List Declared Against: JUNE 2022 (224)  
 SVHC > Threshold:  
 Pb (.35% in Component Part)

**Article Safe Usage Statements:**  
 Do not eat, drink or smoke when using this product. Wash thoroughly after handling. Recycle if possible and dispose of the article by following all applicable governmental regulations relevant to your geographic location.

Halogen Content  
 Low Halogen - Br, Cl, F, I < 900 ppm per homogenous material. Also BFR/CFR/PVC Free

Solder Process Capability  
 Not applicable for solder process capability

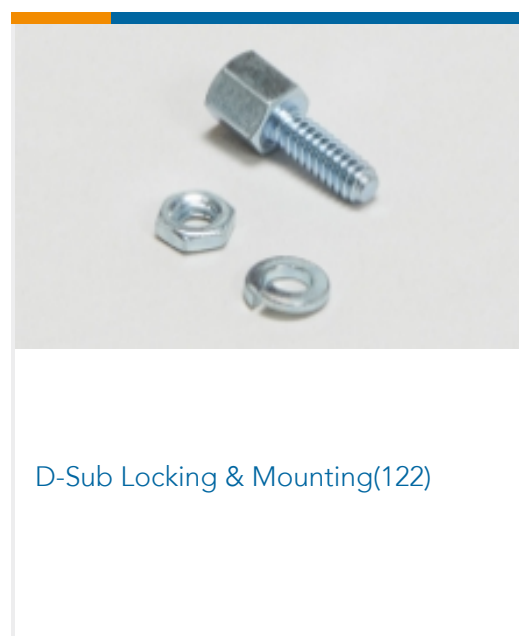
Product Compliance Disclaimer

This information is provided based on reasonable inquiry of our suppliers and represents our current actual knowledge based on the information they provided. This information is subject to change. The part numbers that TE has identified as EU RoHS compliant have a maximum concentration of 0.1% by weight in homogenous materials for lead, hexavalent chromium, mercury, PBB, PBDE, DBP, BBP, DEHP, DIBP, and 0.01% for cadmium, or qualify for an exemption to these limits as defined in the Annexes of Directive 2011/65/EU (RoHS2). Finished electrical and electronic equipment products will be CE marked as required by Directive 2011/65/EU. Components may not be CE marked. Additionally, the part numbers that TE has identified as EU ELV compliant have a maximum concentration of 0.1% by weight in homogenous materials for lead, hexavalent chromium, and mercury, and 0.01% for cadmium, or qualify for an exemption to these limits as defined in the Annexes of Directive 2000/53/EC (ELV). Regarding the REACH Regulation, the information TE provides on SVHC in articles for this part number is based on the latest European Chemicals Agency (ECHA) 'Guidance on requirements for substances in articles' posted at this URL: <https://echa.europa.eu/guidance-documents/guidance-on-reach>

### Compatible Parts



### Also in the Series | AMPLIMITE Kit



### Customers Also Bought



TE Part #1445957-1  
HSG SUB ASY, BLUE



TE Part #42238-2  
FF 250 REC 18-14AWG TPBR PRE  
CRIMPED



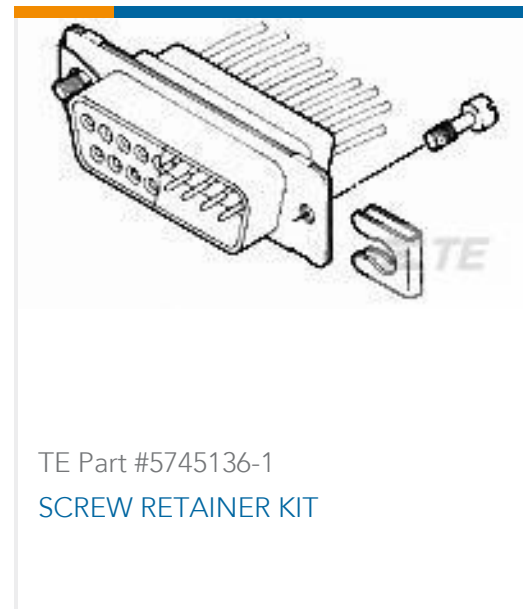
TE Part #5555153-1  
MJ, LPF, R/A, 8P, PCBG, PSTP. 15TTR



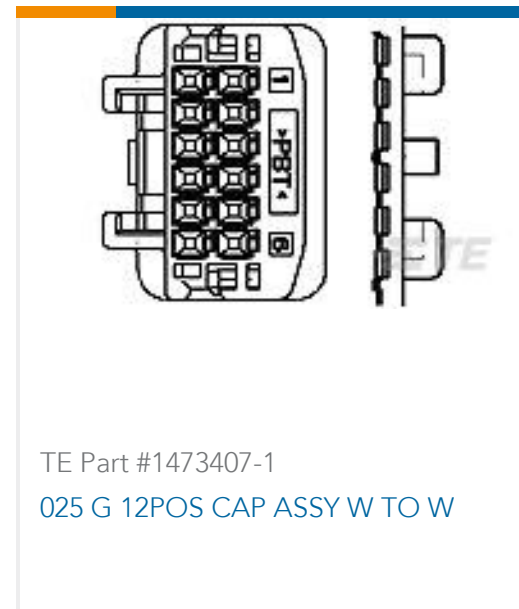
TE Part #350786-1  
02P UMNL HDR ASSY 94VO



TE Part #1445957-4  
HSG SUB ASY, GREEN



TE Part #5745136-1  
SCREW RETAINER KIT



TE Part #1473407-1  
025 G 12POS CAP ASSY W TO W



TE Part #927829-5  
SPT REC 6.3 Contact SRC Ag



TE Part #1674742-1  
025 TH TAB CONTACT



TE Part #16-04477  
GASKET, 24SZ, BLK, HD30

## Documents

### Product Drawings

[SCREW RETAINER KIT, BULK PKG](#)

English

### CAD Files

Customer View Model

[ENG\\_CVM\\_CVM\\_5745136-2\\_O.2d\\_dxf.zip](#)

English

### 3D PDF

3D

Customer View Model

[ENG\\_CVM\\_CVM\\_5745136-2\\_O.3d\\_igs.zip](#)

English

Customer View Model

[ENG\\_CVM\\_CVM\\_5745136-2\\_O.3d\\_stp.zip](#)

English

By downloading the CAD file I accept and agree to the [Terms and Conditions](#) of use.

## Datasheets & Catalog Pages



[AMPLIMITE Subminiature D Connectors - Cable Connectors](#)

English

[AMPLIMITE Cable Connectors and Shielding Hardware Kits QRG](#)

English

---

[Instruction Sheets](#)

[Instruction Sheet \(U.S.\)](#)

English