

626279-4 ✓ ACTIVE

TE Internal #: 626279-4

Ring Terminals & Spade Terminals, Ring Tongue, 20 – 15 AWG

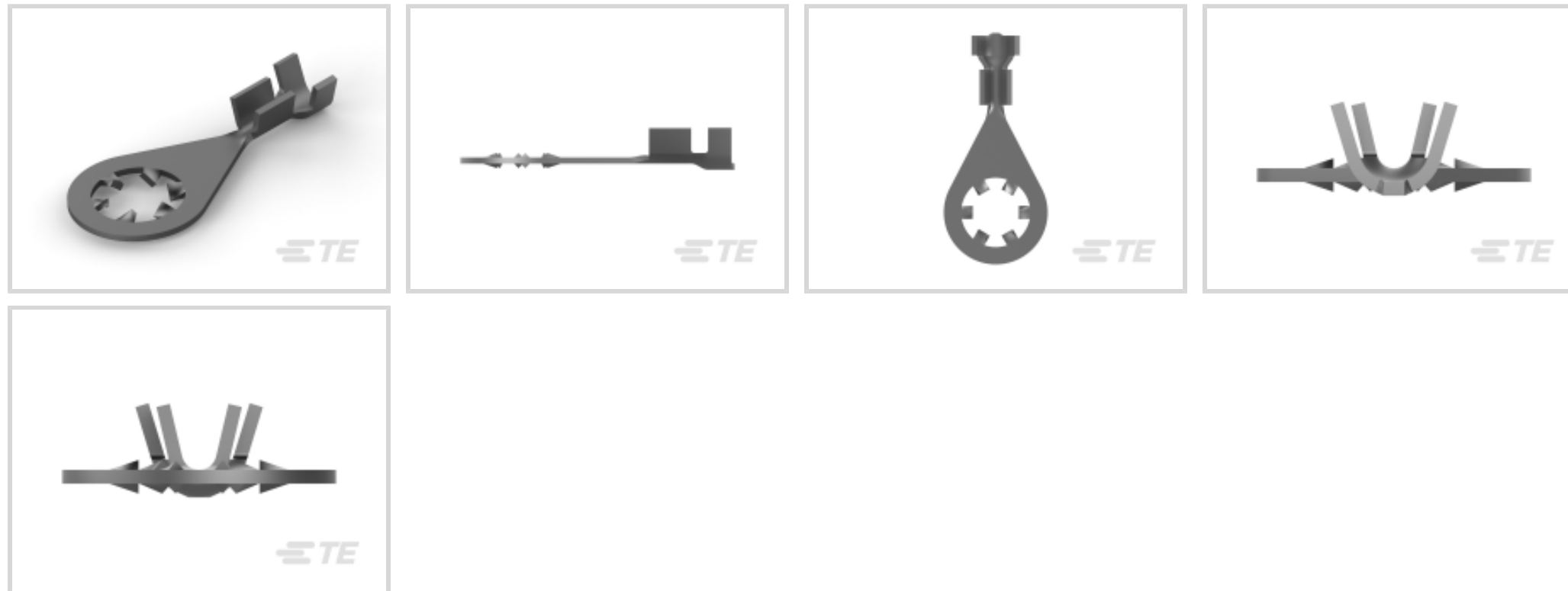
Wire Size, .5 – 1.65 mm² Wire Size, 1021 – 3256 CMA Wire Size,

Stud Size M8 / 5/16

[View on TE.com >](#)



Terminals & Splices > Ring Terminals & Spade Terminals



Ring & Spade Terminal Type: **Ring Tongue**

Wire Size: **1021 – 3256 CMA**

Stud Size: **5/16, M8**

Features

Product Type Features

Terminal Features	Sheared
Shape Description	RING-032
Stud Size	5/16, M8
Sealable	No
Compatible With Discrete Wire Type	Stranded
Wire Insulation Support Retention Type	Insulation Support

Configuration Features

Number of Holes	1
Terminal Angle	180 °

Body Features

Inspection Slot	No
Weight per Piece	.974 g

Contact Features

Ring & Spade Terminal Type	Ring Tongue
Barrel Type	Open
Terminal Orientation	Straight



Terminal Plating Material	Tin
---------------------------	-----

Mechanical Attachment

Wire Insulation Support	With
-------------------------	------

Dimensions

Wire Size	1021 – 3256 CMA
-----------	-----------------

Stud Diameter	5.3 mm[.209 in]
---------------	-----------------

Tongue Thickness	.6 mm[.023 in]
------------------	----------------

Overall Product Length	29.65 mm[1.167 in]
------------------------	--------------------

Barrel Inside Diameter	1.39 mm, 2.95 mm[.054 in][.116 in]
------------------------	------------------------------------

Accepts Wire Insulation Diameter (Max)	.3 mm[.118 in]
--	----------------

Accepts Wire Insulation Diameter Range	2 – 3 mm[.079 – .118 in]
--	--------------------------

Usage Conditions

Insulation Option	Uninsulated
-------------------	-------------

Operating Temperature Range	-40 – 105 °C[-40 – 221 °F]
-----------------------------	----------------------------

Operation/Application

Compatible With Wire Base Material	Copper
------------------------------------	--------

Heavy Duty	No
------------	----

Industry Standards

Government Qualified	No
----------------------	----

Packaging Features

Packaging Quantity	5000
--------------------	------

Packaging Method	Strip/Reel
------------------	------------

Product Compliance

[For compliance documentation, visit the product page on TE.com>](#)

EU RoHS Directive 2011/65/EU	Compliant
------------------------------	-----------

EU ELV Directive 2000/53/EC	Compliant
-----------------------------	-----------

China RoHS 2 Directive MIIT Order No 32, 2016	No Restricted Materials Above Threshold
---	---

EU REACH Regulation (EC) No. 1907/2006	Current ECHA Candidate List: JUNE 2022 (224) Candidate List Declared Against: JAN 2022 (223) SVHC > Threshold: Not Yet Reviewed
--	--

Halogen Content

Low Halogen - Br, Cl, F, I < 900 ppm per homogenous material. Also BFR/CFR/PVC Free

Solder Process Capability

Not applicable for solder process capability

Product Compliance Disclaimer

This information is provided based on reasonable inquiry of our suppliers and represents our current actual knowledge based on the information they provided. This information is subject to change. The part numbers that TE has identified as EU RoHS compliant have a maximum concentration of 0.1% by weight in homogenous materials for lead, hexavalent chromium, mercury, PBB, PBDE, DBP, BBP, DEHP, DIBP, and 0.01% for cadmium, or qualify for an exemption to these limits as defined in the Annexes of Directive 2011/65/EU (RoHS2). Finished electrical and electronic equipment products will be CE marked as required by Directive 2011/65/EU. Components may not be CE marked. Additionally, the part numbers that TE has identified as EU ELV compliant have a maximum concentration of 0.1% by weight in homogenous materials for lead, hexavalent chromium, and mercury, and 0.01% for cadmium, or qualify for an exemption to these limits as defined in the Annexes of Directive 2000/53/EC (ELV). Regarding the REACH Regulation, the information TE provides on SVHC in articles for this part number is based on the latest European Chemicals Agency (ECHA) 'Guidance on requirements for substances in articles' posted at this URL: <https://echa.europa.eu/guidance-documents/guidance-on-reach>

Compatible Parts



TE Part # 2-2150861-2
OC-PA-E-FA-110F160F-001-0256



TE Part # 2150861-2
OC-AT-E-FA-110F160F-001-0256



TE Part # 346101-3
DIN. RING TONGUE TPPHBZ



TE Part # 444026-1
RING TONGUE ANTI ROTATIONAL 1-5 MM2 BR



TE Part # 444026-2
RT ANTI ROTATIONAL 1-5 MM2 ELECTRO TPBR



TE Part # 7-2150861-7
OC-110F160F-CRIMPTOOLINGKIT

Customers Also Bought



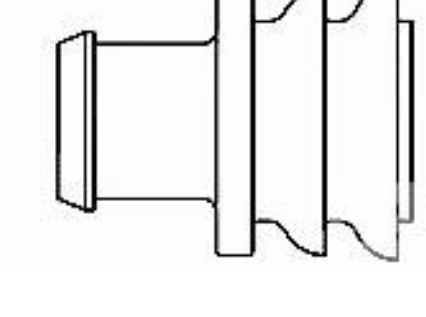
TE Part #DT04-2P
DEUTSCH DT Series Housings & Connectors



TE Part #W2S
DEUTSCH DT WEDGELOCKS



TE Part #282104-1
AMP SUPERSEAL 1.5MM, CONNECTOR HOUSING



TE Part #281934-2
SINGLE WIRE SEAL



Documents

Product Drawings

[RT 0.5-1.50MM2 0.60X13.23 TPBZ FOSF/PHBZ](#)

English

CAD Files

[3D PDF](#)

3D

Customer View Model

[ENG_CVM_CVM_626279-4_B_c-626279-4-b.2d_dxf.zip](#)

English

Customer View Model

[ENG_CVM_CVM_626279-4_B_c-626279-4-b.3d_igs.zip](#)

English

Customer View Model

[ENG_CVM_CVM_626279-4_B_c-626279-4-b.3d_stp.zip](#)

English

By downloading the CAD file I accept and agree to the [Terms and Conditions](#) of use.

Product Specifications

[Application Specification](#)

German