

63365-2 ✓ ACTIVE

FASTON | FASTON 250

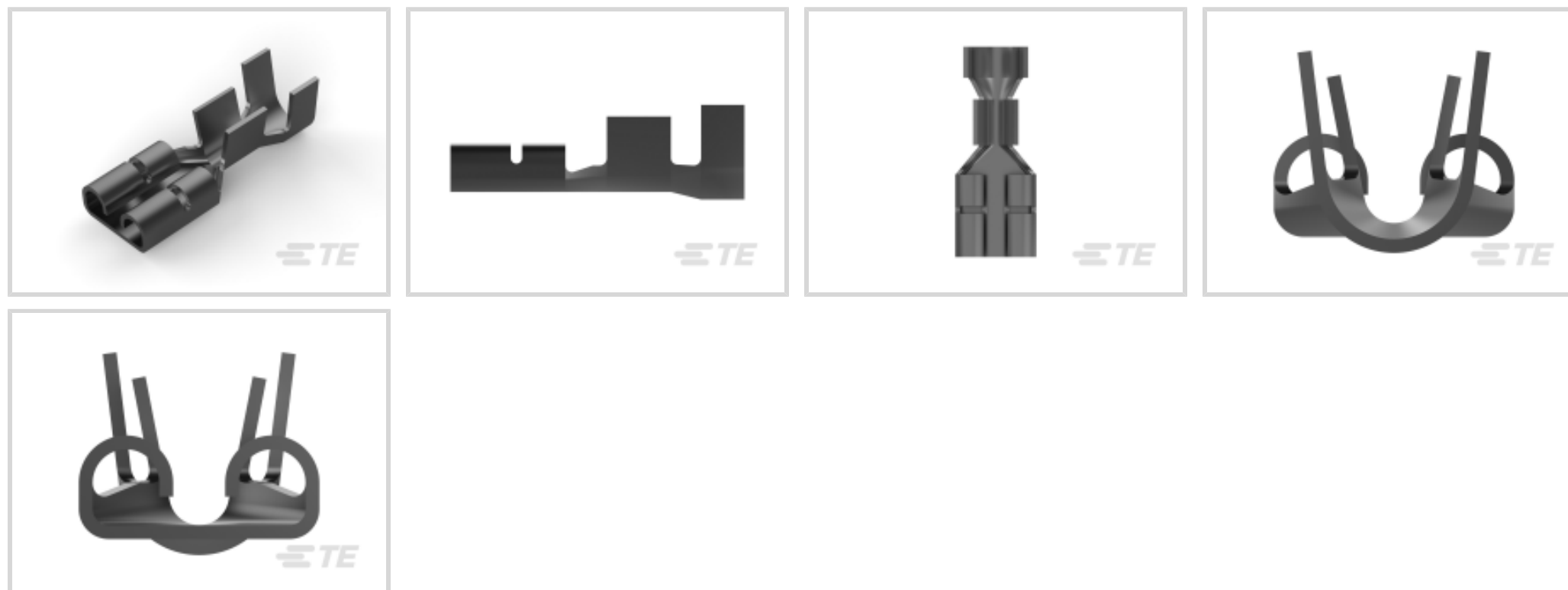
TE Internal #: 63365-2

Quick Disconnects, Receptacle, 14 – 10 AWG Wire Size, 2.08 – 5.26 mm² Wire Size, Mating Tab Width .25 in [6.35 mm], Straight, Brass, FASTON 250

[View on TE.com >](#)



Terminals & Splices > Quick Disconnects



Quick Disconnect Terminal Type: **Receptacle**

Wire Size: **2.08 – 5.26 mm²**

Mating Tab Width: **6.35 mm [.25 in]**

Mating Tab Thickness: **.81 mm [.032 in]**

Features

Product Type Features

Terminates To	Wire & Cable
Wire/Cable Type	Regular Wire
Wire Stop	No
Insertion Force	Low
Sealable	No

Configuration Features

Connection Capacity	Single
---------------------	--------

Contact Features

Quick Disconnect Terminal Type	Receptacle
Mating Tab Width	6.35 mm[.25 in]
Mating Tab Thickness	.81 mm[.032 in]
Terminal Orientation	Straight
Contact Base Material	Brass
Terminal Plating Material	Tin
Crimp Type	F-Crimp



Barrel Type	Open
-------------	------

Mechanical Attachment

Mating Retention Type	Dimple
Wire Insulation Support	With

Dimensions

Accepts Wire Insulation Diameter Range	3.81 – 5.08 mm [.15 – .2 in]
Receptacle Terminal Stock Thickness	.46 mm [.018 in]
Overall Length	19.69 mm [.775 in]
Wire Size	2.08 – 5.26 mm ²

Usage Conditions

Insulation Option	Uninsulated
Operating Temperature Range	-40 – 110 °C [-40 – 230 °F]

Industry Standards

CSA Certified	Yes
UL Rating	Listed

Packaging Features

Packaging Quantity	9000
Packaging Method	Strip/Reel

Other

Line	Budget
------	--------

Product Compliance

[For compliance documentation, visit the product page on TE.com>](#)

EU RoHS Directive 2011/65/EU	Compliant
EU ELV Directive 2000/53/EC	Compliant
China RoHS 2 Directive MIIT Order No 32, 2016	No Restricted Materials Above Threshold
EU REACH Regulation (EC) No. 1907/2006	Current ECHA Candidate List: JUNE 2022 (224) Candidate List Declared Against: JAN 2022 (223) SVHC > Threshold: Not Yet Reviewed
Halogen Content	Low Halogen - Br, Cl, F, I < 900 ppm per homogenous material. Also BFR/CFR/PVC

Free

Solder Process Capability

Not applicable for solder process capability

Product Compliance Disclaimer

This information is provided based on reasonable inquiry of our suppliers and represents our current actual knowledge based on the information they provided. This information is subject to change. The part numbers that TE has identified as EU RoHS compliant have a maximum concentration of 0.1% by weight in homogenous materials for lead, hexavalent chromium, mercury, PBB, PBDE, DBP, BBP, DEHP, DIBP, and 0.01% for cadmium, or qualify for an exemption to these limits as defined in the Annexes of Directive 2011/65/EU (RoHS2). Finished electrical and electronic equipment products will be CE marked as required by Directive 2011/65/EU. Components may not be CE marked. Additionally, the part numbers that TE has identified as EU ELV compliant have a maximum concentration of 0.1% by weight in homogenous materials for lead, hexavalent chromium, and mercury, and 0.01% for cadmium, or qualify for an exemption to these limits as defined in the Annexes of Directive 2000/53/EC (ELV). Regarding the REACH Regulation, the information TE provides on SVHC in articles for this part number is based on the latest European Chemicals Agency (ECHA) 'Guidance on requirements for substances in articles' posted at this URL: <https://echa.europa.eu/guidance-documents/guidance-on-reach>

Compatible Parts



TE Part # 314917-1
EXT TL 250 U-POD STR IS9726



TE Part # 58525-1
PROCRIMPER TOOL & DIE



TE Part # 7-2150237-7
OCEAN_2.0_SPARE_PART_KIT-130F2100



TE Part # 735211-2
250 FASTON REC 14-10 AWG TPBR



TE Part # 2-2150237-1
OCEAN_2.0_APPLICATOR-E-130F2100




TE Part # 2-2150237-2
OCEAN_2.0_APPLICATOR-E-130F2100



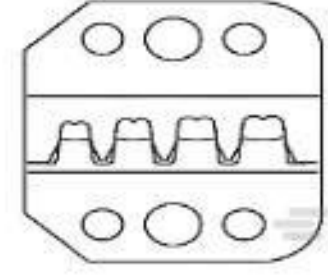
TE Part # 2150237-1
OCEAN_2.0_APPLICATOR-E-130F2100



TE Part # 2150237-2
OCEAN_2.0_APPLICATOR-E-130F2100



TE Part # 314916-1
INSER TL 250 U-POD STR IS9725



TE Part # 58525-2
PROCRIMPER DIE



TE Part # 90120
DAHT 250 FASTON REC 14-10 ASSY

Also in the Series | **FASTON 250**



Compression Connectors(4)



Crimp Terminal Housings(143)



Insertion & Extraction Tools(6)



Magnet Wire Terminals(1)



PCB Terminals(144)



Quick Disconnects(456)



Splices(4)

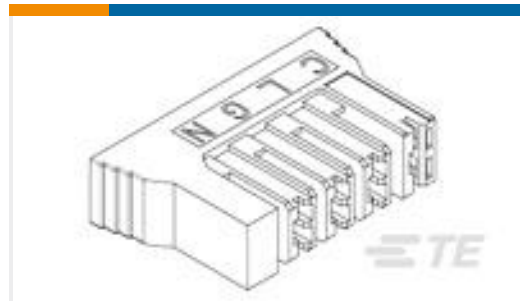
Customers Also Bought



TE Part #794115-8
08P SL156 HSG W/LR,W/O#2



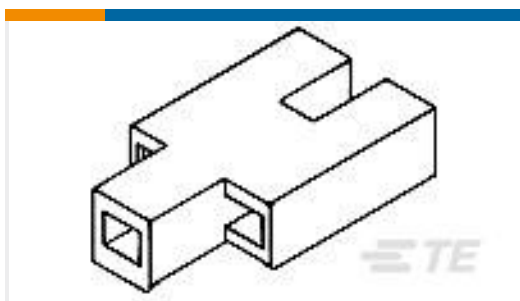
TE Part #1775441-5
EMIX CONN., 1.5MM PITCH, RCPT, HSG, 5P



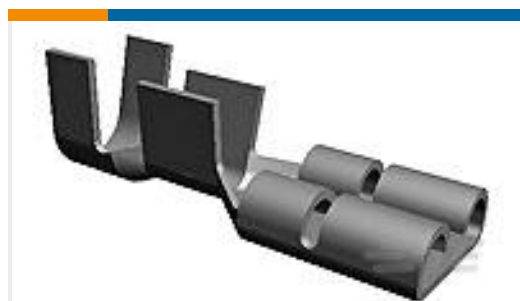
TE Part #521781-1
250 HSG. PL MKIII REC. 6.81mm 4P NAT



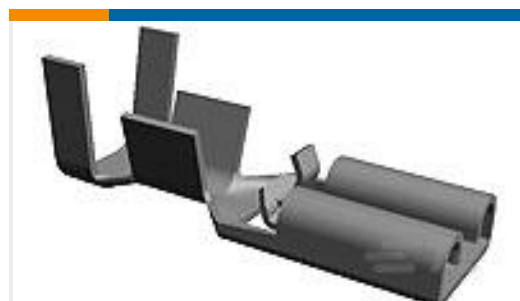
TE Part #63610-2
SPRING SPADE TERMINAL 14-10 AWG TPBR



TE Part #235280-1
CLUSTER BLOCK HSG .090 DIA



TE Part #63306-2
250 FASTON REC 18-14 AWG TPBR



TE Part #1217113-2
187 PL MKIII REC. 22-18AWG TPBR



TE Part #235280-6
CLUSTER BLOCK HSG .090 DIA



TE Part #1742601-1
187 FASTON,REC.,16-12 AWG,TPBR

Documents



Product Drawings

250 FASTON REC 14-10 AWG TPBR

English

CAD Files

Customer View Model

[ENG_CVM_CVM_63365-2_AF.2d_dxf.zip](#)

English

3D PDF

3D

Customer View Model

[ENG_CVM_CVM_63365-2_AF.3d_igs.zip](#)

English

Customer View Model

[ENG_CVM_CVM_63365-2_AF.3d_stp.zip](#)

English

By downloading the CAD file I accept and agree to the [Terms and Conditions](#) of use.

Datasheets & Catalog Pages

82004 FASTON Terminals (Insulated and Uninsulated) Catalog - FASTON Receptacles Section

English

Product Specifications

Application Specification

English

Product Environmental Compliance

TE Material Declaration

English

Agency Approvals

CSA Certificate

English

CSA Certificate

English