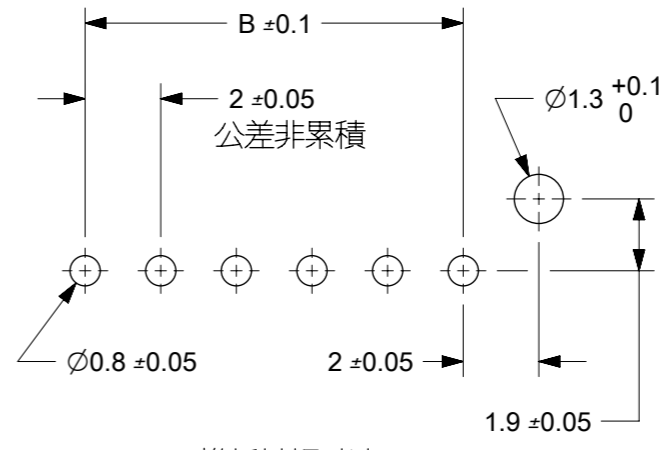
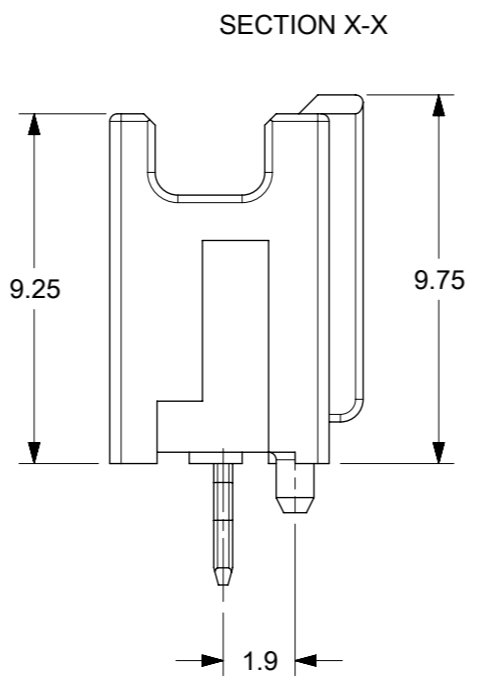
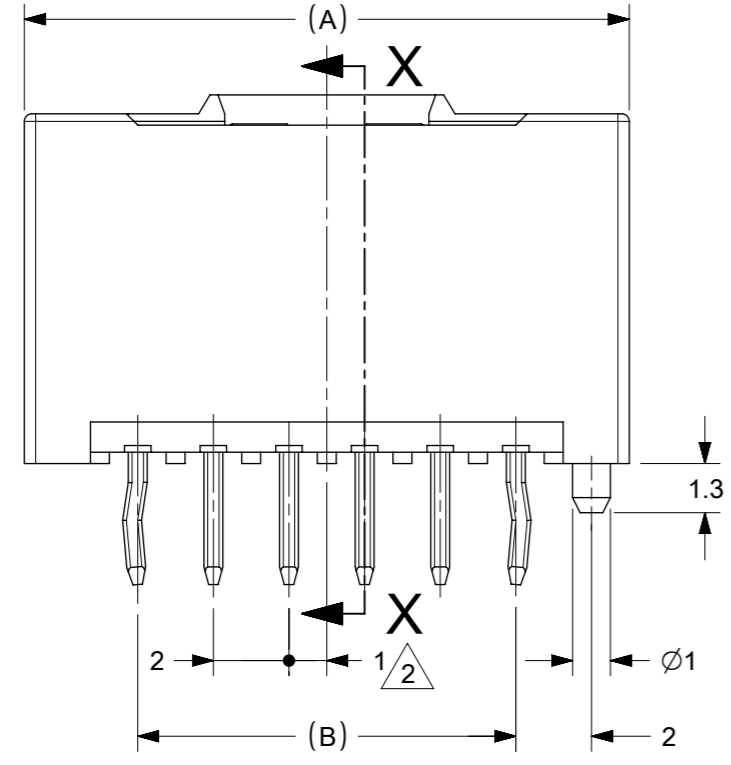


NOTE

1. 嵌合相手: 51382 シリーズ
MATE WITH : 51382 SERIES
2. 偶数極 (列) に適用。
APPLY EVEN CIRCUIT PRODUCTS.
3. キングは両外側の位置に付加。
KINK TO BE APPLIED BOTH ENDS.
4. 材質 ハウジング : ポリエステル(PBT) UL94V-0
MATERIALS HOUSING : POLYESTER(PBT) UL94V-0
 ピン : 黄銅
 PIN : BRASS
5. めっき
 ピン : 錫めっき, リフロー処理 (前めっき) めっき厚 : 1.0 μ m MIN.
 ニッケル下地めっき, めっき厚 : 0.5 μ m MIN.
FINISHES PIN : PRE-TIN PLATED, (HEAT TREATED MATTE TIN)
 PLATING THICKNESS : 1.0 μ m MIN.
 NICKEL UNDERPLATE OVERALL
 PLATING THICKNESS : 0.5 μ m MIN.



推奨基板寸法
(t = 1.6)

31	28	34	55932-15**	15
29	26	32	55932-14**	14
27	24	30	55932-13**	13
25	22	28	55932-12**	12
23	20	26	55932-11**	11
21	18	24	55932-10**	10
19	16	22	55932-09**	9
17	14	20	55932-08**	8
15	12	18	55932-07**	7
13	10	16	55932-06**	6
11	8	14	55932-05**	5
9	6	12	55932-04**	4
7	4	10	55932-03**	3
5	2	8	55932-02**	2
C	B	A	MATERIAL NO.	CKT.

MODEL NO. : 55932 - ****

THIS DRAWING CONTAINS INFORMATION THAT IS PROPRIETARY TO MOLEX ELECTRONIC TECHNOLOGIES, LLC AND SHOULD NOT BE USED WITHOUT WRITTEN PERMISSION

DIMENSION UNITS	SCALE	CURRENT REV DESC: REMASTERED AND OBSOLETE PART NUMBERS	molex		
mm	NTS				
GENERAL TOLERANCES (UNLESS SPECIFIED)			2.0 W/B SINGLE CONN. PLUG HOUSING ASSY ST -LEAD FREE-		
ANGULAR TOL	$\pm 3.0^\circ$	EC NO: 642933	PRODUCT CUSTOMER DRAWING		
4 PLACES	\pm	DRWN: MKP 2020/07/20	DOCUMENT NUMBER	DOC TYPE	DOC PART
3 PLACES	\pm	CHK'D: YVENKATESWAR 2020/08/05	SD-55932-002	PSD	001
2 PLACES	± 0.2	APPR: ISHWARG 2020/08/07	L1		
1 PLACE	± 0.2	INITIAL REVISION:	SHEET NUMBER		
0 PLACES	± 0.2	DRWN: T.NIITSU 2002/02/08	1 OF 3		
DRAFT WHERE APPLICABLE MUST REMAIN WITHIN DIMENSIONS		APPR: T.YAMAGUCHI 2003/06/12	MATERIAL NUMBER	CUSTOMER	
THIRD ANGLE PROJECTION		DRAWING	55932	GENERAL MARKET	

10

9

8

7

6

5

4

3

2

1

F

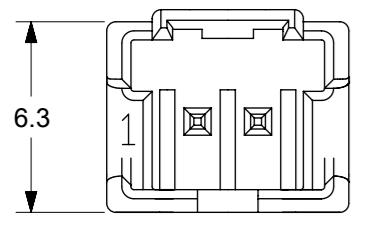
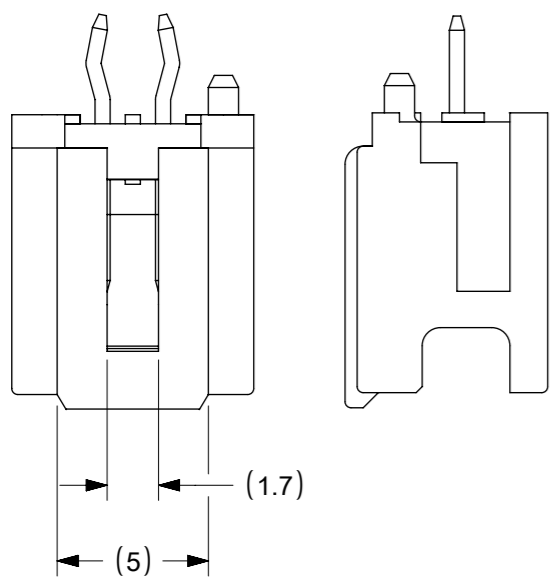
E

D

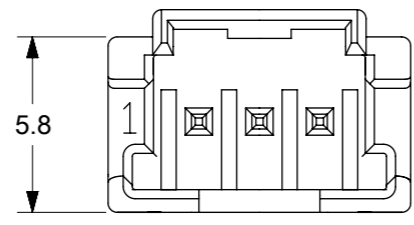
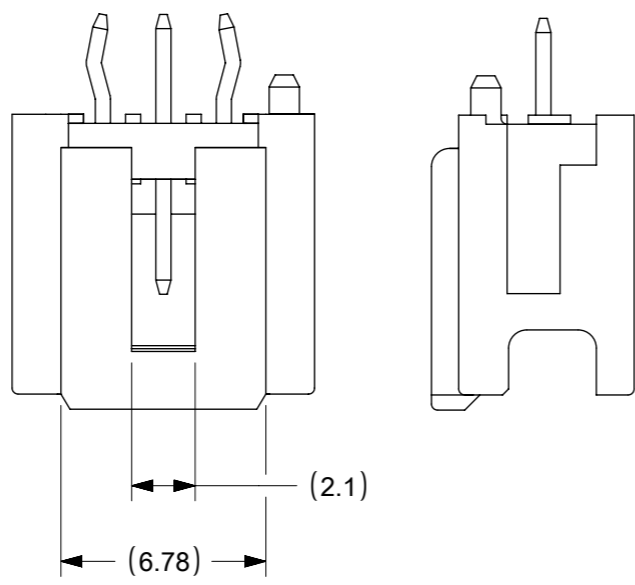
C

B

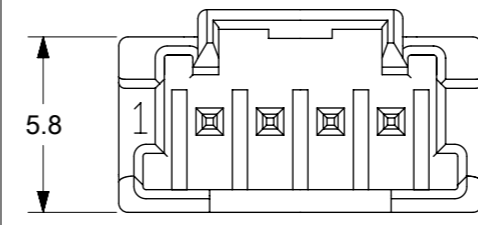
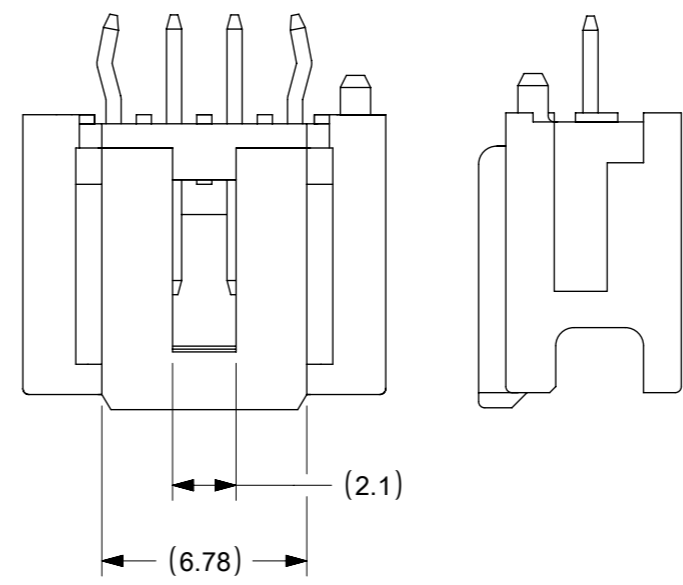
A



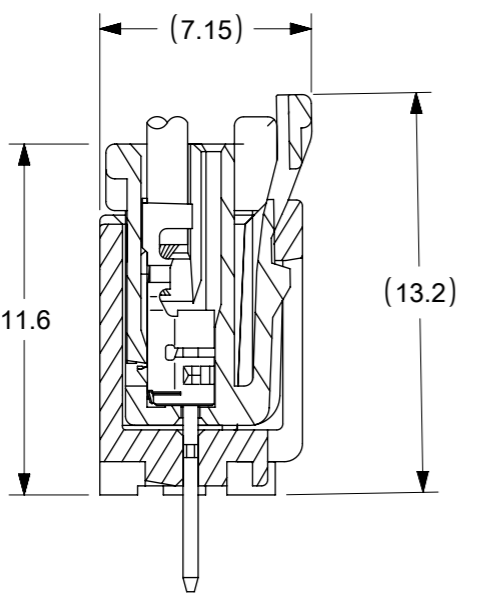
2 CIRCUIT



3 CIRCUIT



4 CIRCUIT 以上



嵌合断面図

△ 製品番号 MATERIAL NO.

55932 - ****

極数 CIRCUIT SIZE

色 COLOR

10	自然色 (白) NATURAL (WHITE)
11	黒 BLACK
12	赤 RED
13	黄 YELLOW
14	青 BLUE
15	桃 PINK
16	緑 GREEN
17	茶 BROWN
18	橙 ORANGE
19	紫 VIOLET
41	灰 GRAY
43	蛍光黄 FLUORESCENCE YELLOW
44	水 PALE BLUE
46	黄緑 YELLOWISH GREEN

THIS DRAWING CONTAINS INFORMATION THAT IS PROPRIETARY TO MOLEX ELECTRONIC TECHNOLOGIES, LLC AND SHOULD NOT BE USED WITHOUT WRITTEN PERMISSION

DIMENSION UNITS mm	SCALE NTS	CURRENT REV DESC: REMASTERED AND OBSOLETE PART NUMBERS	molex		
GENERAL TOLERANCES (UNLESS SPECIFIED)					
ANGULAR TOL ± 3.0 °			PRODUCT CUSTOMER DRAWING		
4 PLACES ±		EC NO: 642933	DOCUMENT NUMBER		
3 PLACES ±		DRWN: MKP 2020/07/20	SD-55932-002		
2 PLACES ± 0.2		CHK'D: YVENKATESWAR 2020/08/05	DOC TYPE	DOC PART	REVISION
1 PLACE ± 0.2		APPR: ISHWARG 2020/08/07	PSD	001	L1
0 PLACES ± 0.2		INITIAL REVISION:	SHEET NUMBER		
DRAFT WHERE APPLICABLE MUST REMAIN WITHIN DIMENSIONS	THIRD ANGLE PROJECTION	DRWING	SERIES	MATERIAL NUMBER	CUSTOMER
		A3-SIZE	55932	SEE CHART	GENERAL MARKET

10

9

8

7

6

5

4


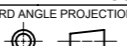
3

2

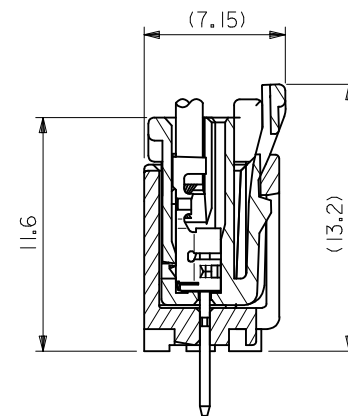
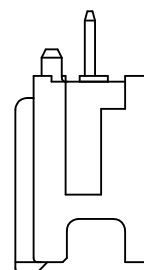
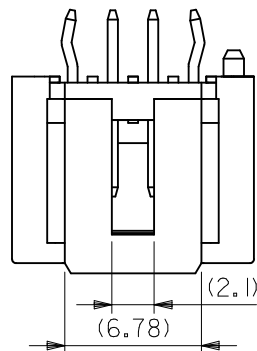
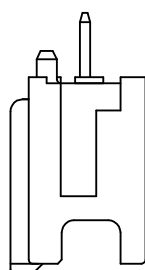
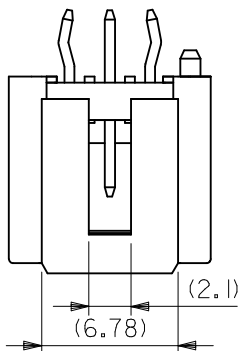
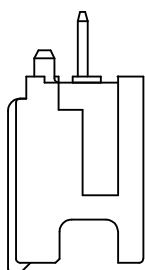
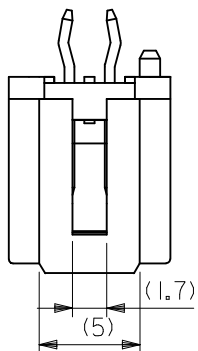
1

自然色 (白) NATURAL (WHITE)	黒 BLACK	赤 RED	黄 YELLOW	青 BLUE	桃 PINK	緑 GREEN	茶 BROWN	オレンジ ORANGE
559321510	559321511	559321512	559321513	559321514	559321515	559321516	559321517	559321518
559321410	559321411	559321412	559321413	559321414	559321415	559321416	559321417	559321418
559321310	559321311	559321312	559321313	559321314	559321315	559321316	559321317	559321318
559321210	559321211	559321212	559321213	559321214	559321215	559321216	559321217	559321218
559321110	559321111	559321112	559321113	559321114	559321115	559321116	559321117	559321118
559321010	559321011	559321012	559321013	559321014	559321015	559321016	559321017	559321018
559320910	559320911	559320912	559320913	559320914	559320915	559320916	559320917	559320918
559320810	559320811	559320812	559320813	559320814	559320815	559320816	559320817	559320818
559320710	559320711	559320712	559320713	559320714	559320715	559320716	559320717	559320718
559320610	559320611	559320612	559320613	559320614	559320615	559320616	559320617	559320618
559320510	559320511	559320512	559320513	559320514	559320515	559320516	559320517	559320518
559320410	559320411	559320412	559320413	559320414	559320415	559320416	559320417	559320418
559320310	559320311	559320312	559320313	559320314	559320315	559320316	559320317	559320318
559320210	559320211	559320212	559320213	559320214	559320215	559320216	559320217	559320218
R MATERIAL NO.	R MATERIAL NO.	R MATERIAL NO.	R MATERIAL NO.	R MATERIAL NO.	R MATERIAL NO.	R MATERIAL NO.	R MATERIAL NO.	R MATERIAL NO.

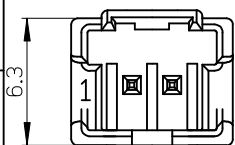
紫 VIOLET	灰 GRAY	蛍光黄 FLUORESCENCE YELLOW	水 PALE BLUE	黄緑 YELLOWISH GREEN
559321519	559321541	559321543	559321544	559321546 VO
559321419	559321441	559321443	559321444	559321446 VO
559321319	559321341	559321343	559321344	559321346 VO
559321219	559321241	559321243	559321244	559321246 VO
559321119	559321141	559321143	559321144	559321146 VO
559321019	559321041	559321043	559321044	559321046 VO
559320919	559320941	559320943	559320944	559320946 VO
559320819	559320841	559320843	559320844	559320846 VO
559320719	559320741	559320743	559320744	559320746 VO
559320619	559320641	559320643	559320644	559320646 VO
559320519	559320541	559320543	559320544	559320546 VO
559320419	559320441	559320443	559320444	559320446 VO
559320319	559320341	559320343	559320344	559320346 VO
559320219	559320241	559320243	559320244	559320246 VO
R MATERIAL NO.	R MATERIAL NO.	R MATERIAL NO.	R MATERIAL NO.	R MATERIAL NO.

THIS DRAWING CONTAINS INFORMATION THAT IS PROPRIETARY TO MOLEX ELECTRONIC TECHNOLOGIES, LLC AND SHOULD NOT BE USED WITHOUT WRITTEN PERMISSION									
DIMENSION UNITS mm	SCALE NTS	CURRENT REV DESC: REMASTERED AND OBSOLETE PART NUMBERS							
GENERAL TOLERANCES (UNLESS SPECIFIED)		EC NO: 642933							
ANGULAR TOL	± 3.0 °	DRWN: MKP 2020/07/20			2.0 W/B SINGLE CONN. PLUG HOUSING ASSY ST -LEAD FREE-				
4 PLACES	±	CHK'D: YVENKATESWAR 2020/08/05							
3 PLACES	±	APPR: ISHWARG 2020/08/07			PRODUCT CUSTOMER DRAWING				
2 PLACES	± 0.2	INITIAL REVISION:							
1 PLACE	± 0.2	DRWN: T.NIITSU 2002/02/08			DOCUMENT NUMBER	DOC TYPE	DOC PART	REVISION	
0 PLACES	± 0.2	APPR: T.YAMAGUCHI 2003/06/12			SD-55932-002	PSD	001	L1	
DRAFT WHERE APPLICABLE MUST REMAIN WITHIN DIMENSIONS	THIRD ANGLE PROJECTION	DRAWING	SERIES	MATERIAL NUMBER	CUSTOMER		SHEET NUMBER		
		A3-SIZE	55932	SEE CHART	GENERAL MARKET		3 OF 3		

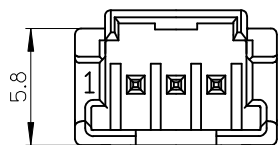
10 9 8 7 6 5 4 3 2 1



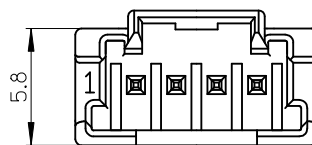
嵌合断面図



2 CIRCUIT



3 CIRCUIT



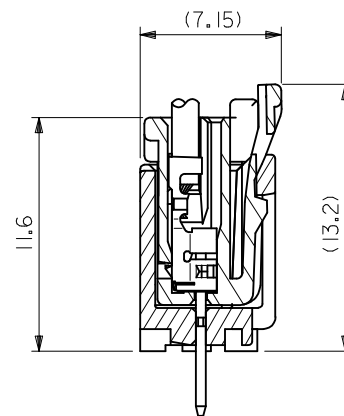
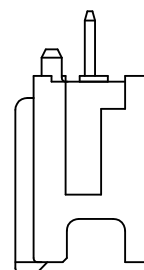
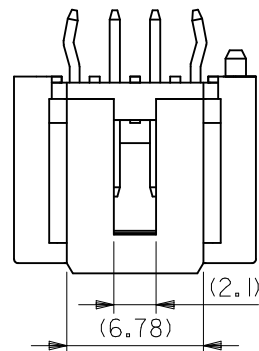
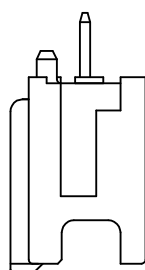
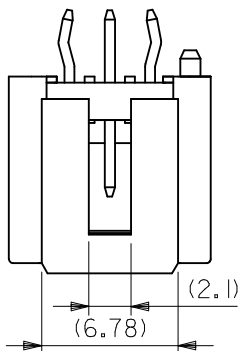
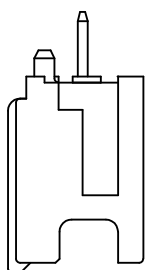
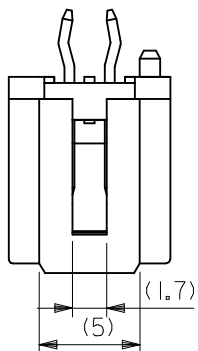
4 CIRCUIT 以上

MODEL NO. : 55932-****

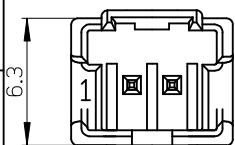
REVISED EC NO: J2017-0480 DRW:KUSATO 2017/03/13 CHK:DAIDA 2017/03/13 APPR:KANAKO 2017/03/16	GENERAL TOLERANCES (UNLESS SPECIFIED)			DIMENSION STYLE MM ONLY		SCALE ---	DESIGN UNITS METRIC	THIRD ANGLE PROJECTION	
	0.25 UNDER	UNDER	±0.03	DRAWN BY	DATE	TITLE			
	0.25 OVER	0.5 UNDER	±0.05	T.NIITSU	'02/02/08	2.0 W/B SINGLE CONN. PLUG HOUSING ASS'Y ST -LEAD FREE-			
	0.5 OVER	1.0 UNDER	±0.1	CHECKED BY	DATE				
	1.0 OVER	10 UNDER	±0.2	K.ASAKAWA	'03/06/12				
	10 OVER	30 UNDER	±0.25	APPROVED BY	DATE	DOCUMENT NO.		SHEET NO.	
30 OVER		±0.3	T.YAMAGUCHI	'03/06/12	SD-55932-002		2 OF 2		
ANGULAR	±3 °		MATERIAL NO.		SEE SHEET 1				
DRAFT WHERE APPLICABLE MUST REMAIN WITHIN DIMENSIONS				SIZE A3	THIS DRAWING CONTAINS INFORMATION THAT IS PROPRIETARY TO MOLEX ELECTRONIC TECHNOLOGIES, LLC AND SHOULD NOT BE USED WITHOUT WRITTEN PERMISSION				

9 8 7 6 5 4 3 2 1

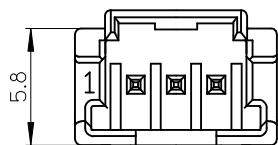
10 9 8 7 6 5 4 3 2 1



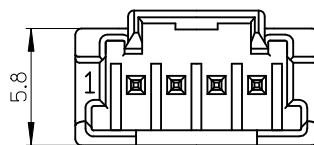
嵌合断面図



2 CIRCUIT



3 CIRCUIT



4 CIRCUIT 以上

MODEL NO. : 55932-****

REVISED EC NO: J2017-0480 DRW:KUSATO 2017/03/13 CHK:DAIDA 2017/03/13 APPR:KANAKO 2017/03/16	GENERAL TOLERANCES (UNLESS SPECIFIED)			DIMENSION STYLE MM ONLY		SCALE ---	DESIGN UNITS METRIC	THIRD ANGLE PROJECTION	
	0.25 UNDER	UNDER	±0.03	DRAWN BY	DATE	TITLE			
	0.25 OVER	0.5 UNDER	±0.05	T.NIITSU	'02/02/08	2.0 W/B SINGLE CONN. PLUG HOUSING ASS'Y ST -LEAD FREE-			
	0.5 OVER	1.0 UNDER	±0.1	CHECKED BY	DATE				
	1.0 OVER	10 UNDER	±0.2	K.ASAKAWA	'03/06/12				
	10 OVER	30 UNDER	±0.25	APPROVED BY	DATE	DOCUMENT NO.		SHEET NO.	
30 OVER		±0.3	T.YAMAGUCHI	'03/06/12	SD-55932-002		2 OF 2		
ANGULAR	±3 °		MATERIAL NO.		SEE SHEET 1				
DRAFT WHERE APPLICABLE MUST REMAIN WITHIN DIMENSIONS				SIZE A3	THIS DRAWING CONTAINS INFORMATION THAT IS PROPRIETARY TO MOLEX ELECTRONIC TECHNOLOGIES, LLC AND SHOULD NOT BE USED WITHOUT WRITTEN PERMISSION				

9 8 7 6 5 4 3 2 1