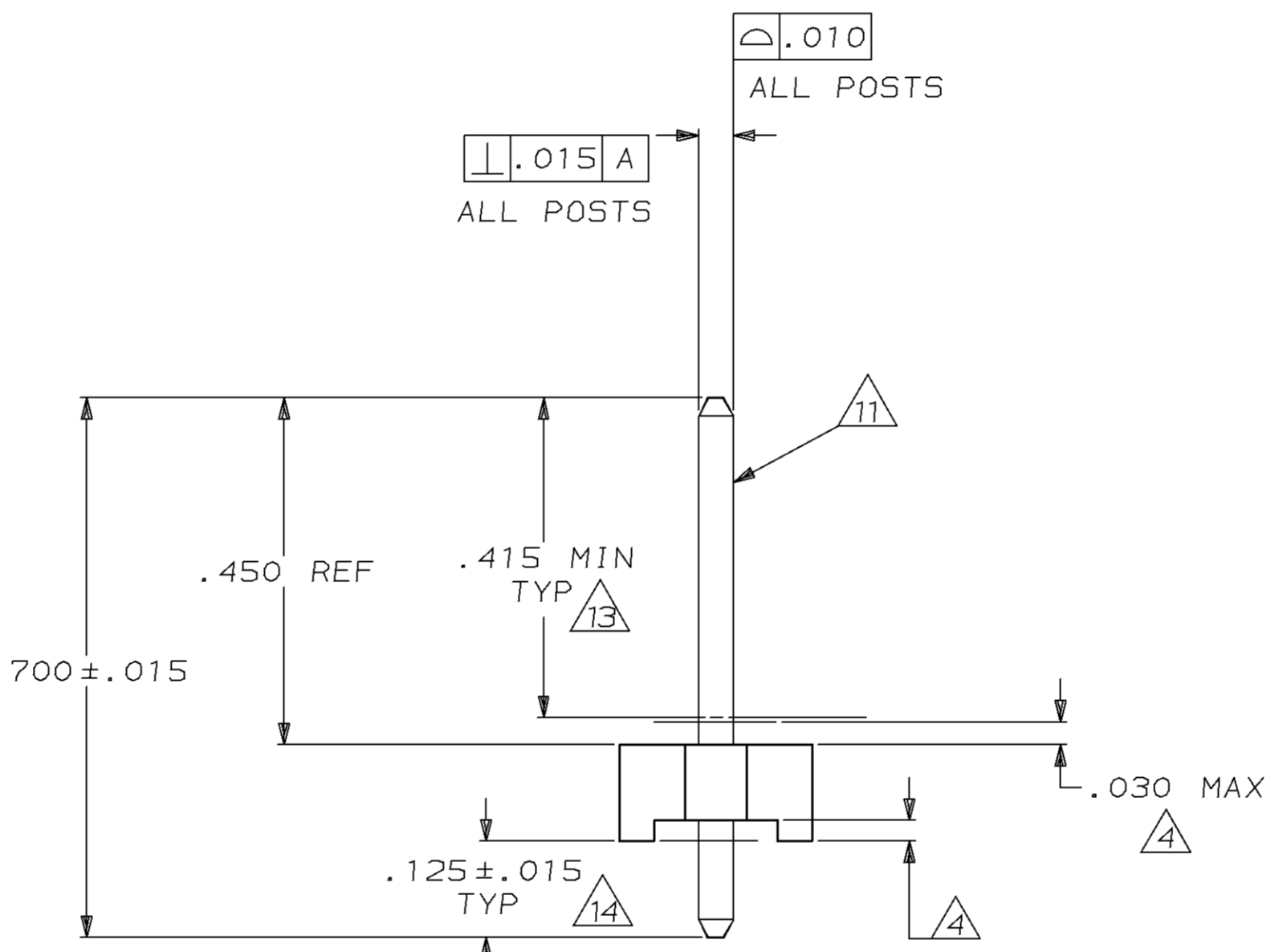
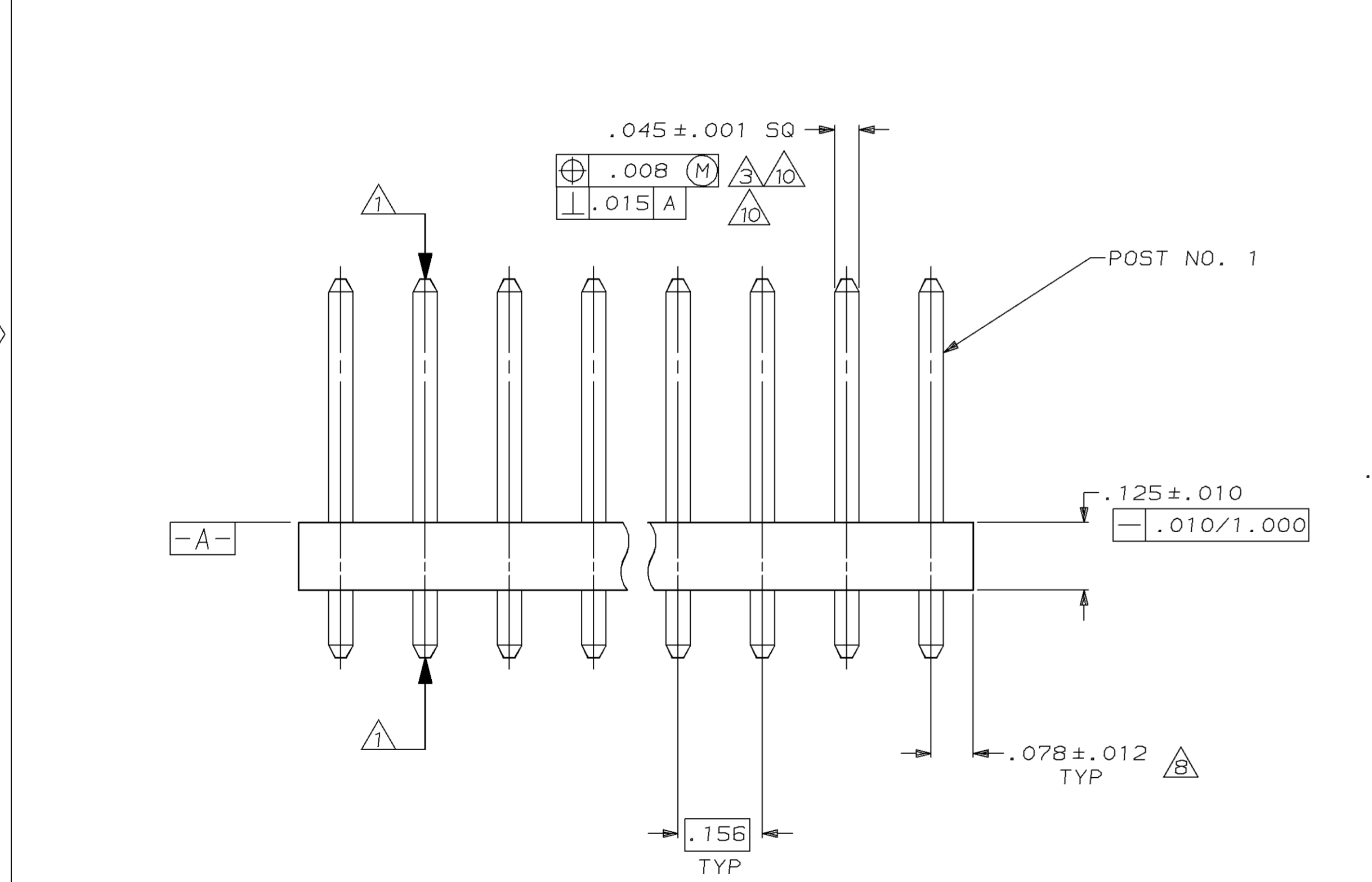
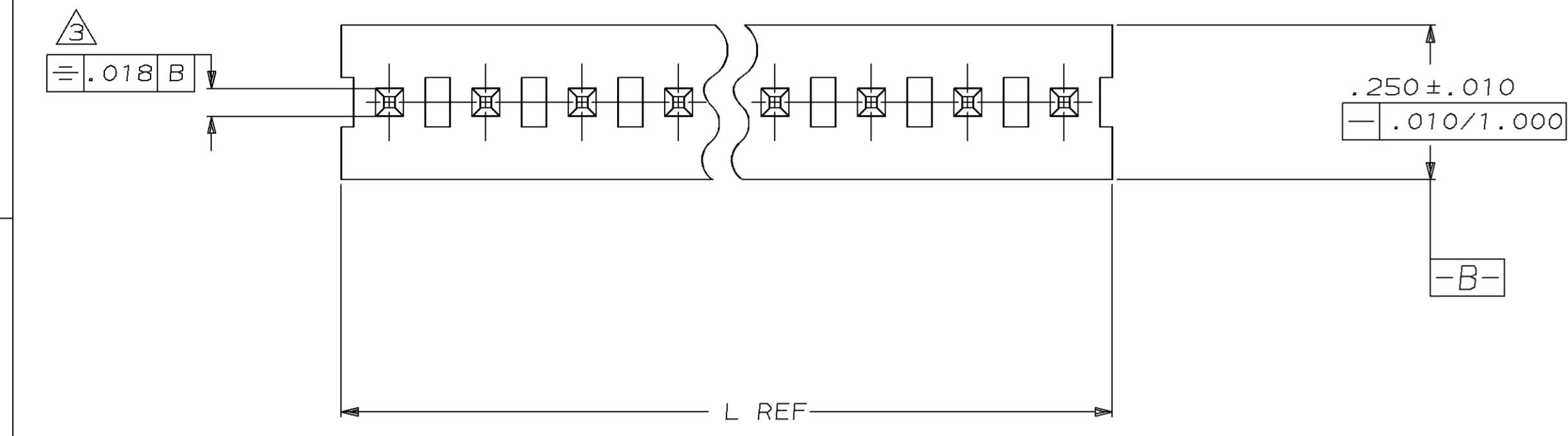
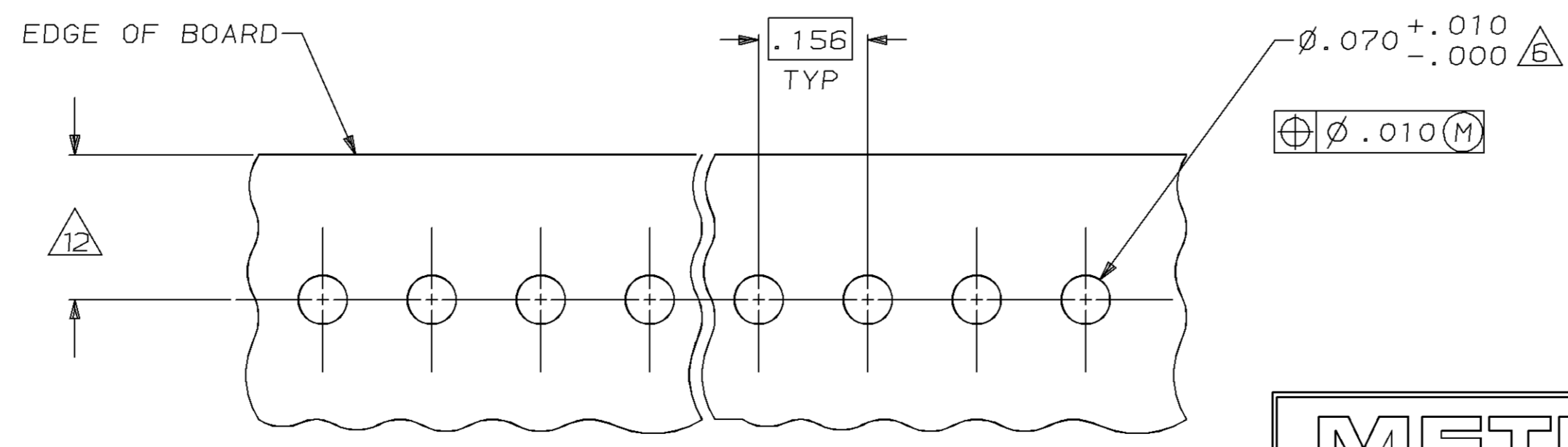


LOC	DIST	P	F	ZONE	LTR	REVISIONS	DATE	APPD
CM	54					REACT -2 THRU -24 & REV PER EC 0730-0043-96	5-10-96	BL RS



IN	MM	IN	MM
.045	1.14		
.030	0.76	1.000	25.40
.018	0.46	.700	17.78
.015	0.38	.450	11.43
.012	0.30	.415	10.54
.010	0.25	.250	6.35
.008	0.20	.156	3.96
.005	0.13	.140	3.56
.001	0.03	.125	3.18
.000350	.00889	.078	1.98
.000150	.00381	.070	1.78
.000050	.00127	.065	1.65
.0000150	.00089	.063	1.60
.000	0.00	.060	1.52



RECOMMENDED MOUNTING HOLE PATTERN FOR .063 THICK P.C. BOARD

**METRIC**

THIS DRAWING IS A CONTROLLED DOCUMENT FOR AMP INCORPORATED. IT IS SUBJECT TO CHANGE AND THE CONTROLLING ENGINEERING ORGANIZATION SHOULD BE CONTACTED FOR THE LATEST REVISION.

1. POST TO WITHSTAND 13 NEWTONS (3LBS.) MIN. AXIAL FORCE IN BOTH DIRECTIONS SHOWN WITHOUT DISLODGING.
2. TOLERANCES APPLY TO SOLDER SIDE OF BOARD.
3. MEASURED AT SURFACE -A-
4. PLASTIC FLASH PERMITTED IN THIS AREA.
5. PARTS COMPLY WITH AMP SOLDERABILITY SPEC. NO. 109-11-2.
6. ONE HOLE MAY BE UNDERSIZED (.065/.060 DIA.) FOR ASSEMBLY RETENTION DURING WAVE SOLDERING.
7. MATERIAL: HEADER-THERMOPLASTIC POLYESTER NON-FILLED 94V-0 (NATURAL) POST-COPPER ALLOY (SEE NOTES 13 & 14 FOR PLATING)
8. COORDINATE DIMENSION APPLIES FROM CENTER OF ACTUAL FEATURE.
9. PLASTIC BURRS CAUSED BY CUT-OFF TOOLING ARE PERMITTED WITHIN THE MAXIMUM TOLERANCE ENVELOPE.
10. POST TO BE MEASURED WHEN STRIP IS HELD FLAT.
11. POST MUST WITHSTAND TWO 90° BENDS AGAINST EXTRUSION WITHOUT BREAKING.
12. DIMENSION SHOULD BE .140 MIN WHEN MATING WITH A MTA-156 CONNECTOR ASSEMBLY, OR A SL-156 CONNECTOR ASSEMBLY.
13. GOLD PLATE AREA, .000015 MIN., ALL SIDES, OVER NICKEL UNDERPLATE, .000050 MIN., ALL SIDES AND ENTIRE LENGTH OF POST.
14. BRIGHT TIN/LEAD (93/7) PLATE AREA, .000150-.000350 THICK, ALL FOUR SIDES, .125 MIN.

IN	MM	NUMBER OF POSITIONS	PART NUMBER
3.744	95.10	24	2-641113-4
3.588	91.14	23	2-641113-3
3.432	87.17	22	2-641113-2
3.276	83.21	21	2-641113-1
3.120	79.25	20	2-641113-0
2.964	75.29	19	1-641113-9
2.808	71.32	18	1-641113-8
2.652	67.36	17	1-641113-7
2.496	63.40	16	1-641113-6
2.340	59.44	15	1-641113-5
2.184	55.47	14	1-641113-4
2.028	51.51	13	1-641113-3
1.872	47.55	12	1-641113-2
1.716	43.59	11	1-641113-1
1.560	39.62	10	1-641113-0
1.404	35.66	9	641113-9
1.248	31.70	8	641113-8
1.092	27.74	7	641113-7
.936	23.77	6	641113-6
.780	19.81	5	641113-5
.624	15.85	4	641113-4
.468	11.89	3	641113-3
.312	7.92	2	641113-2

DO NOT SCALE PRINT. UNLESS SPECIFIED DIMENSIONS IN INCHES TOLERANCES ON:		PART NO	
2 PLC DEC ±	-	AMP Incorporated Harrisburg, PA 17105-3608	
3 PLC DEC ±	.005	NAME	
ANGLES ±	-	MTA-156 HEADER ASSEMBLY, PLAIN, STRAIGHT, .045 SQUARE POST, .000015 GOLD	
MATERIAL		SIZE	D
		CAGE CODE	00779
		DRAWING NO	641113
FINISH		SCALE	5:1
		SHEET	1 OF 1

CUSTOMER DRAWING