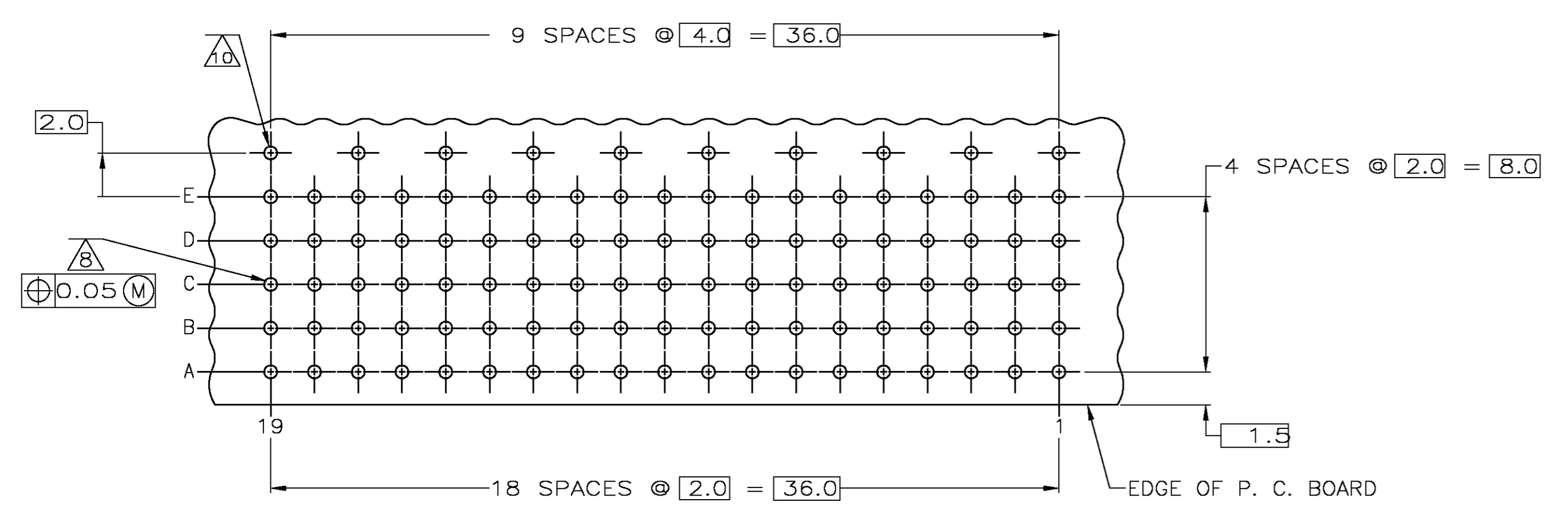
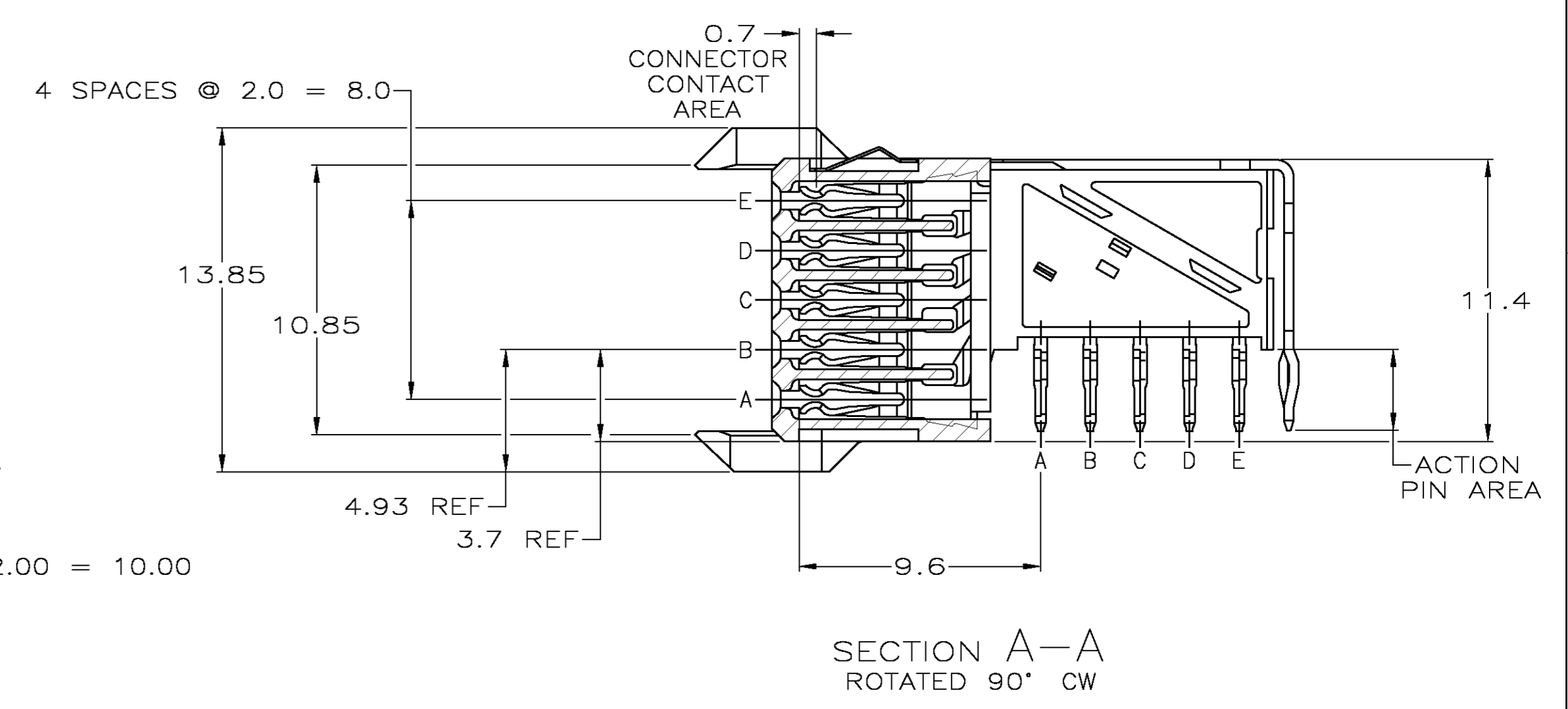
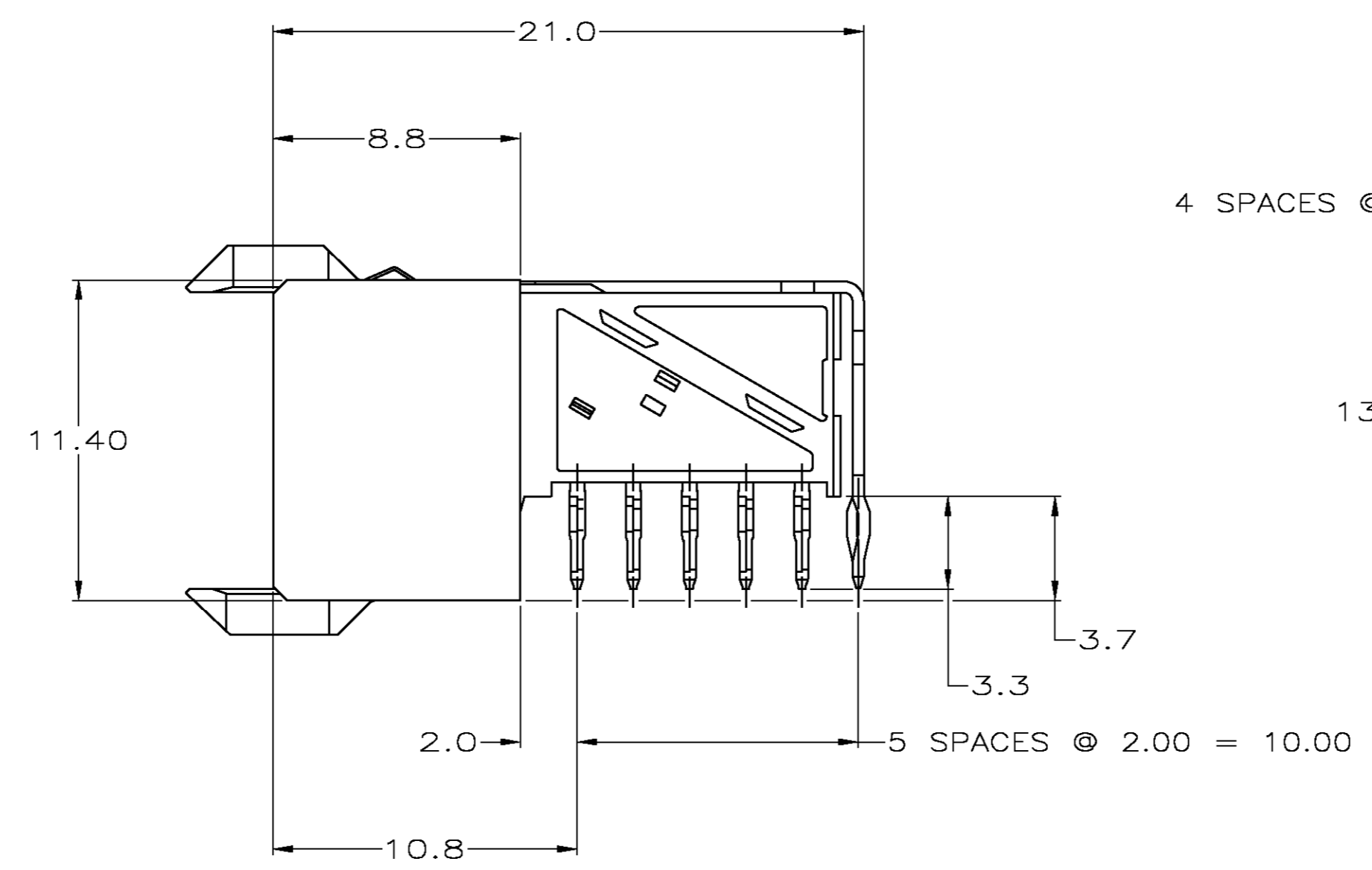
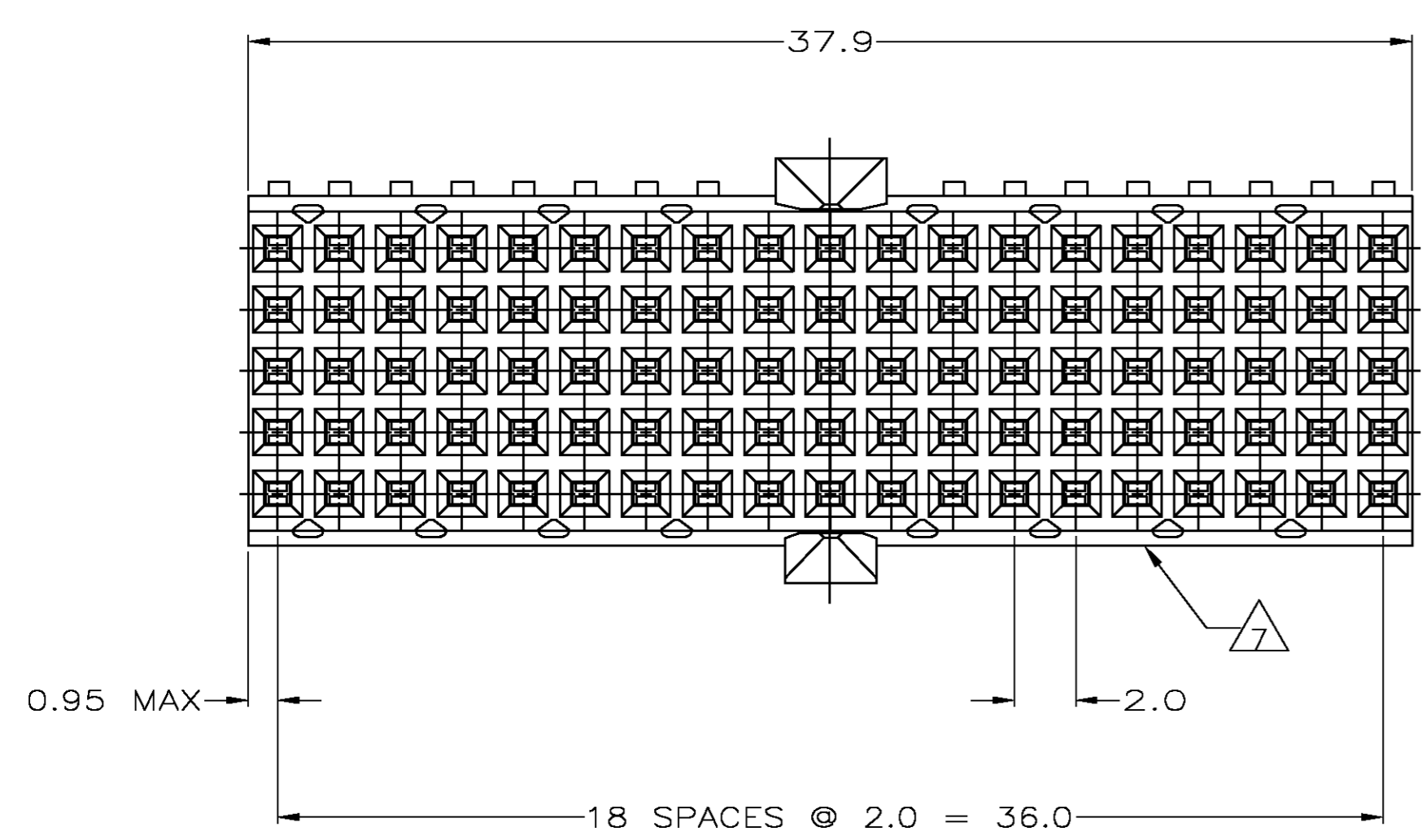
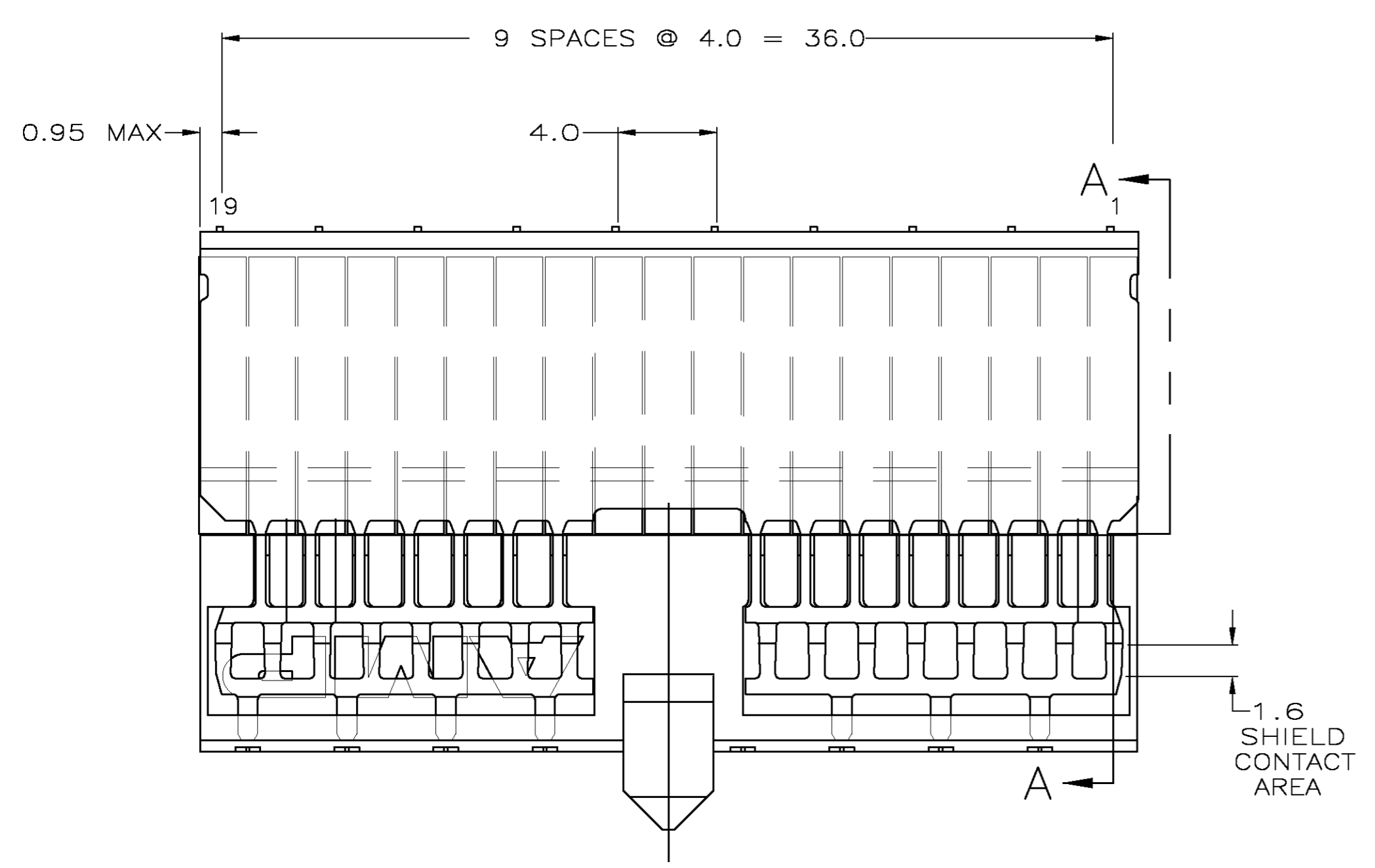


LOC		DIST		REVISIONS			
IF	LTR	DESCRIPTION	DATE	DWN	APVD		
D1		ECR-07-030919	21DEC2007	JvH	BM		



RECOMMENDED PCB-HOLE LAYOUT
COMPONENT SIDE SHOWN
SCALE 2.5:1

PLATED THRU HOLES PARAMETERS
REFERENCE APPLICATION SPECIFICATION

- 1 MATERIAL:
CONTACT: PHOSPHOR BRONZE.
HOUSING: GLASS-FILLED POLYESTER.
- 2 GENERAL PLATING SPECIFICATION: UNDERPLATING
(ENTIRE CONTACT): 1.27µm MIN NICKEL AND ACTION
PIN: 0.5µm MIN TIN/LEAD.
FOR PLATING OF MATING SURFACES SEE APPLICABLE
SPECIFICATION REFERENCE FOR EACH DASH NUMBER.
- 3 CONFORMS TO ALL TESTING ACCORDING TO IEC 61076-4-101
PERFORMANCE LEVEL 2.
- 4 CONFORMS TO ALL TESTING ACCORDING TO IEC 61076-4-101
PERFORMANCE LEVEL 1.
- 5 CONNECTOR TESTED AND QUALIFIED AGAINST TELCORDIA GR-1217-CORE QUALITY LEVEL 3,
CENTRAL OFFICE APPLICATIONS.
- 6 CONNECTOR TESTED AND QUALIFIED AGAINST TELCORDIA GR-1217-CORE QUALITY LEVEL 3,
UNCONTROLLED ENVIROMENT APPLICATIONS.
- 7 CONNECTOR MARKED WITH PART NUMBER AND DATE CODE.
ADDITIONAL CHARACTERS OR MARKINGS, AS WELL AS THE LOCATION OF THE MARKINGS,
MAY BE ADDED FOR TRACEABILITY BASED UPON MANUFACTURERS DISCRETION.
- 8 PLATED-THROUGH HOLES AT 2x2mm SQUARE GRID
PATTERN DEFINED BY CONTACT LAYOUT.
- 9 CONNECTOR LUBRICATED WITH TELCORDIA APPROVED LUBRICANT,
TECHNICAL REFERENCE: TR-NWT-001217 ISSUE 1, SEP 1992.
- 10 10 PLATED THROUGH HOLES FOR UPPER SHIELD, ROW F.
11. SHIELD MOUNTED TO CONNECTOR WITH DOUBLE SIDED ADHESIVE TAPE OR ADHESIVE.

2 6 9	1-646488-9
2 5 9	646488-9
2 4	646488-4
2 3	646488-1
FINISH	PART NUMBER

THIS DRAWING IS A CONTROLLED DOCUMENT.

DWN: B CARBO 06DEC05
CHK: G SKIPPER 06DEC05
APPD: G SKIPPER 06DEC05

Tyco Electronics Corporation
's-Hertogenbosch, Nederland

NAME: RECEPTACLE ASSEMBLY, Z-PACK 2mm HM, TYPE A/B, PRE-SHIELDED, 95 POSITION

PRODUCT SPEC: --
APPLICATION SPEC: --
WEIGHT: --

SIZE: A1
CAGE CODE: 00779
DRAWING NO: 646488

RESTRICTED TO: --

CUSTOMER DRAWING

SCALE: 5:1 SHEET 1 OF 1 REV D1