

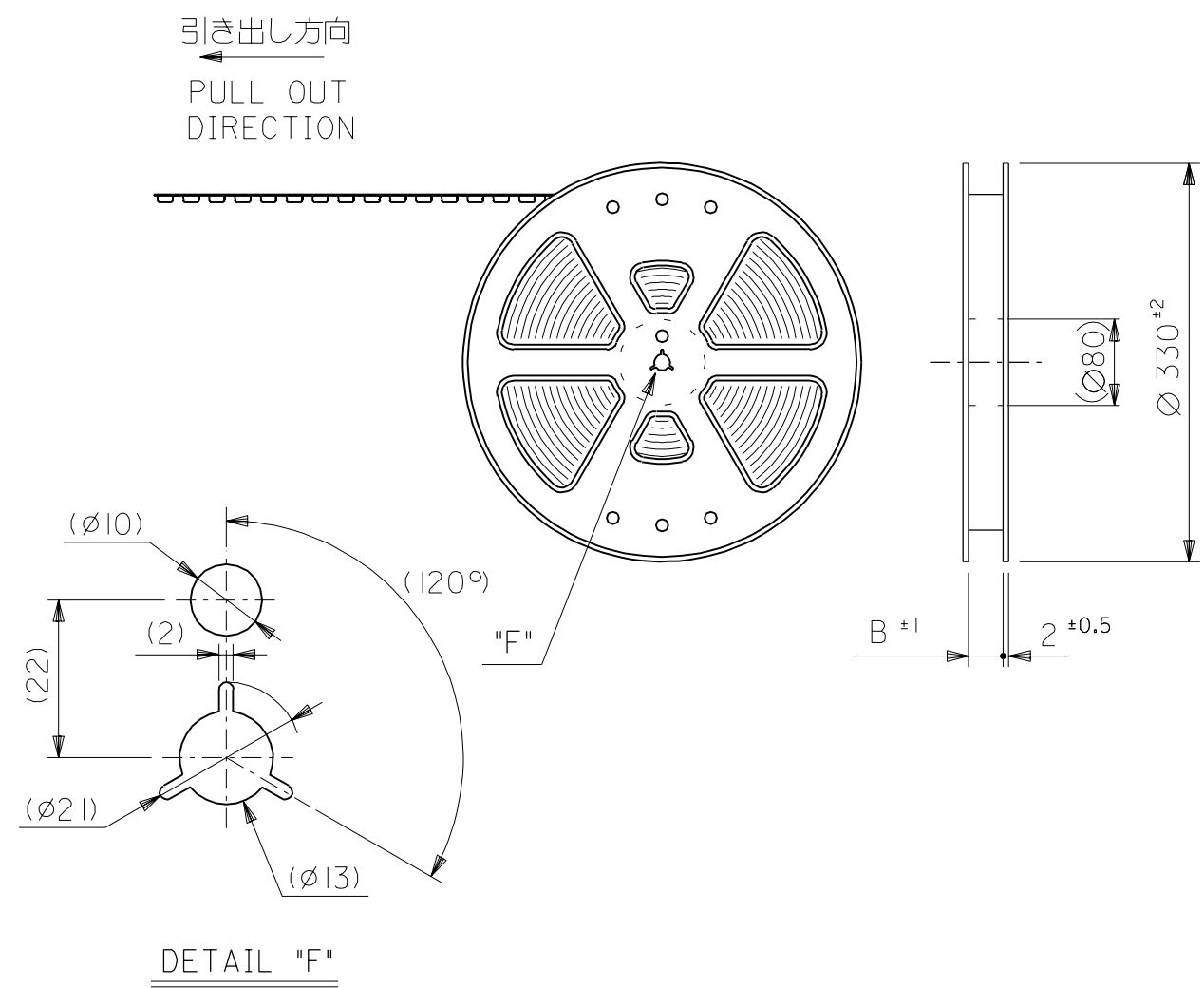
注記 NOTES:

1. 使用材料 MATERIAL
 ウェハー: 液晶ポリマー ガラス充填 ,UL94V-0(黒)
 WAFER : LIQUID CRYSTAL POLYMER
 (GLASS FILLED), UL94V-0 (COLOR: BLACK)
 ピン : 黄銅 (t=0.15)
 PIN : BRASS (t=0.15)
2. メッキ仕様 PLATING
 金メッキ 0.25 MICROMETER MINIMUM (コンタクト部)
 GOLD 0.25 MICROMETER MINIMUM (CONTACT AREA).
 金メッキ 0.4 MICROMETER MAXIMUM (テール部)
 GOLD 0.4 MICROMETER MAXIMUM (TAIL AREA).
 下地メッキ: ニッケルメッキ 1.5 MICROMETER MINIMUM
 UNDER PLATING : NICKEL 1.5 MICROMETER MINIMUM.
3. (全極数/2) = 偶数の場合に適用。
 APPLY FOR (CIRCUIT/2)=EVEN.
4. 嵌合相手: 54722 シリーズ, 54037 シリーズ
 MATE WITH : 54722 SERIES, 54037 SERIES.
5. テール平坦度は、0.1 MAXIMUM
 TAIL COPLANARITY TO BE 0.1 MAXIMUM.

嵌合断面図 (参考)
 MATED DRAWING (REF.)

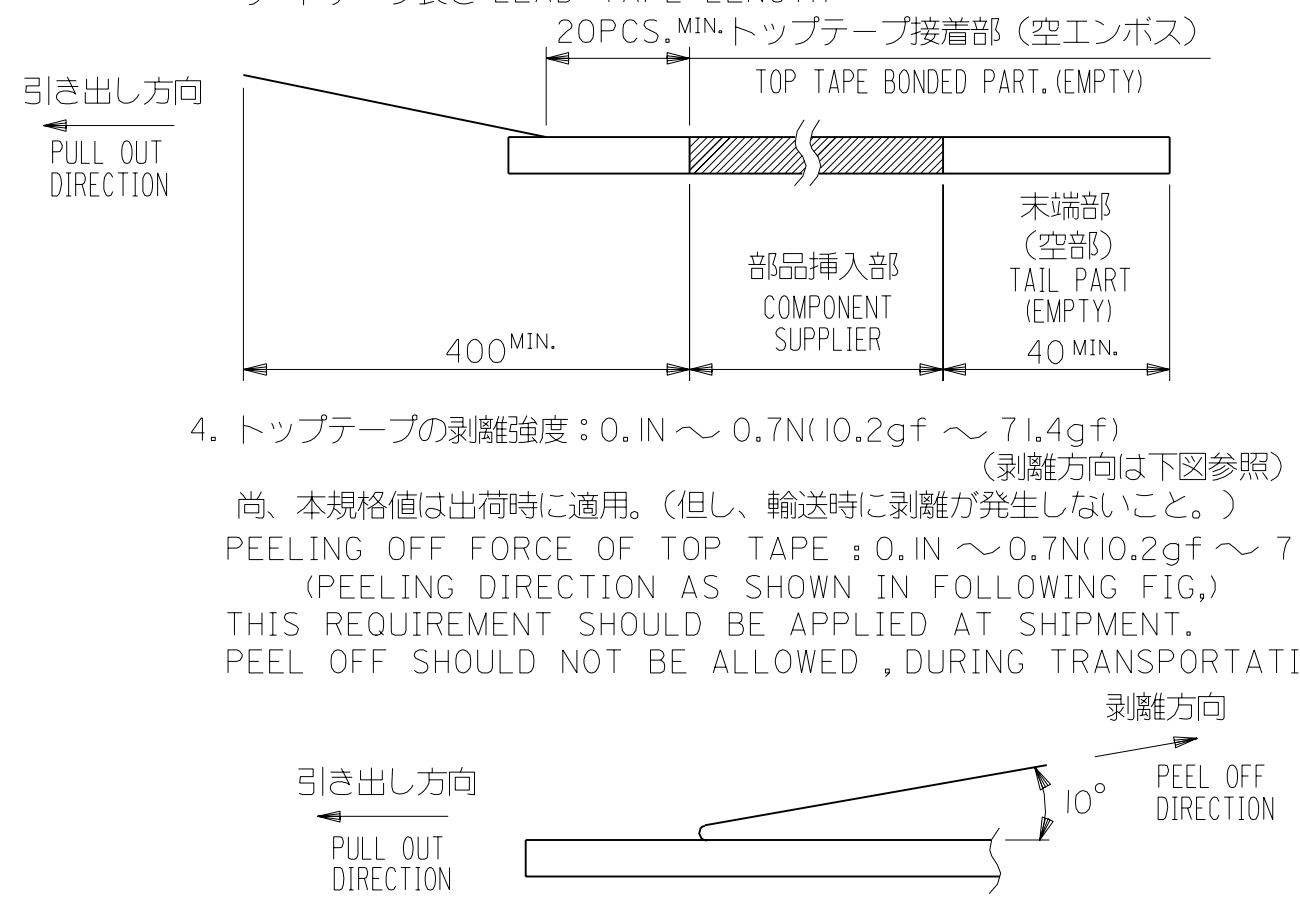
REVISED EC NO: J2012-0135 DRWN: YON002 CHKD: TASAKAWA APPR: MSASAO	DESCRIPTION 2011/07/01 2011/07/01 2011/07/29	GENERAL TOLERANCES (UNLESS SPECIFIED)		DIMENSION STYLE MM ONLY	SCALE ---	DESIGN UNITS METRIC	THIRD ANGLE PROJECTION
		10 UNDER	± 0.20	DRAWN BY SAIHARA	DATE 2000/10/05	TITLE 0.5 B-T-O-B CONN PLUG ASSY (HGT=1.5)	
		10 OVER 30 UNDER	± 0.25	CHECKED BY MSASAO	DATE 2003/03/31	MOLEX INCORPORATED	
		30 OVER	± 0.30	APPROVED BY MSASAO	DATE 2003/03/31	MATERIAL NO. SEE SHEET 1	DOCUMENT NO. SD-55560-006
K	REV	ANGULAR ±3 ° DRAFT WHERE APPLICABLE MUST REMAIN WITHIN DIMENSIONS		THIS DRAWING CONTAINS INFORMATION THAT IS PROPRIETARY TO MOLEX INCORPORATED AND SHOULD NOT BE USED WITHOUT WRITTEN PERMISSION			

DWG. NO. SD-55560-008



NOTES

- 製品詳細寸法については図面 SD-55560-006 を参照下さい。
RE DETAILED DIMENSION, SEE SD-55560-006
- 梱包数量：2000個/リール
NUMBER OF CONNECTORS : 2000PCS/REEL
- リードテープ長さ LEAD TAPE LENGTH
20PCS. MIN. トップテープ接着部 (空エンボス)
TOP TAPE BONDED PART. (EMPTY)
部品挿入部 COMPONENT SUPPLIER
末端部 (空部) TAIL PART (EMPTY)
400 MIN. 40 MIN.
- トップテープの剥離強度：0.1N ~ 0.7N (10.2gf ~ 71.4gf)
(剥離方向は下図参照)
尚、本規格値は出荷時に適用。(但し、輸送時に剥離が発生しないこと。)
PEELING OFF FORCE OF TOP TAPE : 0.1N ~ 0.7N (10.2gf ~ 71.4gf)
(PEELING DIRECTION AS SHOWN IN FOLLOWING FIG.)
THIS REQUIREMENT SHOULD BE APPLIED AT SHIPMENT.
PEEL OFF SHOULD NOT BE ALLOWED , DURING TRANSPORTATION.

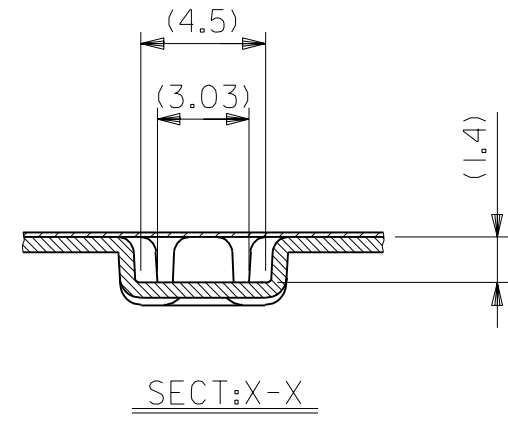
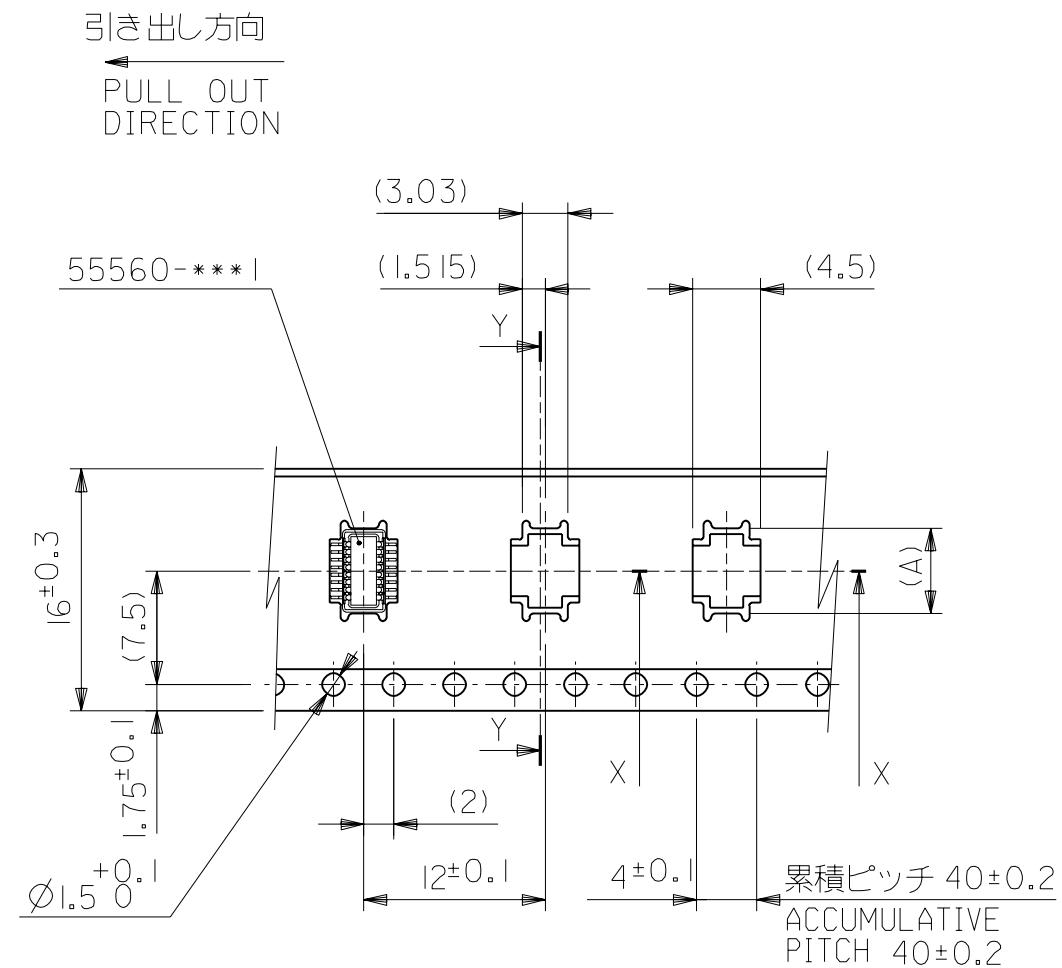
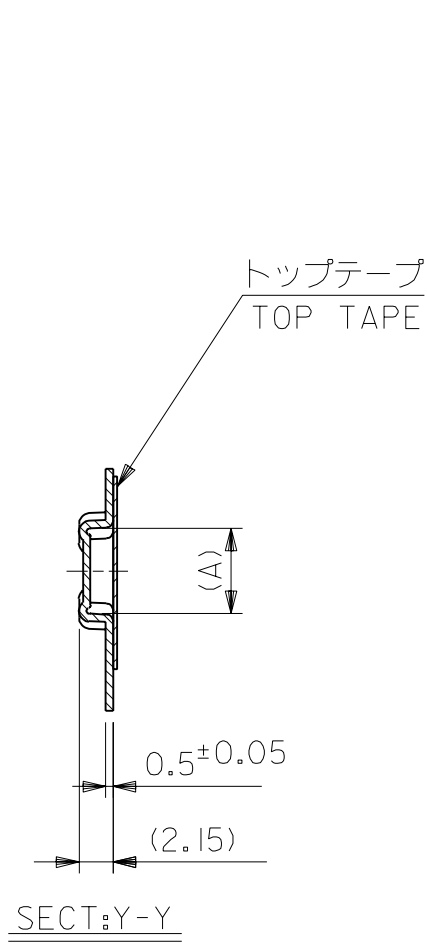


- 材料
キャリアテープ：ポリプロピレン (PP)
トップテープ：PET, PE, PEF
リール：ポリスチレン (PS) <リサイクル材を含む>

MATERIAL CARRIER TAPE: POLYPROPYLENE
TOP TAPE: PET, PE, PEF
REEL: POLYSTYREN (PS)
<RECYCLE MATERIAL CONTAINED>

DO NOT SCALE DRAWING

064 NO. DRWN: CH'K: APPR:	063 NO. DRWN: CH'K: APPR:	062 NO. DRWN: CH'K: APPR:	REVISED 061 NO. JC2001-0604 DRWN: R. SHIINA '01/01/30 CH'K: T. ITO APPR: M. FUKUSHIMA	PROPOSED 060 NO. JC2001-0402 DRWN: S. AIHARA '00/11/28 CH'K: T. ITO APPR: M. FUKUSHIMA	MATERIAL 材料 注記参照 SEE NOTES	GENERAL TOLERANCES: (UNLESS SPECIFIED) 一般公差	SCALE //	MODEL NO. 55560-***8	DIMENSIONS: <input type="checkbox"/> mm <input type="checkbox"/> INCH <input checked="" type="checkbox"/> mm ONLY	SHT REV
			FINISH 仕上げ //	10 UNDER 未満 ±0.2 10 OVER 以上 30 UNDER 未満 ±0.25 30 OVER 以上 ±0.3	DRAWN BY & DATE S. AIHARA '00/11/28 CHECKED BY & DATE T. ITO '01/01/30 APPROVED BY & DATE M. FUKUSHIMA '01/01/30	TITLE: 0.5 B-To-B Conn PLUG Assy (Hgt=1.5) Embstp Pkg	<input type="checkbox"/> mm <input type="checkbox"/> INCH <input checked="" type="checkbox"/> mm ONLY	ADVISE ON CAD ONLY		
			WIRE RANGE 適用電線範囲 //	ANGLE 角度 ±3°	CAD FILENAME 55560008.S01	MATERIAL NO. SEE CHART	DRAWING NO. SD-55560-008	SHEET NO. 1 OF 3		
			INS. RANGE 被覆外径 //	THIS DRAWING CONTAINS INFORMATION THAT IS PROPRIETARY TO MOLEX INCORPORATED AND SHOULD NOT BE USED WITHOUT WRITTEN PERMISSION.	MOLEX MOLEX INCORPORATED	SIZE B				



16mm幅キャリアテープ
16mm WIDTH CARRIER TAPE

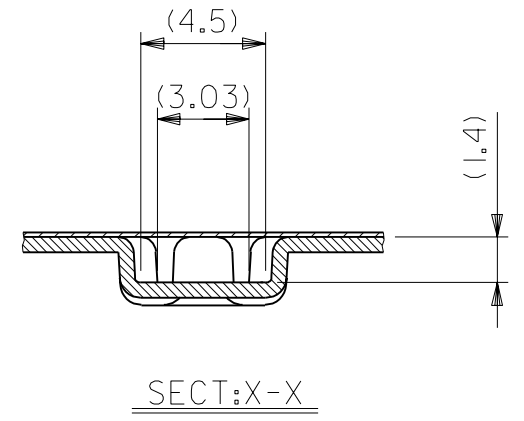
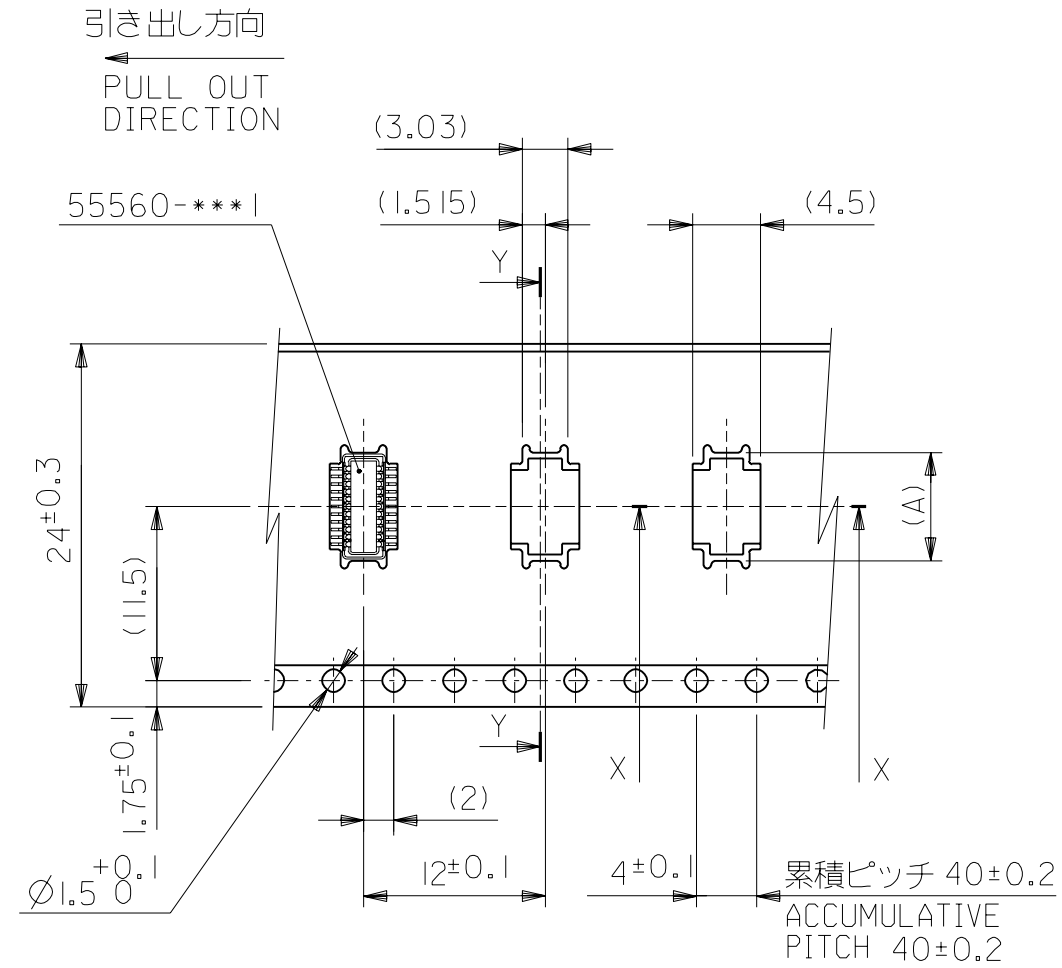
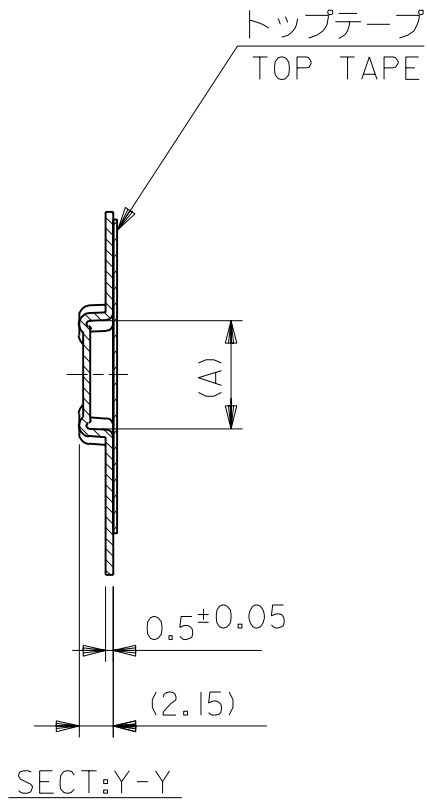
16	17.5	5.65	55560-0168	16
キャリアテープ幅 CARRIER TAPE WIDTH	B	(A)	MATERIAL NO.	極数 CIRCUIT
MODEL NO.	55560-***8		DIMENSIONS:	SHT REV
	<input type="checkbox"/> mm	<input type="checkbox"/> INCH	<input checked="" type="checkbox"/> mm	<input checked="" type="checkbox"/> INCH
	<input type="checkbox"/> mm	<input type="checkbox"/> mm	<input checked="" type="checkbox"/> ONLY	<input checked="" type="checkbox"/> CAD ONLY

DO NOT SCALE DRAWING

REV	DESCRIPTION	MATERIAL 材料	GENERAL TOLERANCES: (UNLESS SPECIFIED) 一般公差
A	REVISED JC2001-0604 DRWN: R.SHIINA '01/01/30 CH'K: T.ITO APPR: M.FUKUSHIMA	SHEET 1 OF 3 参照 REFER TO SHEET 1 OF 3	10 UNDER 未満 ±0.2
O	PROPOSED JC2001-0402 DRWN: S.AIHARA '00/11/28 CH'K: T.ITO APPR: M.FUKUSHIMA	FINISH 仕上げ	10 OVER 以上 30 UNDER 未満 ±0.25
		WIRE RANGE 適用電線範囲	30 OVER 以上 ±0.3
		INS. RANGE 被覆外径	ANGLE 角度 ±3°

SCALE	DESIGN UNITS	PROJECTION	TITLE:
//	<input checked="" type="checkbox"/> mm <input type="checkbox"/> INCH	<input checked="" type="checkbox"/> FIRST ANGLE	0.5 B-To-B Conn PLUG Assy (Hgt=1.5) Embstp Pkg
DRAWN BY & DATE S.AIHARA '00/11/28		APPROVED BY & DATE M.FUKUSHIMA '01/01/30	
CHECKED BY & DATE T.ITO '01/01/30		MATERIAL NO. SEE CHART	
APPROVED BY & DATE M.FUKUSHIMA '01/01/30		DRAWING NO. SD-55560-008	
CAD FILENAME 55560008.S02		SHEET NO. 2 OF 3	

DRAWING NO. SD-55560-008		SHEET NO. 2 OF 3	
THIS DRAWING CONTAINS INFORMATION THAT IS PROPRIETARY TO MOLEX INCORPORATED AND SHOULD NOT BE USED WITHOUT WRITTEN PERMISSION.			
SIZE B			55560008.S02



24mm幅キャリアテープ
24mm WIDTH CARRIER TAPE

24	25.5	7.15	55560-0228	22
キャリアテープ幅 CARRIER TAPE WIDTH	B	(A)	MATERIAL NO.	極数 CIRCUIT
MODEL NO.	55560-***8		DIMENSIONS:	SHT REV

DO NOT SCALE DRAWING

064 NO. DRWN: CH'K: APPR:	063 NO. DRWN: CH'K: APPR:	062 NO. DRWN: CH'K: APPR:	REVISED 061 NO. JC2001-0604 DRWN: R.SHIINA '01/01/30 CH'K: T.IITO APPR: M.FUKUSHIMA	PROPOSED 060 NO. JC2001-0402 DRWN: S.AIHARA '00/11/28 CH'K: T.IITO APPR: M.FUKUSHIMA	MATERIAL 材料 SHEET 1 OF 2 参照 REFER TO SHEET 1 OF 2	GENERAL TOLERANCES: (UNLESS SPECIFIED) 一般公差	SCALE //	DESIGN UNITS <input checked="" type="checkbox"/> mm <input type="checkbox"/> INCH	20° 2RD ANGLE PROJECTION	DRAWN BY & DATE S.AIHARA '00/11/28	TITLE: 0.5 B-To-B Conn PLUG Assy (Hgt=1.5) Embstp Pkg
			FINISH 仕上げ //	WIRE RANGE 適用電線範囲 //	ANGLE 角度 ±3°	10 UNDER 未満 ±0.2 10 OVER 以上 30 UNDER 未満 ±0.25 30 OVER 以上 ±0.3	CHECKED BY & DATE T.IITO '01/01/30	APPROVED BY & DATE M.FUKUSHIMA '01/01/30			
064 NO. DRWN: CH'K: APPR:	063 NO. DRWN: CH'K: APPR:	062 NO. DRWN: CH'K: APPR:	A	O	REV	INS. RANGE 被覆外径 //	CAD FILENAME 55560008.S03	MATERIAL NO. SEE CHART	DRAWING NO. SD-55560-008	SHEET NO. 3 OF 3	SIZE B

THIS DRAWING CONTAINS INFORMATION THAT IS PROPRIETARY TO MOLEX INCORPORATED AND SHOULD NOT BE USED WITHOUT WRITTEN PERMISSION.