

66591-2 ✓ ACTIVE

AMP | AMP Type IV

TE Internal #: 66591-2

Power Contacts, Contact, 250 VAC, 250 VDC, Gold, 22 – 18 AWG

Wire Size, .3 – .9 mm<sup>2</sup> Wire Size, Wire-to-Wire, 1 Position, Wire &

Cable, AMP Type IV

[View on TE.com >](#)



Connectors > Power Connectors > Power Contacts



Power Contact Type: **Contact**

Operating Voltage: **250 VDC**

Contact Mating Area Plating Material: **Gold**

Wire Size: **22 – 18 AWG**

## Features

### Product Type Features

Power Contact Type	Contact
Connector System	Wire-to-Wire
Sealable	No
Connector & Contact Terminates To	Wire & Cable

### Configuration Features

Number of Positions	1
---------------------	---

### Electrical Characteristics

Test Current	13 A
Operating Voltage	250 VDC

### Contact Features

Contact Mating Area Plating Material	Gold
Contact Current Rating (Max)	1.8 A
Contact Type	Pin
Contact Retention Within Housing	With
Mating Pin Diameter	1.57 mm[.062 in]
Contact Base Material	Brass
Contact Mating Area Plating Material Thickness	.76 µm[30 µin]
Contact Mating Area Plating Material Finish	Bright
Wire Contact Termination Area Plating Thickness	1.27 µm[50 µin]



Wire Contact Termination Area Plating Material	Tin-Lead
Wire Contact Termination Area Plating Material Finish	Bright
Contact Orientation	Straight
Contact Underplating Material	Nickel
Contact Underplating Material Thickness	1.27 µm[50 µin]
Barrel Type	Open Barrel
Contact Size	16

### Termination Features

Termination Method to Wire & Cable	Crimp
------------------------------------	-------

### Mechanical Attachment

Connector Mounting Type	Panel Mount
Wire Insulation Support	With

### Dimensions

Wire Size	.3 – .9 mm <sup>2</sup>
Accepts Wire Insulation Diameter Range	1.27 – 2.79 mm[.05 – .11 in]

### Usage Conditions

Operating Temperature Range	-55 – 150 °C[-67 – 302 °F]
-----------------------------	----------------------------

### Operation/Application

Circuit Application	Signal
---------------------	--------

### Packaging Features

Packaging Method	Loose Piece
Packaging Quantity	1500

### Other

Wire/Cable Type	Discrete Wire
For Use With	G Series Connectors
Comment	Wire strip length-- 3.96 [.156] for all wire sizes.

### Product Compliance

For compliance documentation, visit the product page on [TE.com](#)>

EU RoHS Directive 2011/65/EU	Not Compliant
EU ELV Directive 2000/53/EC	Not Compliant

China RoHS 2 Directive MIIT Order No 32, 2016

Restricted Materials Above Threshold

EU REACH Regulation (EC) No. 1907/2006

Current ECHA Candidate List: JUNE 2022 (224)

Candidate List Declared Against: JAN 2022 (223)

SVHC &gt; Threshold:

Pb (13% in Component Part)

**Article Safe Usage Statements:**

Do not eat, drink or smoke when using this product. Wash thoroughly after handling. Recycle if possible and dispose of the article by following all applicable governmental regulations relevant to your geographic location.

Halogen Content

Low Halogen - Br, Cl, F, I &lt; 900 ppm per homogenous material. Also BFR/CFR/PVC Free

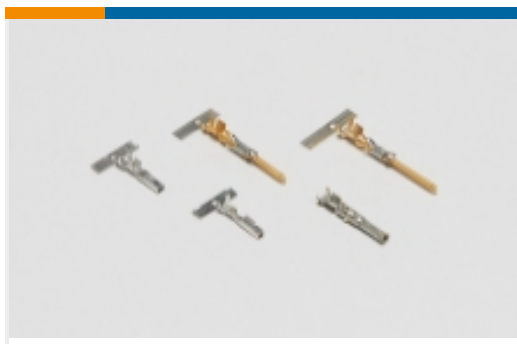
Solder Process Capability

Not applicable for solder process capability

**Product Compliance Disclaimer**

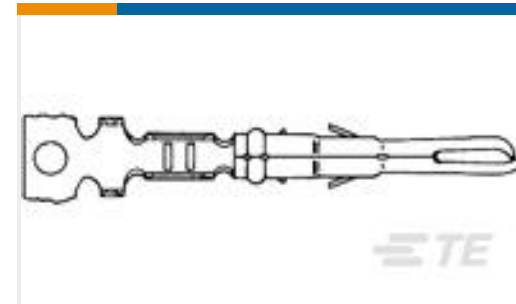
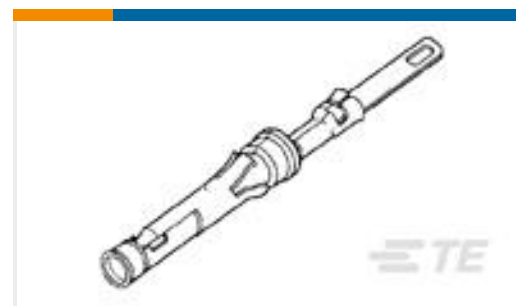
This information is provided based on reasonable inquiry of our suppliers and represents our current actual knowledge based on the information they provided. This information is subject to change. The part numbers that TE has identified as EU RoHS compliant have a maximum concentration of 0.1% by weight in homogenous materials for lead, hexavalent chromium, mercury, PBB, PBDE, DBP, BBP, DEHP, DIBP, and 0.01% for cadmium, or qualify for an exemption to these limits as defined in the Annexes of Directive 2011/65/EU (RoHS2). Finished electrical and electronic equipment products will be CE marked as required by Directive 2011/65/EU. Components may not be CE marked. Additionally, the part numbers that TE has identified as EU ELV compliant have a maximum concentration of 0.1% by weight in homogenous materials for lead, hexavalent chromium, and mercury, and 0.01% for cadmium, or qualify for an exemption to these limits as defined in the Annexes of Directive 2000/53/EC (ELV). Regarding the REACH Regulation, the information TE provides on SVHC in articles for this part number is based on the latest European Chemicals Agency (ECHA) 'Guidance on requirements for substances in articles' posted at this URL: <https://echa.europa.eu/guidance-documents/guidance-on-reach>

**Compatible Parts**Also in the Series | **AMP Type IV**



Power Contacts(52)

## Customers Also Bought

TE Part #32456  
PIDG HK 22-16 COMM 22-18 MIL 8TE Part #2-322870-2  
STRATO-THERM, HR 2 5/16 NIPLTE Part #322870-1  
TERMINAL, SOLIS R 2 5/16 90DEGTE Part #640545-2  
MR SPLIT PIN 26-18 AUPHBRZ LPTE Part #66593-4  
TYPE VI PIN, MULTI-MATE, L.P.TE Part #2-87456-2  
26 MODIV HSG DR MRKD .100CLTE Part #202237-4  
III+ SKT, SOLTAB, TIN-LEAD, SMPACTE Part #1-1437558-3  
MTA106EPC=(MSTA) SW TOG P/C TETE Part #3-1437558-6  
MTA306DPC=(MSTA) SW TOG P/C TE

## Documents

### Product Drawings

TYPE VI PIN, MULTI-MATE, L.P.

English

### CAD Files

3D PDF

3D

Customer View Model

ENG\_CVM\_CVM\_66591-2\_J.2d\_dxf.zip



English

**Customer View Model**

[ENG\\_CVM\\_CVM\\_66591-2\\_J.3d\\_igs.zip](#)

English

**Customer View Model**

[ENG\\_CVM\\_CVM\\_66591-2\\_J.3d\\_stp.zip](#)

English

By downloading the CAD file I accept and agree to the [Terms and Conditions](#) of use.

---

### Product Specifications

[Application Specification](#)

Japanese

[Application Specification](#)

English

---

### Instruction Sheets

[Instruction Sheet \(U.S.\)](#)

Japanese

[Instruction Sheet \(U.S.\)](#)

English