

# 61012-3 ✓ ACTIVE

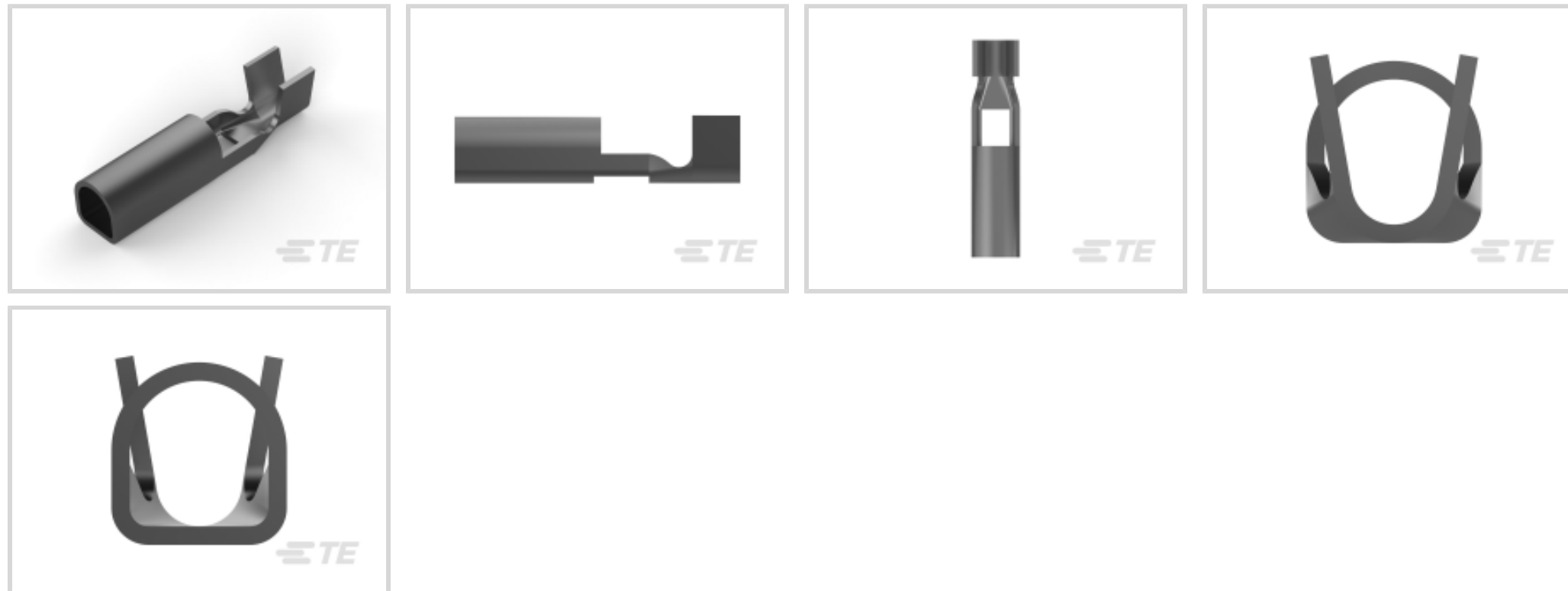
TE Internal #: 61012-3

Crimp Wire Pins, Tabs & Ferrules, Receptacle, Pin Diameter 2.77 mm [.109 in], 18 – 14 AWG Wire Size, .8 – 2 mm<sup>2</sup> Wire Size, 1624 – 4106 CMA Wire Size

[View on TE.com >](#)



Terminals & Splices > Crimp Wire Pins, Tabs & Ferrules



Crimp Wire Pin, Tab & Ferrule Terminal Type: **Receptacle**

Pin Diameter: **2.77 mm [.109 in]**

Wire Size: **1624 – 4106 CMA**

## Features

### Product Type Features

Compatible With Discrete Wire Type      Solid, Stranded

### Configuration Features

Compatible With Wire & Cable Type      Discrete Wire

### Contact Features

Crimp Wire Pin, Tab & Ferrule Terminal Type      Receptacle

Barrel Type      Open

Terminal Plating Material      Tin

Terminal Orientation      Straight

### Mechanical Attachment

Wire Insulation Support      Without

### Dimensions

Pin Diameter      2.77 mm [.109 in]

Wire Size      1624 – 4106 CMA

Barrel Inside Diameter      1.65 mm [.065 in]

Terminal Material Thickness      .35 mm [.014 in]

Overall Product Length      16.38 mm [.645 in]



### Usage Conditions

Insulation Option	Uninsulated
-------------------	-------------

### Packaging Features

Packaging Quantity	15000
Packaging Method	Reel

### Other

Comment	Can be molded.
---------	----------------

### Product Compliance

[For compliance documentation, visit the product page on TE.com>](#)

EU RoHS Directive 2011/65/EU	Compliant
EU ELV Directive 2000/53/EC	Compliant
China RoHS 2 Directive MIIT Order No 32, 2016	No Restricted Materials Above Threshold
EU REACH Regulation (EC) No. 1907/2006	Current ECHA Candidate List: JUNE 2022 (224) Candidate List Declared Against: JAN 2022 (223) SVHC > Threshold: Not Yet Reviewed
Halogen Content	Low Halogen - Br, Cl, F, I < 900 ppm per homogenous material. Also BFR/CFR/PVC Free
Solder Process Capability	Not applicable for solder process capability

#### Product Compliance Disclaimer

This information is provided based on reasonable inquiry of our suppliers and represents our current actual knowledge based on the information they provided. This information is subject to change. The part numbers that TE has identified as EU RoHS compliant have a maximum concentration of 0.1% by weight in homogenous materials for lead, hexavalent chromium, mercury, PBB, PBDE, DBP, BBP, DEHP, DIBP, and 0.01% for cadmium, or qualify for an exemption to these limits as defined in the Annexes of Directive 2011/65/EU (RoHS2). Finished electrical and electronic equipment products will be CE marked as required by Directive 2011/65/EU. Components may not be CE marked. Additionally, the part numbers that TE has identified as EU ELV compliant have a maximum concentration of 0.1% by weight in homogenous materials for lead, hexavalent chromium, and mercury, and 0.01% for cadmium, or qualify for an exemption to these limits as defined in the Annexes of Directive 2000/53/EC (ELV). Regarding the REACH Regulation, the information TE provides on SVHC in articles for this part number is based on the latest European Chemicals Agency (ECHA) 'Guidance on requirements for substances in articles' posted at this URL: <https://echa.europa.eu/guidance-documents/guidance-on-reach>

### Compatible Parts




TE Part # 62616-1  
PIN .109 (2.77MM) 18-14 AWG 016BR



TE Part # 140712-2  
PIN .155 DIA REC 18-14 AWG TPBR



TE Part # 1217142-1  
SHUR PLUG 180 12-8 AWG TPBR



TE Part # 2-2150097-1  
OCEAN-2.0-APPLICATOR-E-100F



TE Part # 2-2150097-2  
OCEAN-2.0-APPLICATOR-E-100FA



TE Part # 2150097-1  
OCEAN-2.0-APPLICATOR-E-100F



TE Part # 2150097-2  
OCEAN-2.0-APPLICATOR-E-100FA



TE Part # 7-2150097-1  
OCEAN-2.0-APPLICATOR-E-100F

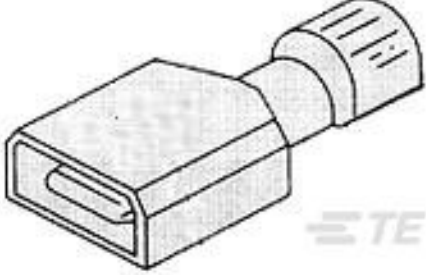


TE Part # 7-2150097-2  
OCEAN-2.0-APPLICATOR-E-100FA



TE Part # 7-2150097-7  
OCEAN\_2.0\_SPARE\_PART\_KIT-100F

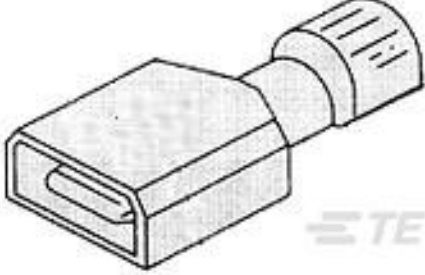
### Customers Also Bought



TE Part #4-521097-2  
ULTRA-FAST 250 ASY TAB 12-10 AWG TPBR



TE Part #626063  
1 WAY FASTIN-ON 110 HSG TAB NAT NYLON




TE Part #2-520102-2  
ULTRA-FAST 250 ASSEMBLY TAB 22-18 AWG BR



TE Part #770007-1  
UMNL II PIN PTPBR



TE Part #42400-2  
250 FASTON REC 18-14 AWG TPBR



TE Part #640052-1  
RING 18-14 AWG SST



TE Part #42742-2  
250 FASTON FLAG REC 18-12 AWG TPBR



TE Part #62244-3  
125 PIN RCPT 18-16



## Documents

### Product Drawings

[PIN .109 RECEPTACLE 18-14 AWG TPBR](#)

English

### CAD Files

[3D PDF](#)

3D

[Customer View Model](#)

[ENG\\_CVM\\_CVM\\_61012-3\\_Z.2d\\_dxf.zip](#)

English

[Customer View Model](#)

[ENG\\_CVM\\_CVM\\_61012-3\\_Z.3d\\_igs.zip](#)

English

[Customer View Model](#)

[ENG\\_CVM\\_CVM\\_61012-3\\_Z.3d\\_stp.zip](#)

English

By downloading the CAD file I accept and agree to the [Terms and Conditions](#) of use.

### Product Specifications

[Application Specification](#)

English

[Pin Receptacle Contact With Closed Seam](#)

English

### Product Environmental Compliance

[Product Compliance](#)

English

[Product Compliance](#)

English