

63733-3 ✓ ACTIVE

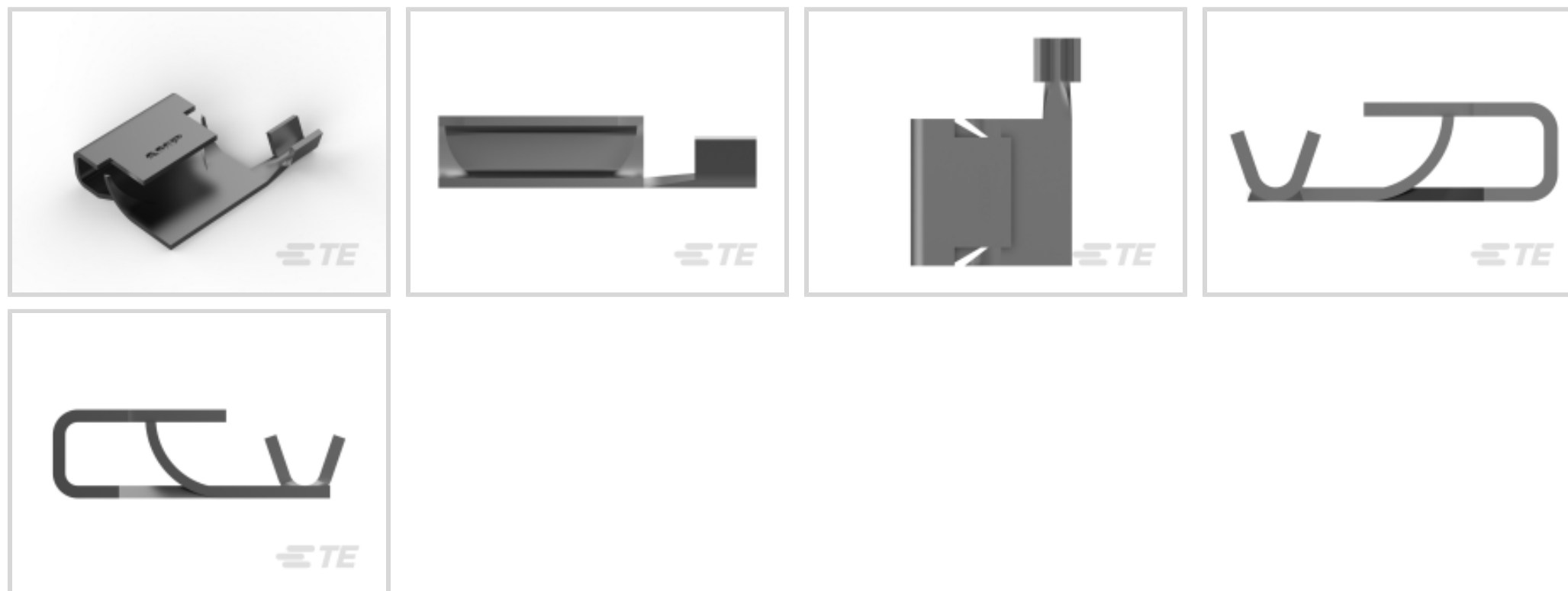
TE Internal #: 63733-3

Special Purpose Terminals, Grounding Clip, 22 – 18 AWG Wire Size, .3 – .79 mm² Wire Size, Tin Plating, Length 15.75 mm [.62 in], Reel, Open, Flag

[View on TE.com >](#)



Terminals & Splices > Special Purpose Terminals



Special Purpose Terminal Type: **Grounding Clip**

Heavy Duty: **No**

Wire Size: **.3 – .79 mm²**

Terminal Material Thickness: **.51 mm [.02 in]**

Features

Product Type Features

Wire/Cable Type	Discrete Wire
Wire Insulation Support Retention Type	Non-Insulation Support
Sealable	No

Contact Features

Special Purpose Terminal Type	Grounding Clip
Terminal Plating Material	Tin
Barrel Type	Open
Terminal Orientation	Flag

Mechanical Attachment

Wire Insulation Support	Without
-------------------------	---------

Dimensions

Wire Size	.3 – .79 mm ²
Terminal Material Thickness	.51 mm [.02 in]
Overall Product Length	15.75 mm [.62 in]

Usage Conditions



Insulation Option	Uninsulated
Operating Temperature Range	-40 – 105 °C[-40 – 221 °F]

Operation/Application

Heavy Duty	No
------------	----

Packaging Features

Packaging Quantity	10000
Packaging Method	Reel

Product Compliance

[For compliance documentation, visit the product page on TE.com>](#)

EU RoHS Directive 2011/65/EU	Compliant
EU ELV Directive 2000/53/EC	Compliant
China RoHS 2 Directive MIIT Order No 32, 2016	No Restricted Materials Above Threshold
EU REACH Regulation (EC) No. 1907/2006	Current ECHA Candidate List: JUNE 2022 (224) Candidate List Declared Against: JAN 2022 (223) SVHC > Threshold: Not Yet Reviewed
Halogen Content	Low Halogen - Br, Cl, F, I < 900 ppm per homogenous material. Also BFR/CFR/PVC Free
Solder Process Capability	Not applicable for solder process capability

Product Compliance Disclaimer

This information is provided based on reasonable inquiry of our suppliers and represents our current actual knowledge based on the information they provided. This information is subject to change. The part numbers that TE has identified as EU RoHS compliant have a maximum concentration of 0.1% by weight in homogenous materials for lead, hexavalent chromium, mercury, PBB, PBDE, DBP, BBP, DEHP, DIBP, and 0.01% for cadmium, or qualify for an exemption to these limits as defined in the Annexes of Directive 2011/65/EU (RoHS2). Finished electrical and electronic equipment products will be CE marked as required by Directive 2011/65/EU. Components may not be CE marked. Additionally, the part numbers that TE has identified as EU ELV compliant have a maximum concentration of 0.1% by weight in homogenous materials for lead, hexavalent chromium, and mercury, and 0.01% for cadmium, or qualify for an exemption to these limits as defined in the Annexes of Directive 2000/53/EC (ELV). Regarding the REACH Regulation, the information TE provides on SVHC in articles for this part number is based on the latest European Chemicals Agency (ECHA) 'Guidance on requirements for substances in articles' posted at this URL: <https://echa.europa.eu/guidance-documents/guidance-on-reach>

Compatible Parts




TE Part # 63575-1
GROUND CLIP 14-18AWG ST



TE Part # 1986548-1
GROUND CLIP 2X18AWG TPST



TE Part # 2-4150001-1
OCEAN-2.0-APPLICATOR-E-090F



TE Part # 2-4150001-2
OCEAN-2.0-APPLICATOR-E-090FA



TE Part # 4150001-1
OCEAN-2.0-APPLICATOR-E-090F



TE Part # 4150001-2
OCEAN-2.0-APPLICATOR-E-090FA



TE Part # 7-4150001-1
OCEAN-2.0-APPLICATOR-E-090F



TE Part # 7-4150001-2
OCEAN-2.0-APPLICATOR-E-090FA



KIT
REPRESENTATION ONLY

TE Part # 7-4150001-7
OCEAN_2.0_SPARE_PART_KIT-090F

Customers Also Bought



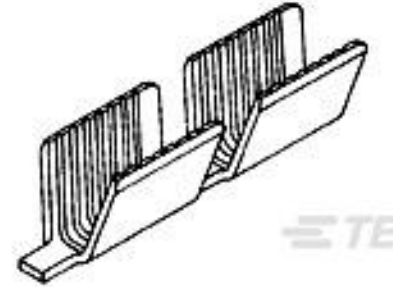
TE Part #60617-5
CMNL SOK AUBR L/P



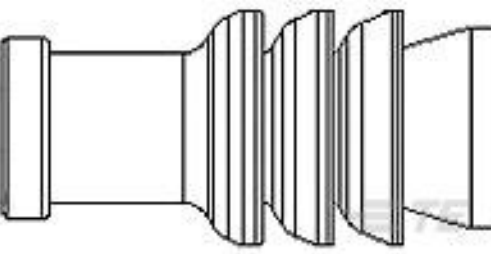
TE Part #1-1393194-5
T77S1D3-12



TE Part #770904-1
MINI UMNL SOK 22-18 AWG SN



TE Part #62000-2
SPLICE AMVAR 600-3000 020TPBR



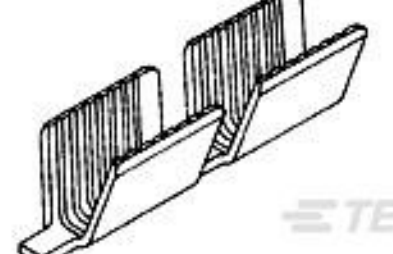
TE Part #967056-1
MQS BLINDSTOPFEN4MM



TE Part #521317-2
ULTRA-POD 250 ASSY REC 18-14 AWG TPBR



TE Part #41532
250 FASTON FLAG REC 18-12 AWG TPBR



TE Part #62001-2
SPLICE AMVAR 3000-7000 020TPBR



Documents

Product Drawings

[GROUND CLIP 18-22AWG TPPBR](#)

English

CAD Files

[3D PDF](#)

3D

Customer View Model

[ENG_CVM_CVM_63733-3_L.2d_dxf.zip](#)

English

Customer View Model

[ENG_CVM_CVM_63733-3_L.3d_igs.zip](#)

English

Customer View Model

[ENG_CVM_CVM_63733-3_L.3d_stp.zip](#)

English

By downloading the CAD file I accept and agree to the [Terms and Conditions](#) of use.

Product Specifications

[Application Specification](#)

English

Product Environmental Compliance

[Product Compliance](#)

English

[Product Compliance](#)

English