

63661-1 ✓ ACTIVE

MAG-MATE

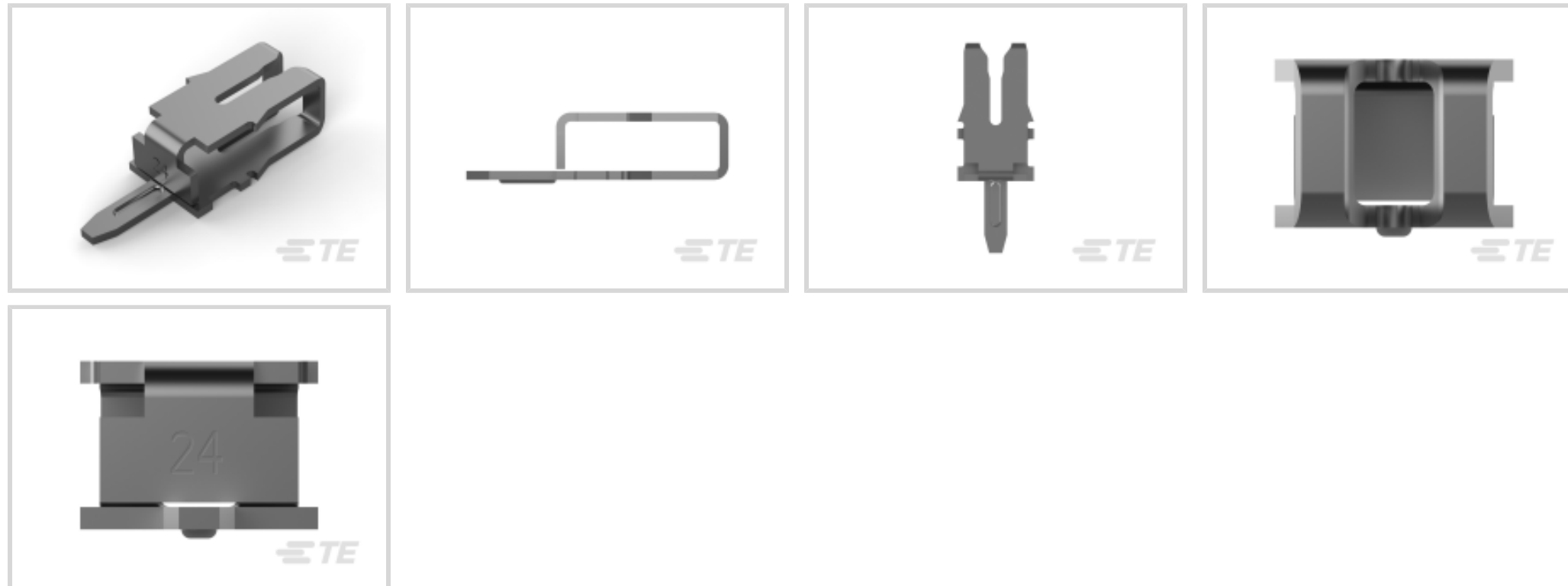
TE Internal #: 63661-1

Magnet Wire Terminals, Solder Post, Size 2, .91 – 1.15 mm Magnet Wire, 19 – 17 AWG Magnet Wire, Insulation Displacement (IDC), Tin Plating, MAG-MATE

[View on TE.com >](#)



Terminals & Splices > Magnet Wire Terminals



Magnet Wire Terminal Type: **Solder Post**

Compatible With Cavity Size: **Size 2**

Magnet Wire Size: **19 – 17 AWG**

Termination Method to Wire & Cable: **Insulation Displacement (IDC)**

Features

Product Type Features

Compatible With Discrete Wire Type	Magnet Wire, Solid
Sealable	No

Body Features

Compatible With Cavity Size	Size 2
-----------------------------	--------

Contact Features

Magnet Wire Terminal Type	Solder Post
Terminal Plating Material	Tin
Contact Underplating Material	Nickel
Terminal Orientation	Straight

Termination Features

Termination Method to Wire & Cable	Insulation Displacement (IDC)
------------------------------------	-------------------------------

Mechanical Attachment

Contact Mating Retention Type	Dimple
-------------------------------	--------

Dimensions



Terminal Height	7.62 mm[.3 in]
Magnet Wire Size	19 – 17 AWG
Stock Thickness (Magnet Wire Side)	.41 mm[.016 in]
Overall Product Length	11.68 mm[.46 in]

Usage Conditions

Insulation Option	Uninsulated
Operating Temperature Range	-65 – 150 °C[-85 – 302 °F]

Operation/Application

Compatible With Wire Base Material	Copper
------------------------------------	--------

Identification Marking

Identification Number	24
-----------------------	----

Packaging Features

Packaging Quantity	13000
Packaging Method	Reel, Reel/Carton

Other

Comment	PC Board hole size 1.27 [.050]., Single magnet wire only.
---------	---

Product Compliance

[For compliance documentation, visit the product page on TE.com>](#)

EU RoHS Directive 2011/65/EU	Compliant
EU ELV Directive 2000/53/EC	Compliant
China RoHS 2 Directive MIIT Order No 32, 2016	No Restricted Materials Above Threshold
EU REACH Regulation (EC) No. 1907/2006	Current ECHA Candidate List: JUNE 2022 (224) Candidate List Declared Against: JAN 2022 (223) SVHC > Threshold: Not Yet Reviewed
Halogen Content	Low Halogen - Br, Cl, F, I < 900 ppm per homogenous material. Also BFR/CFR/PVC Free
Solder Process Capability	Pin-in-Paste capable to 260°C

Product Compliance Disclaimer

This information is provided based on reasonable inquiry of our suppliers and represents our current actual knowledge based on the information they provided. This information is subject to change. The part numbers that TE has identified as EU RoHS compliant have a maximum concentration of 0.1% by weight in homogenous materials for lead, hexavalent chromium, mercury, PBB, PBDE, DBP, BBP, DEHP, DIBP, and 0.01% for cadmium, or qualify for an exemption to these limits as defined in the Annexes of Directive 2011/65/EU (RoHS2). Finished electrical and electronic equipment products will be CE marked as required by Directive 2011/65/EU. Components may not be CE marked. Additionally, the part numbers that TE has identified as EU ELV compliant have a maximum concentration of 0.1% by weight in homogenous materials for lead, hexavalent chromium, and mercury, and 0.01% for cadmium, or qualify for an exemption to these limits as defined in the Annexes of Directive 2000/53/EC (ELV). Regarding the REACH Regulation, the information TE provides on SVHC in articles for this part number is based on the latest European Chemicals Agency (ECHA) 'Guidance on requirements for substances in articles' posted at this URL: <https://echa.europa.eu/guidance-documents/guidance-on-reach>

Compatible Parts



Also in the Series | **MAG-MATE**



Insertion & Extraction Tools(8)

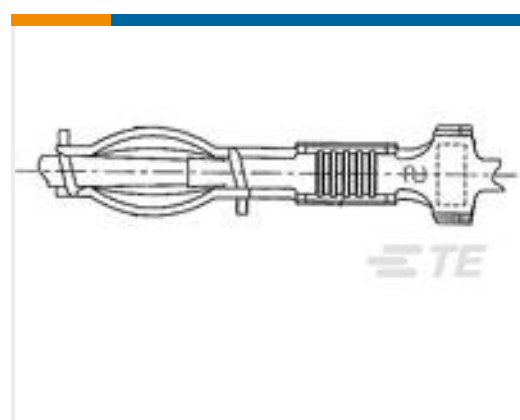


Magnet Wire Terminals(464)



PCB Terminals(1)

Customers Also Bought

TE Part #3-1971794-1
NEW GI CONN2.5 TPA 3P BLACKTE Part #2-1747050-3
Glow Wire GRACE INERTIA PlugTE Part #1903114-2
DYNAMIC D1000 TAB CONT AU 0.38
um 2L REELTE Part #6-917809-3
DYNAMIC D-5 TAB HSG D/R 6P Y-YTE Part #1747995-1
GHC EYELET 6.2 3POS PLUG
HOUSING NATURALTE Part #1123655-1
2.3 DIA CLUSTER AMPLIVER S TINTE Part #1-170823-8
250 FASTON SLEEVE,REC.,
TRANSPARENTTE Part #2825313-1
.090 CLUSTER REC.

Documents

Product Drawings

[MAG-MATE POST 19-17 016TPCUBR](#)

English

CAD Files

[3D PDF](#)

3D

Customer View Model

[ENG_CVM_CVM_63661-1_L.2d_dxf.zip](#)

English

Customer View Model

[ENG_CVM_CVM_63661-1_L.3d_igs.zip](#)

English

Customer View Model

[ENG_CVM_CVM_63661-1_L.3d_stp.zip](#)

English

By downloading the CAD file I accept and agree to the [Terms and Conditions](#) of use.



Datasheets & Catalog Pages

Magnet Wire Terminals & Splices

English

Product Specifications

Application Specification

English

Product Environmental Compliance

Product Compliance

English

Product Compliance

English