

# 63166-4 ✓ ACTIVE

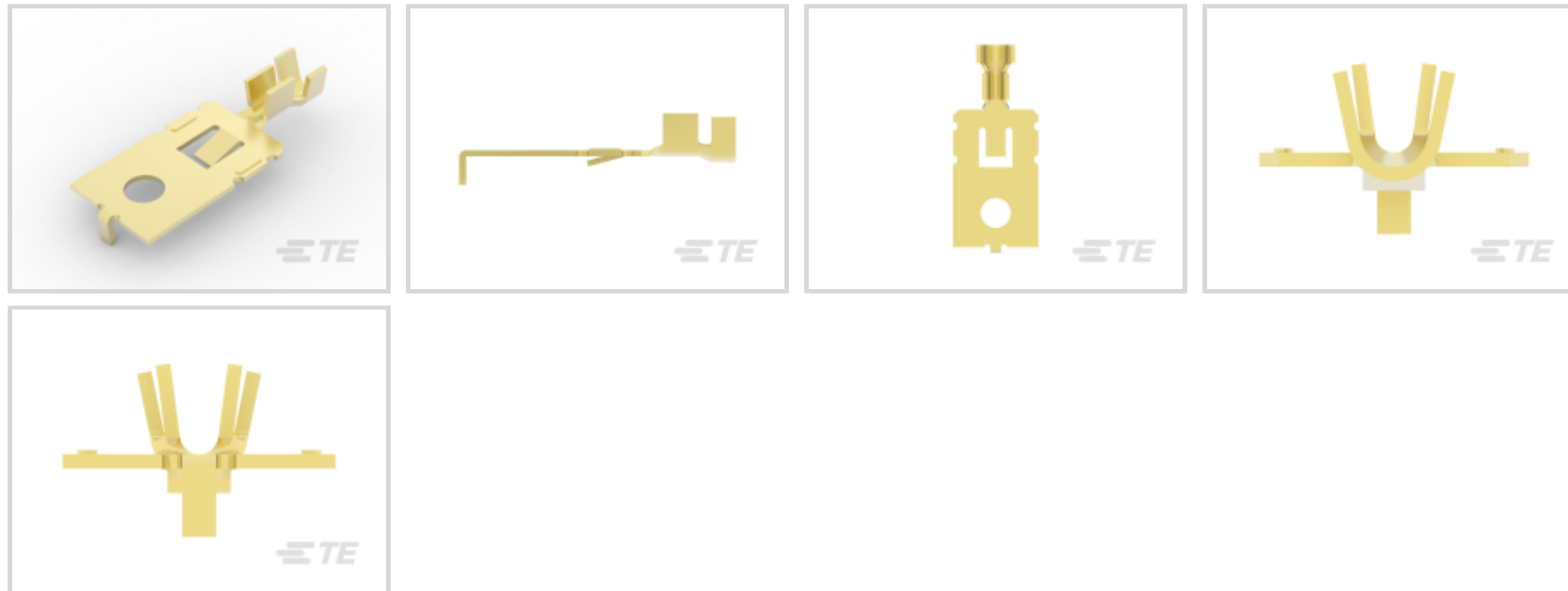
TE Internal #: 63166-4

Special Purpose Terminals, Ring, 16 – 12 AWG Wire Size, 1.3 – 3.3 mm<sup>2</sup> Wire Size, Unplated Plating, Length 34.66 mm [1.364 in], Reel, Open

[View on TE.com >](#)



Terminals & Splices > Special Purpose Terminals



Special Purpose Terminal Type: **Ring**

Heavy Duty: **No**

Wire Size: **1.3 – 3.3 mm<sup>2</sup>**

Terminal Material Thickness: **.76 mm [ .03 in ]**

## Features

### Product Type Features

Wire/Cable Type	Regular Wire
Wire Insulation Support Retention Type	Insulation Support
Sealable	No

### Contact Features

Special Purpose Terminal Type	Ring
Terminal Plating Material	Unplated
Barrel Type	Open
Terminal Orientation	Straight

### Mechanical Attachment

Wire Insulation Support	With
-------------------------	------

### Dimensions

Wire Size	1.3 – 3.3 mm <sup>2</sup>
Terminal Material Thickness	.76 mm [.03 in]
Overall Product Length	34.66 mm [1.364 in]
Accepts Wire Insulation Diameter (Max)	4.06 mm [.16 in]



Accepts Wire Insulation Diameter Range	2.79 – 4.06 mm [.11 – .16 in]
--	-------------------------------

### Usage Conditions

Insulation Option	Uninsulated
-------------------	-------------

### Operation/Application

Heavy Duty	No
------------	----

### Packaging Features

Packaging Quantity	4000
--------------------	------

Packaging Method	Reel
------------------	------

### Product Compliance

[For compliance documentation, visit the product page on TE.com>](#)

EU RoHS Directive 2011/65/EU	Compliant
------------------------------	-----------

EU ELV Directive 2000/53/EC	Compliant
-----------------------------	-----------

China RoHS 2 Directive MIIT Order No 32, 2016	No Restricted Materials Above Threshold
---	---

EU REACH Regulation (EC) No. 1907/2006	Current ECHA Candidate List: JUNE 2022 (224) Candidate List Declared Against: JAN 2022 (223) SVHC > Threshold: Not Yet Reviewed
--	--

Halogen Content	Low Halogen - Br, Cl, F, I < 900 ppm per homogenous material. Also BFR/CFR/PVC Free
-----------------	---

Solder Process Capability	Not applicable for solder process capability
---------------------------	--

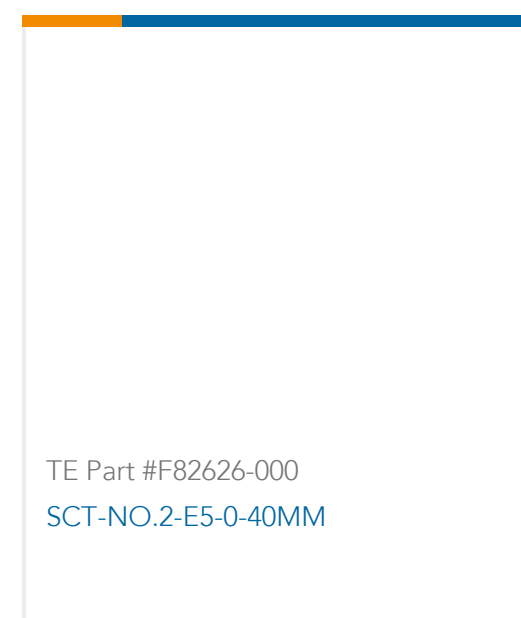
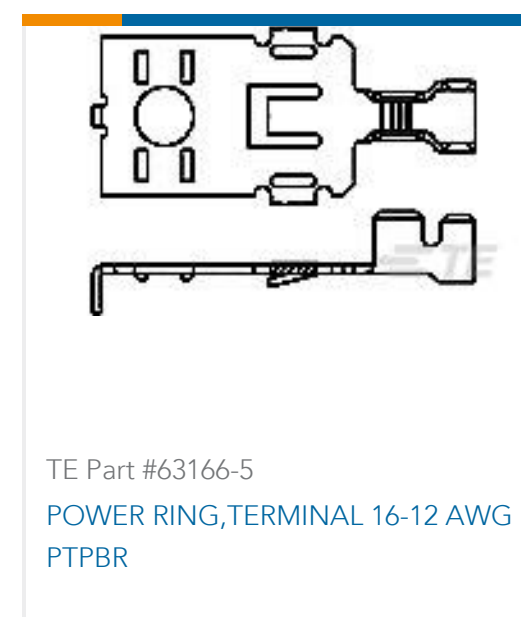
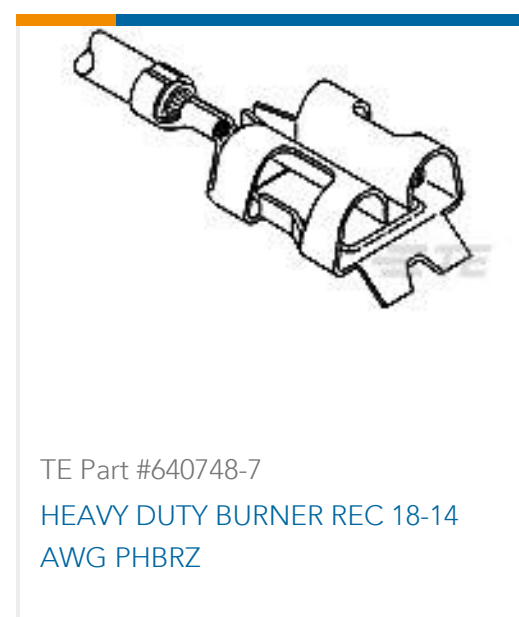
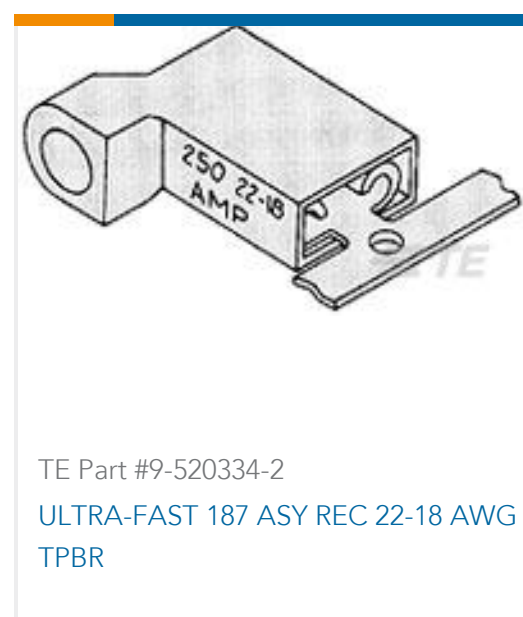
#### Product Compliance Disclaimer

This information is provided based on reasonable inquiry of our suppliers and represents our current actual knowledge based on the information they provided. This information is subject to change. The part numbers that TE has identified as EU RoHS compliant have a maximum concentration of 0.1% by weight in homogenous materials for lead, hexavalent chromium, mercury, PBB, PBDE, DBP, BBP, DEHP, DIBP, and 0.01% for cadmium, or qualify for an exemption to these limits as defined in the Annexes of Directive 2011/65/EU (RoHS2). Finished electrical and electronic equipment products will be CE marked as required by Directive 2011/65/EU. Components may not be CE marked. Additionally, the part numbers that TE has identified as EU ELV compliant have a maximum concentration of 0.1% by weight in homogenous materials for lead, hexavalent chromium, and mercury, and 0.01% for cadmium, or qualify for an exemption to these limits as defined in the Annexes of Directive 2000/53/EC (ELV). Regarding the REACH Regulation, the information TE provides on SVHC in articles for this part number is based on the latest European Chemicals Agency (ECHA) 'Guidance on requirements for substances in articles' posted at this URL: <https://echa.europa.eu/guidance-documents/guidance-on-reach>

### Compatible Parts



## Customers Also Bought



## Documents

### Product Drawings

POWER RING, TERMINAL 16-12 AWG BR

English

### CAD Files

3D PDF

3D

Customer View Model

ENG\_CVM\_CVM\_63166-4\_W1.2d\_dxf.zip



English

**Customer View Model**

[ENG\\_CVM\\_CVM\\_63166-4\\_W1.3d\\_igs.zip](#)

English

**Customer View Model**

[ENG\\_CVM\\_CVM\\_63166-4\\_W1.3d\\_stp.zip](#)

English

By downloading the CAD file I accept and agree to the [Terms and Conditions](#) of use.

---

## Product Specifications

**Product Specification**

English

**Power Ring, Housing and Terminal Assemblies**

Japanese

**Product Specification**

Japanese

**Power Ring, Housing and Terminal Assemblies**

English

**Product Specification**

English

---

## Product Environmental Compliance

**TE Material Declaration**

English