

626028-4 ✓ ACTIVE

TE Internal #: 626028-4

Ring Terminals & Spade Terminals, Ring Tongue, 20 – 15 AWG

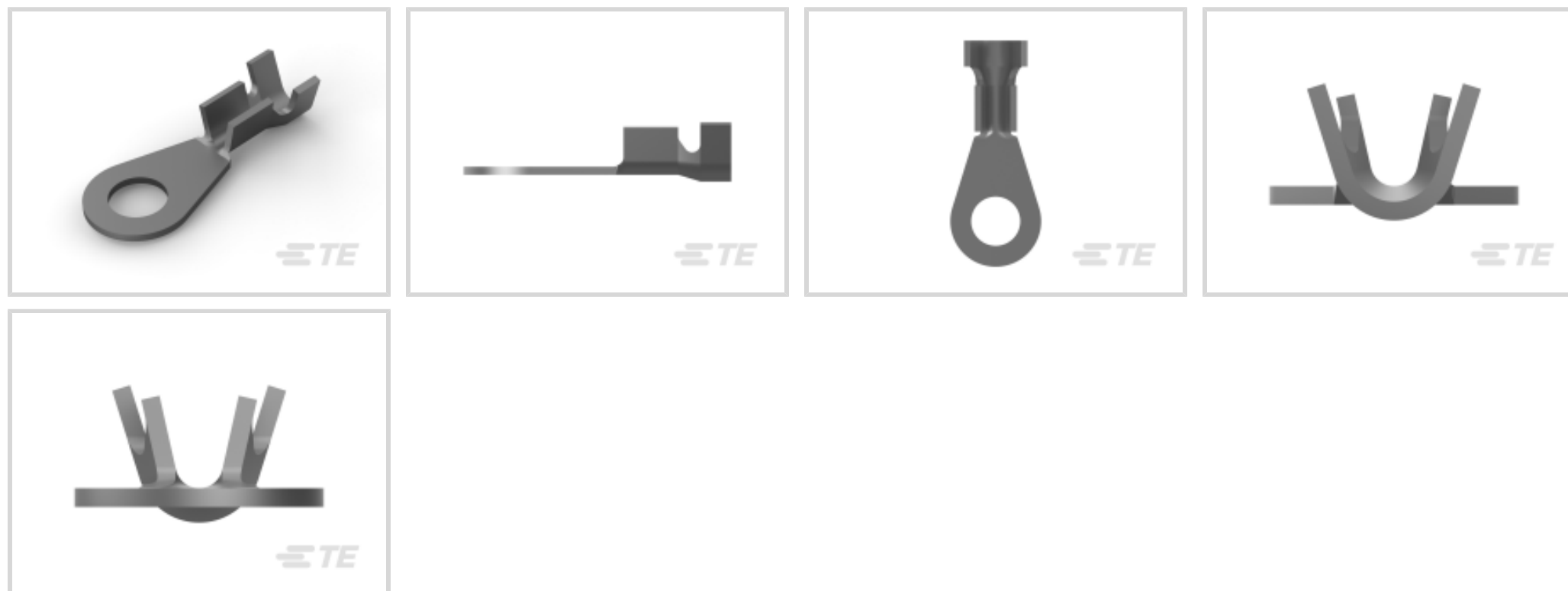
Wire Size, .5 – 1.65 mm<sup>2</sup> Wire Size, 1021 – 3256 CMA Wire Size,

Stud Size M4 / #8

[View on TE.com >](#)



Terminals & Splices > Ring Terminals & Spade Terminals



Ring & Spade Terminal Type: **Ring Tongue**

Wire Size: **1021 – 3256 CMA**

Stud Size: **#8, M4**

## Features

### Product Type Features

Terminal Features	Sheared
Shape Description	RING-001
Stud Size	#8, M4
Sealable	No
Compatible With Discrete Wire Type	Stranded
Wire Insulation Support Retention Type	Insulation Support

### Configuration Features

Number of Holes	1
Terminal Angle	180 °

### Body Features

Inspection Slot	No
Weight per Piece	.605 g

### Contact Features

Ring & Spade Terminal Type	Ring Tongue
Barrel Type	Open
Terminal Orientation	Straight



Terminal Plating Material	Tin
---------------------------	-----

### Mechanical Attachment

Wire Insulation Support	With
-------------------------	------

### Dimensions

Wire Size	1021 – 3256 CMA
-----------	-----------------

Stud Diameter	4.3 mm[.169 in]
---------------	-----------------

Tongue Thickness	.6 mm[.023 in]
------------------	----------------

Overall Product Length	19.8 mm[.779 in]
------------------------	------------------

Barrel Inside Diameter	1.65 mm, 2.92 mm[.065 in][.114 in]
------------------------	------------------------------------

Accepts Wire Insulation Diameter (Max)	3.1 mm[.122 in]
--	-----------------

Accepts Wire Insulation Diameter Range	1.78 – 3.05 mm[.075 – .122 in]
--	--------------------------------

### Usage Conditions

Insulation Option	Uninsulated
-------------------	-------------

Operating Temperature Range	-40 – 105 °C[-40 – 221 °F]
-----------------------------	----------------------------

### Operation/Application

Compatible With Wire Base Material	Copper
------------------------------------	--------

Heavy Duty	No
------------	----

### Industry Standards

Government Qualified	No
----------------------	----

### Packaging Features

Packaging Quantity	10000
--------------------	-------

Packaging Method	Strip/Reel
------------------	------------

### Other

Comment	Reeled with interleaving paper strip., Similar to DIN 46225.
---------	--

### Product Compliance

[For compliance documentation, visit the product page on TE.com>](#)

EU RoHS Directive 2011/65/EU	Compliant
------------------------------	-----------

EU ELV Directive 2000/53/EC	Compliant
-----------------------------	-----------

China RoHS 2 Directive MIIT Order No 32, 2016	No Restricted Materials Above Threshold
---	---

EU REACH Regulation (EC) No. 1907/2006	
--	--



Current ECHA Candidate List: JUNE 2022 (224)  
 Candidate List Declared Against: JAN 2022 (223)  
 SVHC > Threshold:  
 Not Yet Reviewed

Halogen Content  
 Low Halogen - Br, Cl, F, I < 900 ppm per homogenous material. Also BFR/CFR/PVC Free

Solder Process Capability  
 Not reviewed for solder process capability

Product Compliance Disclaimer

This information is provided based on reasonable inquiry of our suppliers and represents our current actual knowledge based on the information they provided. This information is subject to change. The part numbers that TE has identified as EU RoHS compliant have a maximum concentration of 0.1% by weight in homogenous materials for lead, hexavalent chromium, mercury, PBB, PBDE, DBP, BBP, DEHP, DIBP, and 0.01% for cadmium, or qualify for an exemption to these limits as defined in the Annexes of Directive 2011/65/EU (RoHS2). Finished electrical and electronic equipment products will be CE marked as required by Directive 2011/65/EU. Components may not be CE marked. Additionally, the part numbers that TE has identified as EU ELV compliant have a maximum concentration of 0.1% by weight in homogenous materials for lead, hexavalent chromium, and mercury, and 0.01% for cadmium, or qualify for an exemption to these limits as defined in the Annexes of Directive 2000/53/EC (ELV). Regarding the REACH Regulation, the information TE provides on SVHC in articles for this part number is based on the latest European Chemicals Agency (ECHA) 'Guidance on requirements for substances in articles' posted at this URL: <https://echa.europa.eu/guidance-documents/guidance-on-reach>

### Compatible Parts



TE Part # 2-2150280-1  
[OCEAN\\_2.0\\_APPLICATOR-E-110F160F](#)



TE Part # 2-2150280-2  
[OCEAN\\_2.0\\_APPLICATOR-E-110F160F](#)



TE Part # 2150280-1  
[OCEAN\\_2.0\\_APPLICATOR-E-110F160F](#)



TE Part # 2150280-2  
[OCEAN\\_2.0\\_APPLICATOR-E-110F160F](#)



**KIT**  
 REPRESENTATION ONLY

TE Part # 7-2150280-7  
[OCEAN\\_2.0\\_SPARE\\_PART\\_KIT-110F160F](#)

### Customers Also Bought



TE Part #173631-7  
070 MLC REC CONT 20-16 GOLD



TE Part #1326032-3  
1.5/2.8 CONNECTOR SYSTEM, RECPT AND TAB



TE Part #2141828-1  
MQS0,63 Sn tab LL unseal. 0,13-0,17



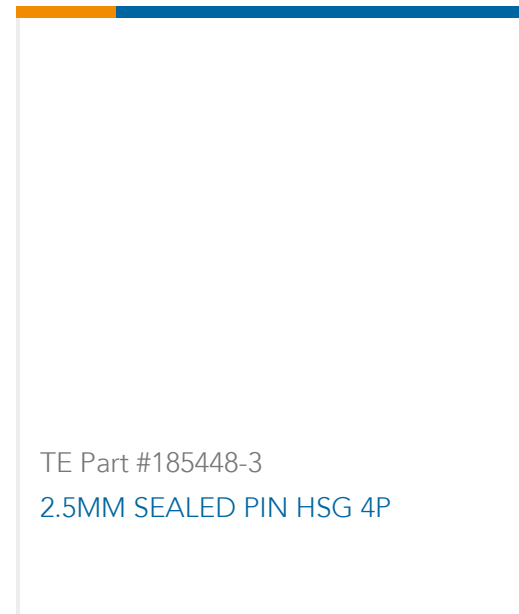
TE Part #YACT26JG16PNV00100  
STRAIGHT PLUG



TE Part #DTS20F21-16SA  
D38999: Square Flange, 21-16 insert



TE Part #1-2236905-1  
NANO TAB 0.5X0.4, TERMINAL



TE Part #185448-3  
2.5MM SEALED PIN HSG 4P



TE Part #1123364-1  
040-3 MLC CAP HSG ASSY 24P

## Documents

### Product Drawings

#### RING TONGUE TERMINAL

English

### CAD Files

#### 3D PDF

3D

#### Customer View Model

[ENG\\_CVM\\_CVM\\_626028-4\\_H.2d\\_dxf.zip](#)

English

#### Customer View Model

[ENG\\_CVM\\_CVM\\_626028-4\\_H.3d\\_igs.zip](#)

English

#### Customer View Model

[ENG\\_CVM\\_CVM\\_626028-4\\_H.3d\\_stp.zip](#)

English

#### Customer View Model

[ENG\\_CVM\\_626028-4\\_K.3d\\_igs.zip](#)

English

#### Customer View Model

[ENG\\_CVM\\_626028-4\\_K.3d\\_stp.zip](#)

English

#### Customer View Model

[ENG\\_CVM\\_626028-4\\_K.2d\\_dxf.zip](#)

English

#### 3D PDF

English



By downloading the CAD file I accept and agree to the [Terms and Conditions](#) of use.

## Product Specifications

### Product Specification

English

### Product Specification

English

### Product Specification

English