

62061-2 ✓ ACTIVE

FASTON | FASTON 110

TE Internal #: 62061-2

PCB Terminals, Tab, Mating Tab Width 2.79 mm [.11 in], PCB Hole

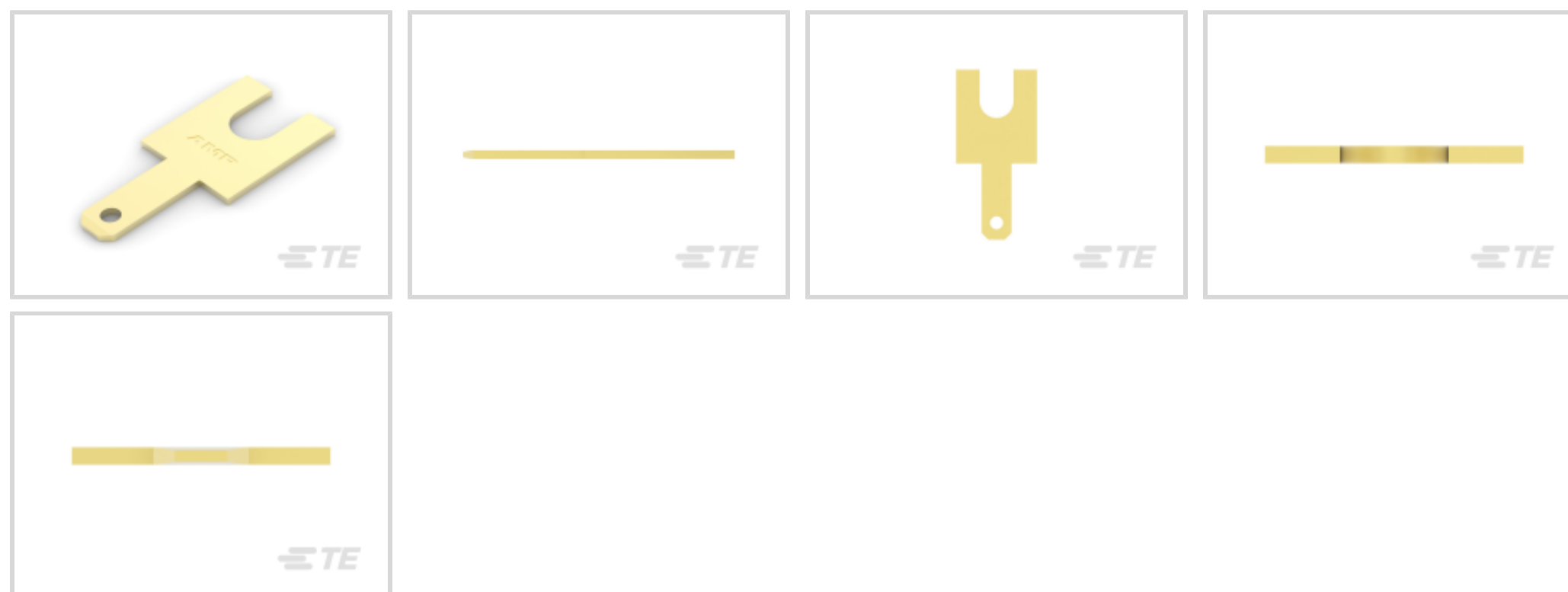
Diameter 3.18 mm [.125 in], Through Hole - Screw, Unplated

Plating, None, FASTON 110

[View on TE.com >](#)



Terminals & Splices > PCB Terminals



PCB Terminal Type: **Tab**

Mating Tab Width: **2.79 mm [.11 in]**

Mating Tab Thickness: **.81 mm [.032 in]**

PCB Hole Diameter: **3.18 mm [.125 in]**

Termination Method to Printed Circuit Board: **Through Hole - Screw**

## Features

### Product Type Features

PCB Terminal Mounting Style	Stud Mount
-----------------------------	------------

### Configuration Features

Stud Hole	Yes
Terminal Angle	180 °

### Contact Features

PCB Terminal Type	Tab
Mating Tab Width	2.79 mm [.11 in]
Mating Tab Thickness	.81 mm [.032 in]
Terminal Plating Material	Unplated
Contact Underplating Material	None
Terminal Size	2.8
Terminal Orientation	Straight

### Termination Features

Termination Method to Printed Circuit Board	Through Hole - Screw
---	----------------------



Product Terminates To	Printed Circuit Board
-----------------------	-----------------------

### Dimensions

Stud Diameter	3.18 mm [.125 in]
PCB Hole Diameter	3.18 mm [.125 in]

### Usage Conditions

Insulation Option	Uninsulated
Operating Temperature Range	-40 – 105 °C [-40 – 221 °F]

### Packaging Features

Packaging Quantity	1000
Packaging Method	Bag

## Product Compliance

For compliance documentation, visit the product page on [TE.com](https://www.te.com)>

EU RoHS Directive 2011/65/EU	Compliant
EU ELV Directive 2000/53/EC	Compliant
China RoHS 2 Directive MIIT Order No 32, 2016	No Restricted Materials Above Threshold
EU REACH Regulation (EC) No. 1907/2006	Current ECHA Candidate List: JUNE 2022 (224) Candidate List Declared Against: JAN 2022 (223) SVHC > Threshold: Not Yet Reviewed
Halogen Content	Low Halogen - Br, Cl, F, I < 900 ppm per homogenous material. Also BFR/CFR/PVC Free
Solder Process Capability	Not applicable for solder process capability

#### Product Compliance Disclaimer

This information is provided based on reasonable inquiry of our suppliers and represents our current actual knowledge based on the information they provided. This information is subject to change. The part numbers that TE has identified as EU RoHS compliant have a maximum concentration of 0.1% by weight in homogenous materials for lead, hexavalent chromium, mercury, PBB, PBDE, DBP, BBP, DEHP, DIBP, and 0.01% for cadmium, or qualify for an exemption to these limits as defined in the Annexes of Directive 2011/65/EU (RoHS2). Finished electrical and electronic equipment products will be CE marked as required by Directive 2011/65/EU. Components may not be CE marked. Additionally, the part numbers that TE has identified as EU ELV compliant have a maximum concentration of 0.1% by weight in homogenous materials for lead, hexavalent chromium, and mercury, and 0.01% for cadmium, or qualify for an exemption to these limits as defined in the Annexes of Directive 2000/53/EC (ELV). Regarding the REACH Regulation, the information TE provides on SVHC in articles for this part number is based on the latest European Chemicals Agency (ECHA) 'Guidance on requirements for substances in articles' posted at this URL: <https://echa.europa.eu/guidance-documents/guidance-on-reach>

## Compatible Parts



TE Part # 735187-2  
110 FASTON TAB TPBR



TE Part # 60447-1  
250 FASTON TAB BR



TE Part # 60443-1  
187 FASTON TAB BR



TE Part # 62061-1  
110 FASTON TAB BR



TE Part # 62628-2  
110 FASTON TAB BR



TE Part # 62836-1  
110 FASTON TAB TPBR



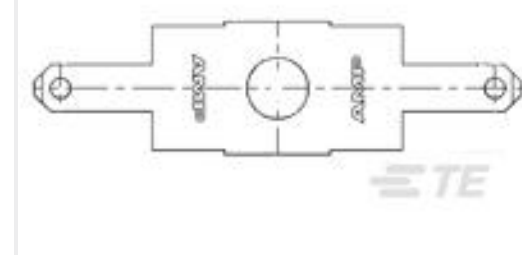
TE Part # 60443-2  
187 FASTON TAB BR



TE Part # 62628-1  
100 FASTON TAB TPST



TE Part # 63633-1  
250 FASTON TAB BR



TE Part # 62629-2  
110 FASTON TAB BR



TE Part # 60447-2  
250 FASTON TAB CRST




TE Part # 60613-1  
205 FASTON TAB BR




TE Part # 60613-2  
205 FASTON TAB BR


## Also in the Series | FASTON 110




Crimp Terminal Housings(17)



Insertion & Extraction Tools(1)



PCB Terminals(21)



Quick Disconnects(173)

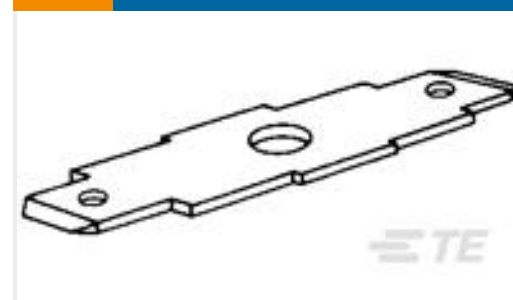
## Customers Also Bought



TE Part #320553  
PIDG R 22-16 COMM 22-18 MIL 4



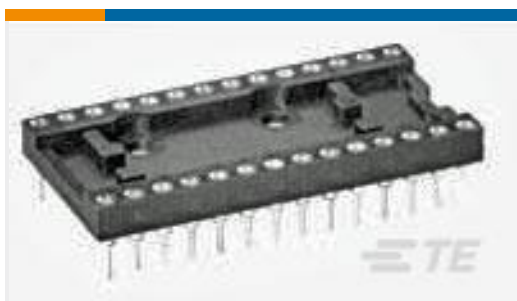
TE Part #2-2299782-1  
8POS,MIXED,REC HSG,ASSY,SLD



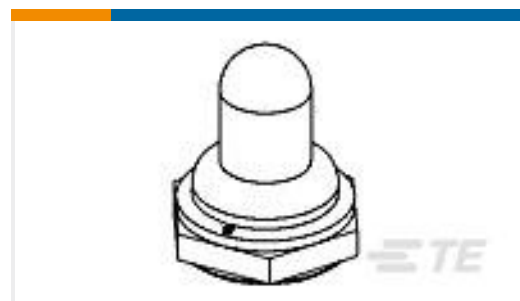
TE Part #60921-1  
205 FASTON SERIES TAB BR



TE Part #6-160316-4  
110 FASTON REC 22-20 AWG TPBR



TE Part #6-1437529-5  
506-AG10D=SOCKET ASSY



TE Part #1825602-1  
B1532004=Boot,Toggle

## Documents

### Product Drawings

#### 110 FASTON TAB BR

English

### CAD Files

#### 3D PDF

3D

#### Customer View Model

[ENG\\_CVM\\_CVM\\_62061-2\\_S.2d\\_dxf.zip](#)

English

#### Customer View Model

[ENG\\_CVM\\_CVM\\_62061-2\\_S.3d\\_igs.zip](#)

English

#### Customer View Model

[ENG\\_CVM\\_CVM\\_62061-2\\_S.3d\\_stp.zip](#)

English

By downloading the CAD file I accept and agree to the [Terms and Conditions](#) of use.

### Datasheets & Catalog Pages

#### FASTON Tabs

English

### Product Specifications

#### Product Specification

English

62061-2

PCB Terminals, Tab, Mating Tab Width 2.79 mm [.11 in], PCB Hole Diameter 3.18 mm [.125 in], Through Hole - Screw, Unplated Plating, None, FASTON 110

